

perfezione & regola d'arte

 **zorzini**  
PORTELLE E CHIUSINI INOX

GENERAL CATALOGUE 2019





W W W . Z O R Z I N I S P A . C O M

## Traceable quality.

Zorzini manufactures stainless steel manways and manholes of all shapes and sizes, highly resistant to pressure, with innovative design and advanced technological solutions.

The quality of all our covers and manways begins with the selection of the best raw material.

All our products undergo strict quality controls, from the first manufacturing steps to final shipment. All these efforts are made in order to guarantee quality, durability and to ensure reliability to customers. All Zorzini products are marked with an identification code allowing traceability at any time and at any step of processing.

# Manways

---

mod. 170	page 10
mod. 170L	page 11
mod. 174/AE	page 12
mod. 180	page 13
mod.180SN	page 14
mod. 190	page 15
mod. 191	page 16
mod. 200N	page 17
mod. 202	page 18
mod. 206	page 19
mod. 200LZD	page 20
mod. 207LZD	page 21
mod. 200LZD/C	page 22
mod. 201/LW	page 23
mod. 201/FLT	page 24
mod. 200PES	page 25
mod. 200PES snodo	page 26
mod. 630	page 27
mod. 200/RP	page 28
mod. 200/R	page 29
mod. N/230/2V	page 30
mod. 210	page 31
mod. 215	page 32
mod. 220	pagina 33
mod. 220/E	page 34
mod. 520	page 35
mod. Z175	page 36
mod. 285	page 37
mod. 295	page 38
mod. 160	page 39
mod. 160/2B	page 40
mod. 165	page 41
mod. 1500	page 42
mod. 1500/AI	page 43
mod. 1600	page 44
mod. 1603	page 45
mod. 1700	page 46



## Manholes

---

mod. 230	page 48
mod. 240	page 49
mod. 250	page 50
mod. 270	page 51
mod. 400/AZ	page 52
mod. N/230	page 53
mod. N/240	page 54
mod. N/300	page 55
mod. N/250	page 56
mod. N/270	page 57
mod. NL/250	page 58
mod. TV/400	page 59
mod. TV/450	page 60
mod. TV/500	page 61
mod. TV/600	page 62
mod. T1/200	page 63
mod. T1/300	page 64
mod. T1/400	page 65
mod. T1/450	page 66
mod. T1/500	page 67
mod. T1/600	page 68
mod. T1/800	page 69
mod. T1A/200	page 70
mod. T1A/300	page 71
mod. T1A/400	page 72
mod. T1A/450	page 73
mod. T1A/500	page 74
mod. T1/A600	page 75
mod. T/400	page 76
mod. T/450	page 77
mod. T/500	page 78
mod. T/600	page 79
mod. T1/G400	page 80
mod. T1/G450	page 81
mod. T1/G500	page 82
mod. 235	page 83
mod. 245	page 84
mod. 255	page 85
mod. 275	page 86
mod. 3V/200	page 87
mod. 3V/300	page 88
mod. 4V/400	page 89
mod. N/240/4V	page 90
mod. 5V/450	page 91
mod. 6V/250	page 92
mod. 6V/500	page 93
mod. 8V/600	page 94
mod. 10V/800	page 95

## Pressure manhole covers

---

mod. 300L/E	page 98
mod. 400L/E	page 99
mod. 450L/E	page 100
mod. 500L/E	page 101
mod. 600L/E	page 102
mod. 300L	page 103
mod. 400L	page 104
mod. 450L	page 105
mod. 500L	page 106
mod. 600L	page 107
mod. 300P	page 108
mod. 400P	page 109
mod. 450P	page 110
mod. 500P	page 111
mod. 600P	page 112

## Manways and Manholes for fiberglass-tanks

---

mod. 14/L	page 114
mod. 50	page 115
mod. 1400	page 116
mod. 60	page 117
mod. 70	page 118
mod. 80	page 119
mod. 90	page 120
mod. 100	page 121
mod. N/100	page 122
mod. 110	page 123
mod. 150	page 124
mod. N/150	page 125
mod. C/330 for concrete	page 126

# Accessories

---

## Sampling Valves

mod. 390D	page 128
mod. 390	page 128
mod. 390DN	page 129
mod. 390T	page 129
mod. 410	page 130
mod. 420/SV	page 130
mod. 420	page 131
mod. 430/B	page 131

## Relief Valves

mod. A/10	page 132
mod. A/20	page 133
mod. A/30	page 134
mod. A/40-A/50	page 135

## Safety Grids

Wire grid	page 136
Laser-cut grid	page 136

## Safety pin

mod. SCP	page 137
----------	----------

## Handwheels

mod. MEC/60-MEC60A-MEC70-MEC80	page 138
mod. MEC80A-MEC80 inox	page 139
mod. MEC150-MEC150A-MEC151-MEC200	page 140
mod. VI/165-170-VI/Z175A-VI/K-VI/190	page 141
mod. VI/200-VI/260-VI/295	page 142

## Gaskets

mod. G/170-G/EL-G/15-G/480	page 143
mod. G/200LZD-G/200PES-G/630	page 144
mod. G/200R-G/200RP-G/Z175	page 145
mod. G/1500-G/295-G/R165-G/N165	page 146
mod. G/P200-G/AE-G/TR300	page 147
mod. G/TR500-G/6V250-G/NL250	page 148
mod. 400AZ/NL-400AZ/GN-G/T200	page 149
mod. G/T300-G/T400-G/450	page 150
mod. G/N300-G/T500-G/T600	page 151
mod. G/800-G/300P-G/400P	page 152
mod. G/450P-G/500P-G/600P	page 153

*Technical features, weights and performances are non-binding. The company also reserves the right to make the appropriate changes to the products, without obligation of notice.  
The pictures of the catalogue have to be considered as indicative only.  
For everything concerning the declarations and certifications, consult in advance the sales office Zorzini Spa.*



## The production chain.

The production takes place entirely inside the company, allowing a careful monitoring of all the processing steps. Every product is tested using pressure values much higher than normal use and final checks are subject to strict controls. The result is that either the single component or the finished product excel in both reliability and safety.

## Attention to details.

In Zorzini only high quality raw material is used for production.

We master the finest details; no sharp edges, welding conforming to the standards UNI EN 9606-1 2017, mirror finish electropolishing, least roughness (0,6  $\mu\text{m}$ ), monolithic gaskets available in a variety of materials (epdm, nbr, silicon and fkm) and made to fit each single model, without glue.

## Traceable quality.

Zorzini manufactures stainless steel manways and manholes of all shapes and sizes, highly resistant to pressure, with innovative design and advanced technological solutions.

The quality of all our covers and manways begins with the selection of the best raw material. All our products undergo strict quality controls, from the first manufacturing steps to final shipment. All these efforts are made in order to guarantee quality, durability and to ensure reliability to customers. All Zorzini products are marked with an identification code allowing traceability at any time and at any step of processing.

# Certifications

<b>ISO 14001</b>	Zorzini Spa is an ISO 14001:2004 TÜV certified company, respecting the environment.
<b>ISO 9001</b>	The reliability of the entire manufacturing process is guaranteed by the standard ISO 9001-2015.
<b>FDA 21 CFR 177.2600</b>	All polymers and ingredients used for the realization of the compound of the gaskets are suitable, in quality and quantity , for food contact according to the Food and Drug Administration (FDA) regulation 21 CFR 177.2600.
<b>PED 97/23/CE PED 2014/68/EU</b>	Compliance with the requirements of the directive on pressure equipment, certified by TÜV.
<b>1935/2004/EC</b>	The material is harmless for human health as required in 1935/2004/EC.
<b>UNI EN 9606-2017 ASME IX</b>	Conform to the UNI-EN9606-2017 and ASME IX welding norms.

*For everything concerning the declarations and certifications, consult in advance the sales office Zorzini Spa.*

## Zorzini for a better environment.

Zorzini company takes an ethical path to sustainability, environment and territory.

In the name of a sustainable and responsible ethical development, we devote most of our resources to technological investments; software for robotics, new equipment and ongoing research and development to support design changes.

The choice of "Lean Production" improved our quality, flexibility performance and production time.

At Zorzini we take seriously the commitment to the environment.

We are certified ISO Management system as per ISO 14001:2015 and EN ISO 9001:2015 by TÜV.





# Manwaydoors

---

# mod. 170



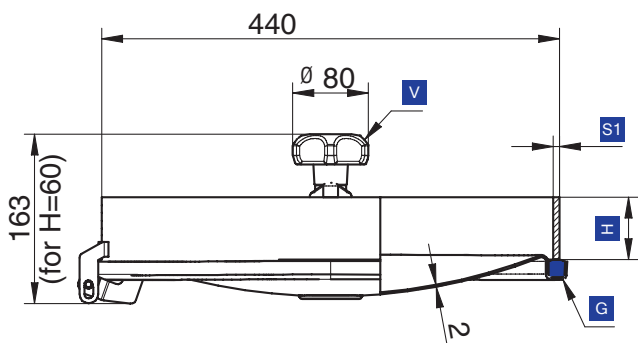
440x320mm - External frame

## Oval manwaydoor, opening inwards

Standard with EPDM gasket G/170 and blue nylon handwheel MEC/80.

Gasket on the cover not glued.

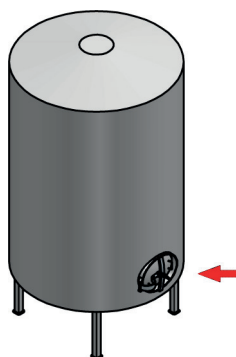
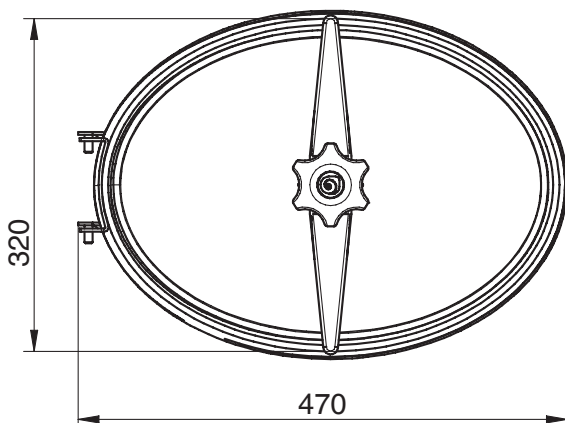
AISI 304L-14307 / AISI 316L-14404



On request:  
 s.s. handle VI/170;  
 s.s. handwheel MEC/80;  
 blue nylon handwheel MEC/150.

- G** Gasket
- H** Frame height
- S1** Thickness
- V** Handwheel

Mod.	H (mm)	S1 (mm)	P. max (bar)	Weight (kg)
170	60	6	1,3	6,4
172	80	6	1,3	7,4
174	60	8	1,3	7,8
176	80	8	1,3	8,8





# mod. 170L



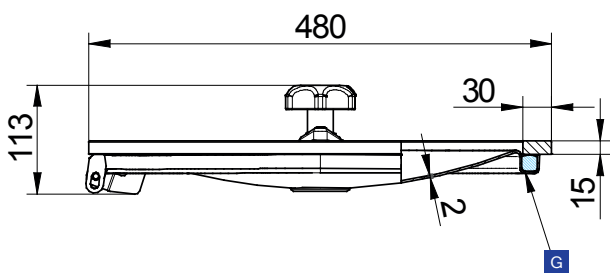
480x360mm - External frame

## Oval manwaydoor, opening inwards

Standard with EPDM gasket G/170 and s.s. handwheel MEC/80.

Gasket on cover not glued.

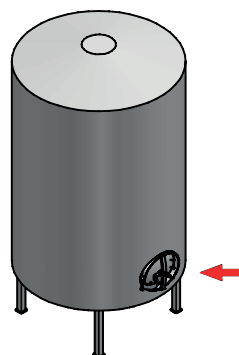
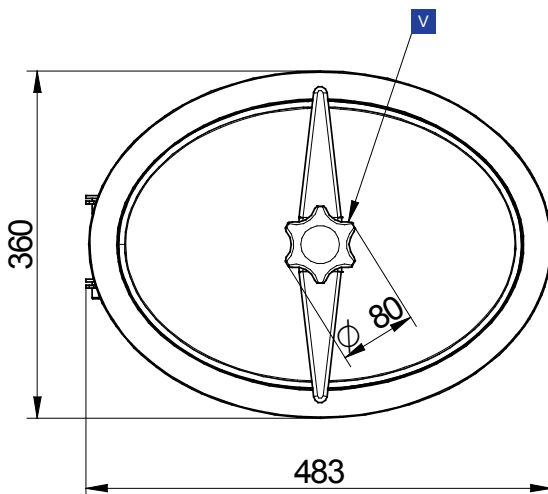
AISI 304L-14307 / AISI 316L-14404



On request:  
blue nylon handwheel MEC/80.

- G** Gasket
- H** Frame height
- V** Handwheel

Mod.	H (mm)	P. max (bar)	Weight (kg)
170L	30x15	1,2	7,5



# mod. 174/AE



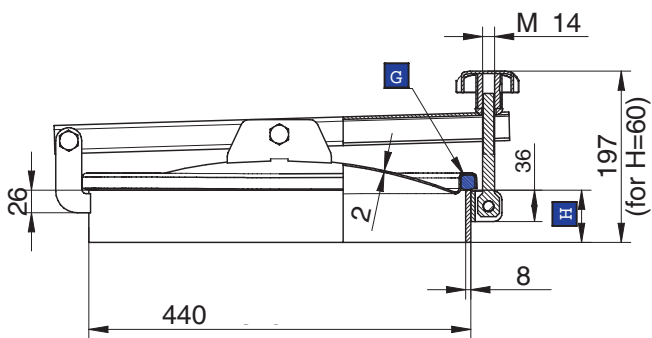
440x320mm - External frame

## Oval manwaydoor, opening outwards

Standard with EPDM gasket G/170 and s.s. handwheel MEC/80.

Gasket on cover not glued.

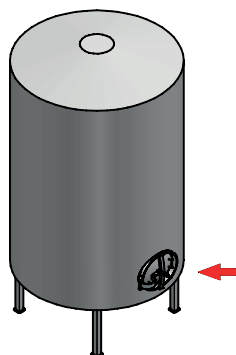
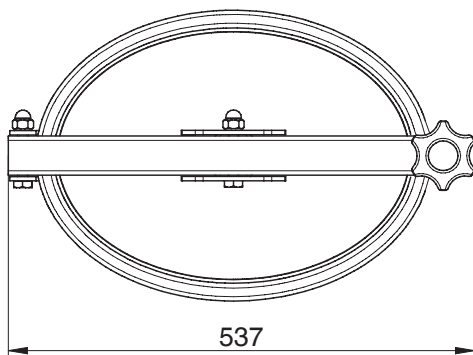
AISI 304L-14307 / AISI 316L-14404



On request:  
blue nylon handwheel MEC/150  
s.s. handle VI/170.

- G Gasket
- H Frame height
- V Handwheel

Mod.	H (mm)	P. max (bar)	Weight (kg)
174/AE	60	0,1	11,5
176/AE	80	0,1	13,5





# mod. 180



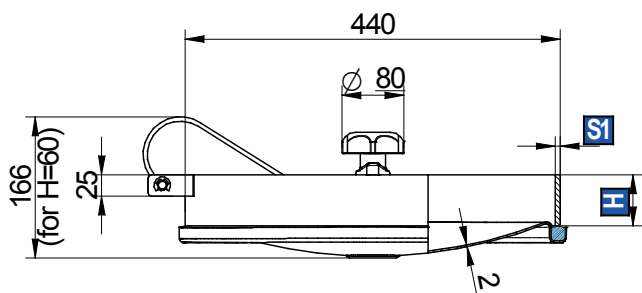
440x320mm - External frame

## Oval manwaydoor, opening inwards

Standard with EPDM gasket G/170 and s.s. handwheel MEC/80.

Gasket on cover not glued.

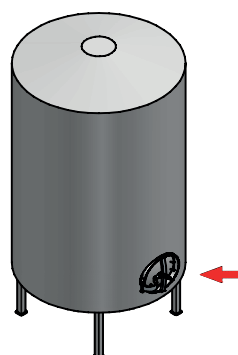
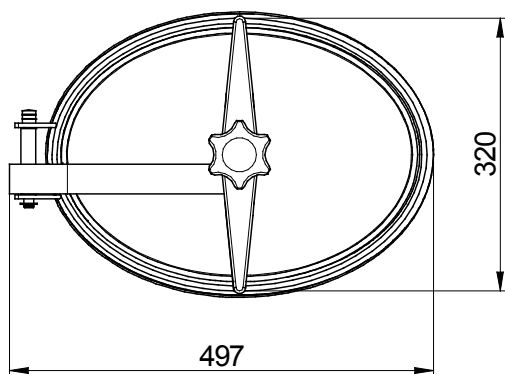
AISI 304L-14307 / AISI 316L-14404



On request:  
s.s. handle VI/165;  
blue nylon handwheel MEC/150

- G** Gasket
- H** Frame height
- S1** Thickness
- V** Handwheel

Mod.	H (mm)	S1 (mm)	P. max (bar)	Weight (kg)
180	60	6	1,3	8,2
182	80	6	1,3	9,3
184	60	8	1,3	9,2
186	80	8	1,3	10,7



# mod. 180SN



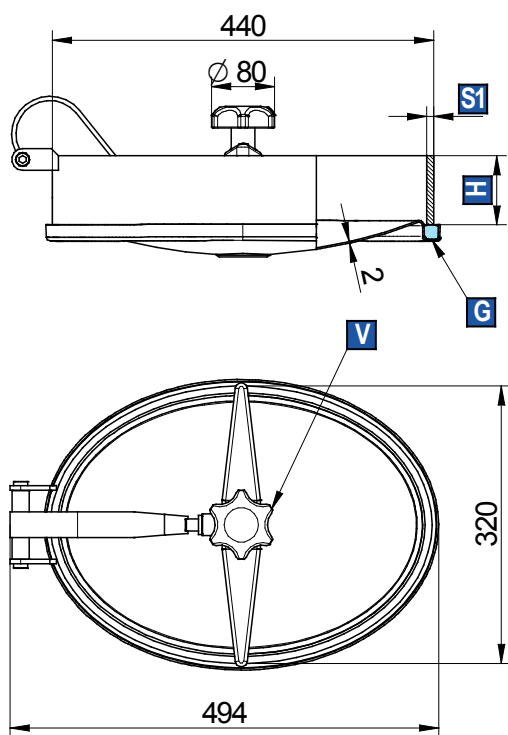
440x320mm - External frame

## Oval manwaydoor, opening inwards and outwards

Standard with EPDM gasket G/170 and s.s. handwheel MEC/80.

Gasket on cover not glued.

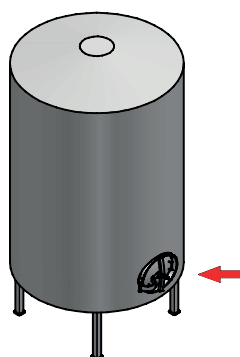
AISI 304L-14307 / AISI 316L-14404



On request:  
s.s. handle VI/170.  
blue nylon handwheel MEC/150

- G** Gasket
- H** Frame height
- S1** Thickness
- V** Handwheel

Mod.	H (mm)	S1 (mm)	P. max (bar)	Weight (kg)
180SN	60	6	1,3	8,4
182SN	80	6	1,3	9,5
184SN	60	8	1,3	9,3
186SN	80	8	1,3	10,8



# mod. 190



542x446mm - External frame

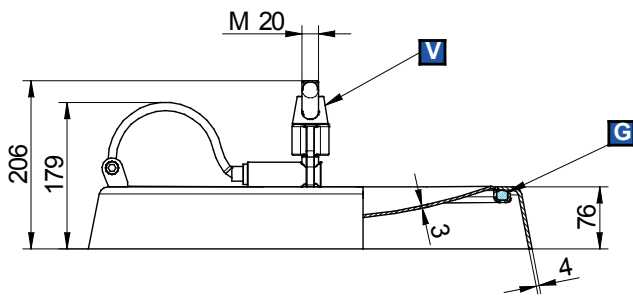
## Oval manwaydoor, opening inwards and outwards

Standard with EPDM gasket G/480 and s.s. handle VI/190.

Gasket on cover not glued.

AISI 304L-14307 / AISI 316L-14404.

Mod. 190 LDX with DUPLEX 14162 lid 2E finish.

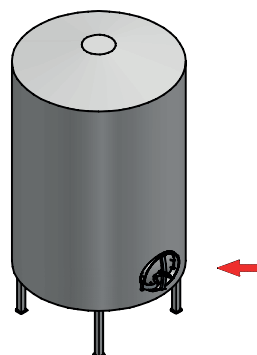
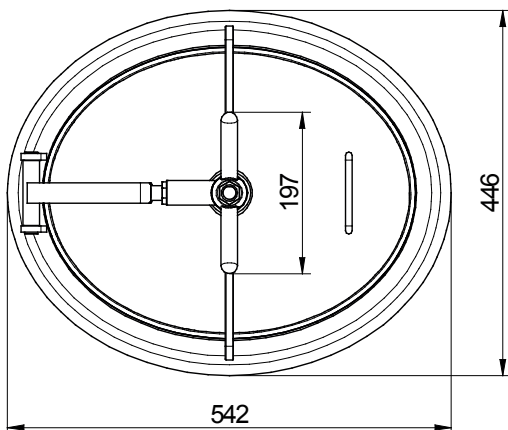


Complying with PED guidelines.

- G Gasket
- V Handwheel

Mod.	P. max (bar)	Weight (kg)
190	2,8	13,0
190 LDX (*)	3,4	13,0

(\*) Mod. with DUPLEX 14162 lid 2E finish



# mod. 191



542×446 mm - External frame

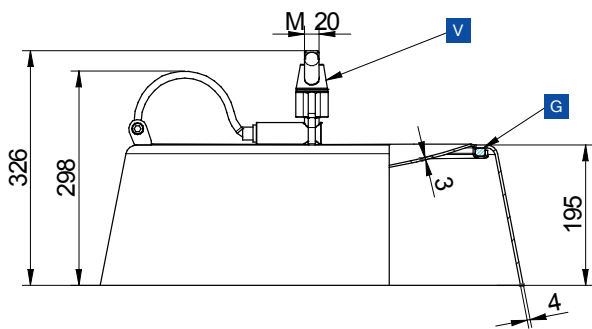
## Oval manwaydoor, opening inwards and outwards

Standard with EPDM gasket G/480 and s.s. handle VI/190.

Gasket on cover not glued.

AISI 304L-14307 / AISI 316L-14404.

Mod. 191 LDX with DUPLEX 14162 lid 2E finish.

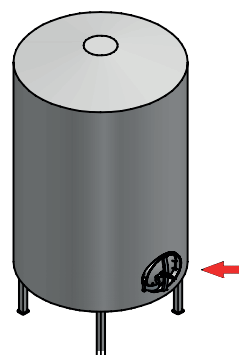
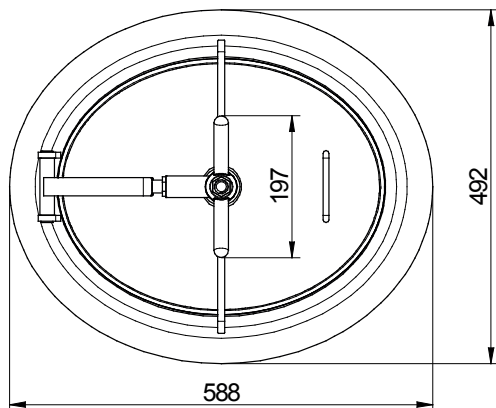


## Complying with PED guidelines.

- G Gasket
- V Handwheel

Mod.	P. max (bar)	Weight (kg)
191	2,7	19,2
191 LDX (*)	3,3	19,2

(\*) Mod. with DUPLEX 14162 lid 2E finish



# mod. 200N



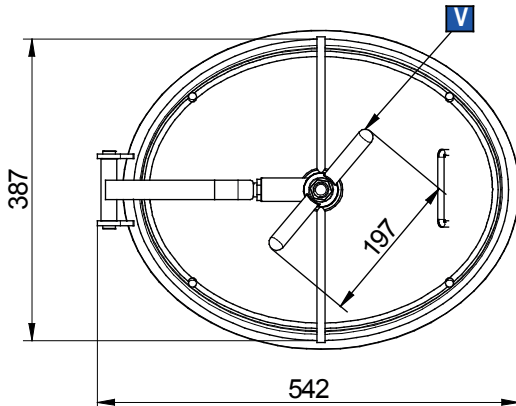
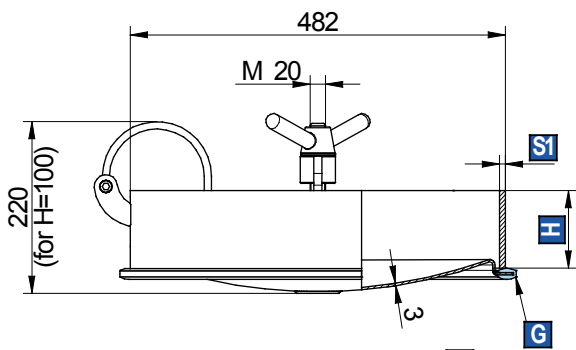
482x387mm - External frame

## Oval manwaydoor, opening inwards and outwards

Standard with EPDM gasket G/15 and s.s. handle VI/190.

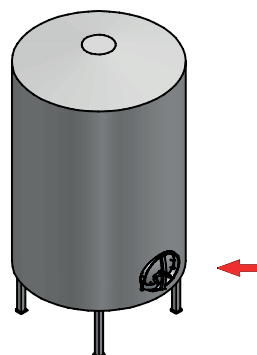
Gasket on cover not glued.

AISI 304L-14307 / AISI 316L-14404.



- G** Gasket
- H** Frame height
- S1** Thickness
- V** Handwheel

Mod.	H (mm)	S1 (mm)	P. max (bar)	Weight (kg)
200N	80	8	2,7	14,8
201N	100	8	2,7	16,5





# mod. 202



490x395mm - External frame

## Oval manwaydoor, opening inwards and outwards

Standard with EPDM gasket G/15 and s.s. handle VI/190.

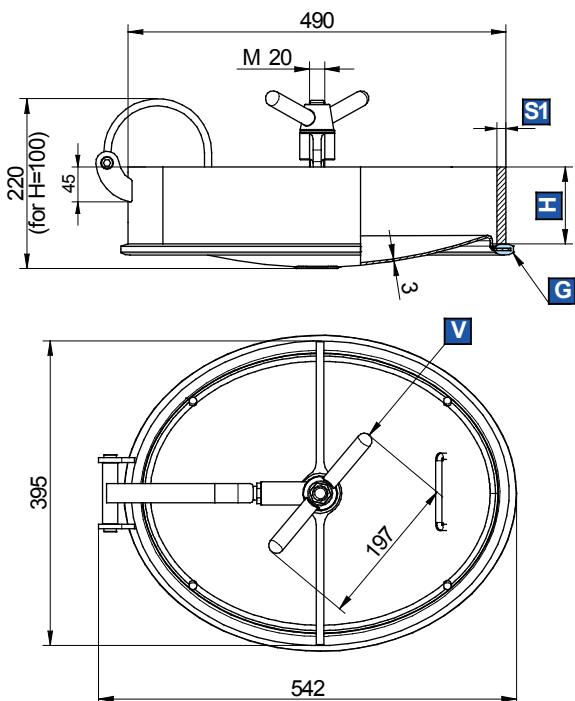
Gasket on cover not glued.

AISI 304L-14307 / AISI 316L-14404.

Mod. 202 LDX - 203 LDX with DUPLEX 14162 lid 2E finish.



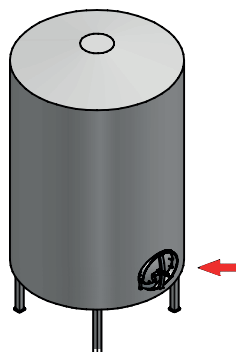
Complying with PED guidelines.



- G** Gasket
- H** Frame height
- S1** Thickness
- V** Handwheel

Mod.	H (mm)	S1 (mm)	P. max (bar)	Weight (kg)
202	80	12	2,7	18,2
203	100	12	2,7	20,8
202 LDX (*)	80	12	4,1	18,2
203 LDX (*)	100	12	4,1	20,8

(\*) Mod. with DUPLEX 14162 lid 2E finish



# mod. 206



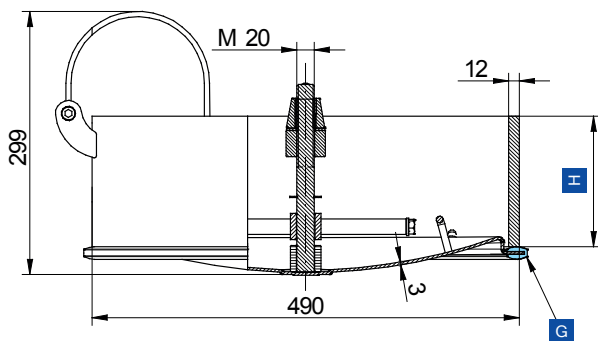
490x395mm - External frame

## Oval manwaydoor, opening inwards and outwards

Standard with EPDM gasket G/15 and s.s. handle VI/190.

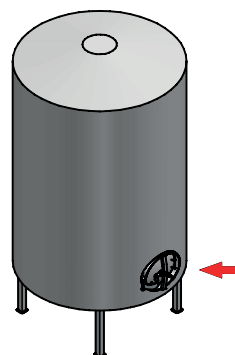
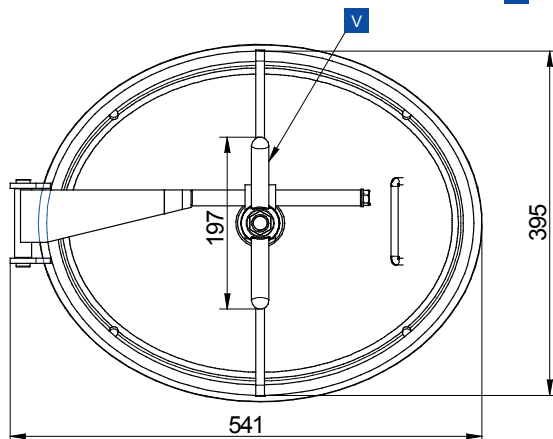
Gasket on cover not glued.

AISI 304L-14307 / AISI 316L-14404.



- G** Gasket
- H** Frame height
- V** Handwheel

Mod.	H (mm)	P. max (bar)	Weight (kg)
206	150	2,7	21,3



# mod. 200LZD



532x432mm - External frame

## Oval manwaydoor, opening inwards and outwards

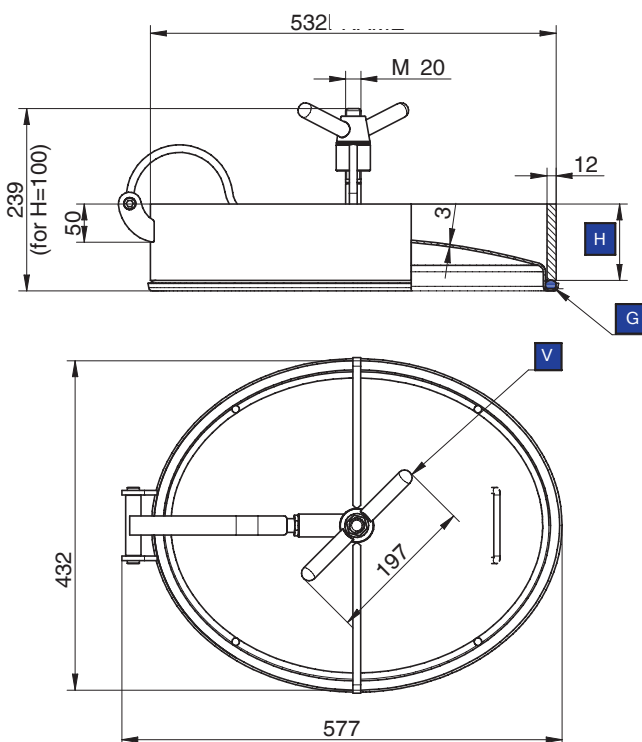
Standard with EPDM gasket G/200/LZD and s.s. handle VI//190.

Gasket on cover not glued.

AISI 304L-14307 / AISI 316L-14404

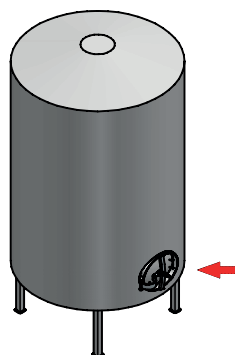


Complying with PED guidelines.



- G** Gasket
- H** Frame height
- V** Handwheel

Mod.	H (mm)	P. max (bar)	Weight (kg)
200LZD	60	4,8	18,4
201LZD	100	4,8	24





# mod. 207LZD



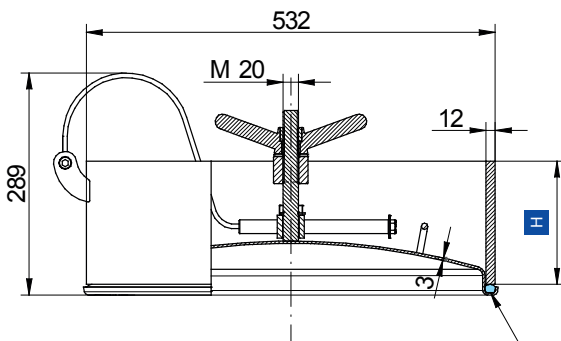
532x432mm - External frame

## Oval manwaydoor, opening inwards and outwards

Standard with EPDM gasket G/200/LZD and s.s. handle VI/190.

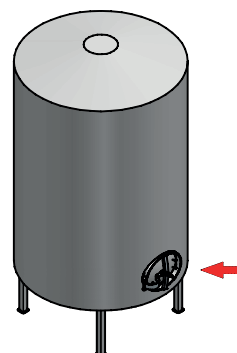
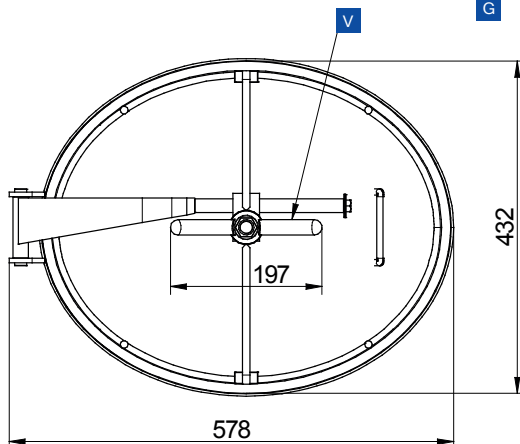
Gasket on cover not glued.

AISI 304L-14307 / AISI 316L-14404.



- G** Gasket
- H** Frame height
- V** Handwheel

Mod.	H (mm)	P. max (bar)	Weight (kg)
207LZD	160	4,8	32,9



# mod. 200LZD/C



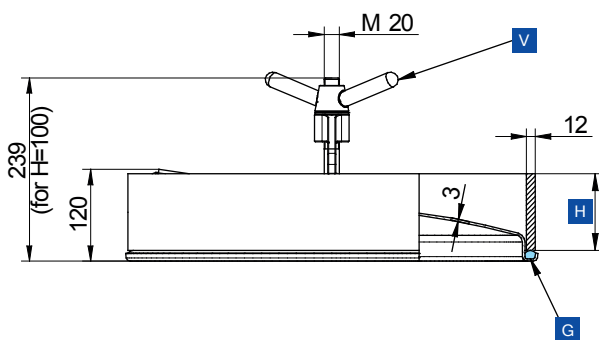
532x432mm - External frame

## Oval manwaydoor with hinge, opening inwards.

Standard with EPDM gasket G/200/LZD and s.s. handle VI/190.

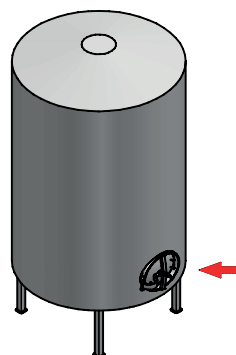
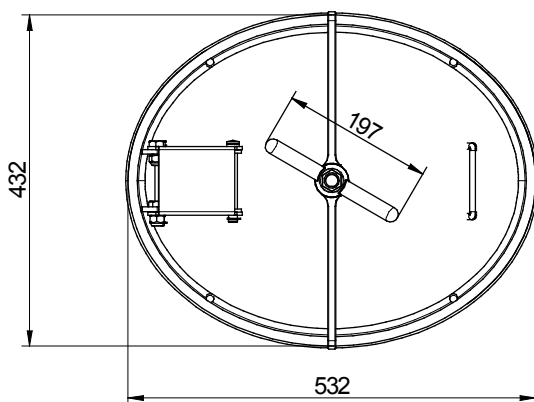
Gasket on cover not glued.

AISI 304L-14307 / AISI 316L-14404.



- G** Gasket
- H** Frame height
- V** Handwheel

Mod.	H (mm)	P. max (bar)	Weight (kg)
200LZD/C	60	4,8	17,9
201LZD/C	100	4,8	23,8



# mod. 201/LW



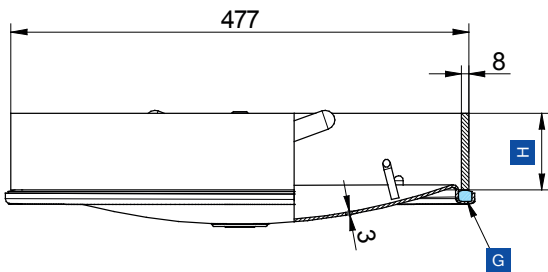
477x378mm - External frame

## Oval manwaydoor with hinge, opening inwards.

Standard with EPDM gasket G/480 and s.s. handle VI/190.

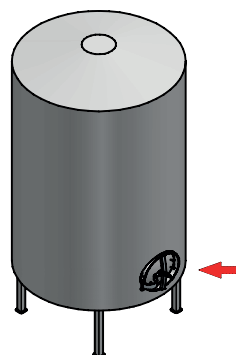
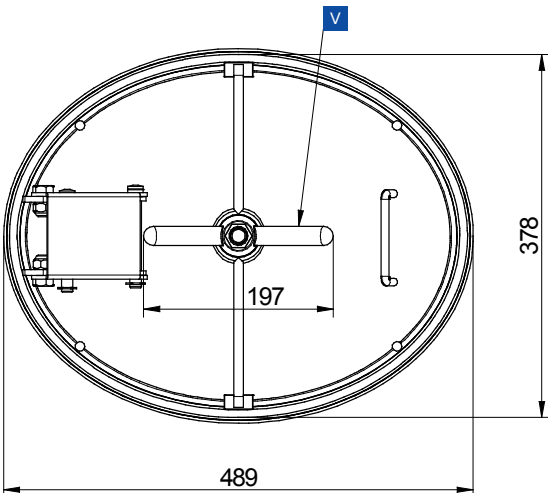
Gasket on cover not glued.

AISI 304L-14307 / AISI 316L-14404.



- G** Gasket
- H** Frame height
- V** Handwheel

Mod.	H (mm)	P. max (bar)	Weight (kg)
201/LW	80	2,7	18,6



# mod. 201FLT



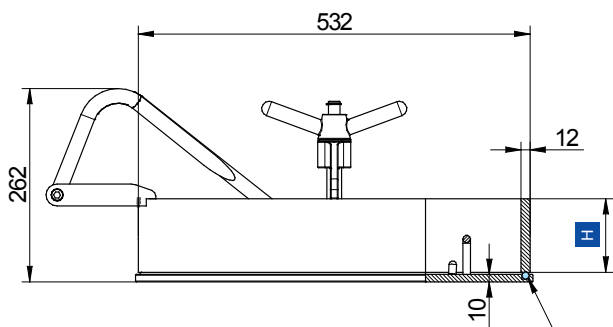
532x432mm - External frame

## Oval manwaydoor, opening inwards and outwards.

Standard with EPDM gasket G/450P and s.s. handle VI/190.

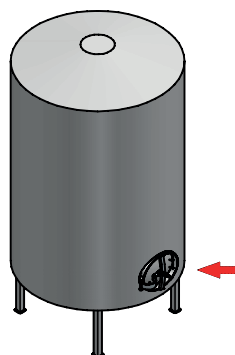
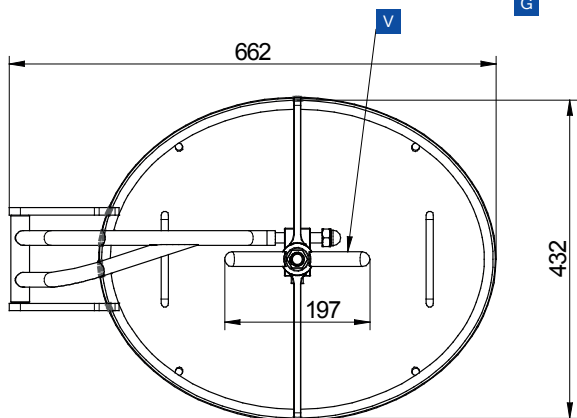
Gasket on cover not glued.

AISI 304L-14307 / AISI 316L-14404.



- G** Gasket
- H** Frame height
- V** Handwheel

Mod.	H (mm)	P. max (bar)	Weight (kg)
201FLT	100	2,3	35,9



# mod. 200PES



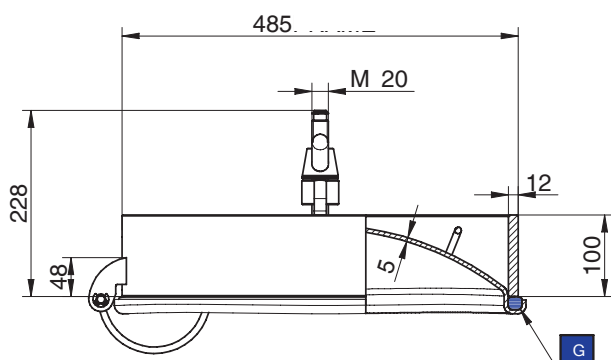
485x395mm - External frame

## Oval manwaydoor, opening inwards.

Standard with EPDM gasket G/200PES and s.s. handle VI/190.

Gasket on cover not glued.

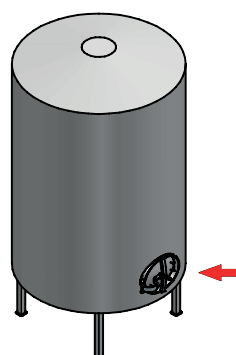
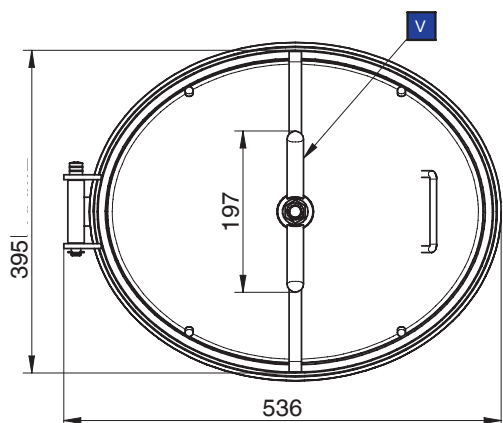
AISI 304L-14307 / AISI 316L-14404.



## Complying with PED guidelines.

- G Gasket
- V Handwheel

Mod.	H (mm)	P. max (bar)	Weight (kg)
200PES	100	9	28





# mod. **200PES** snodo



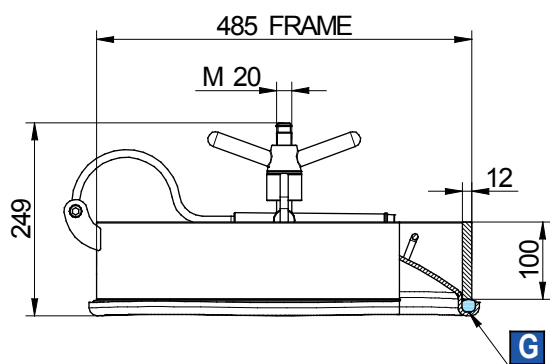
485x395mm - External frame

## Oval manwaydoor, opening inwards and outwards.

Standard with EPDM gasket G/200PES and s.s. handle VI/190.

Gasket on cover not glued.

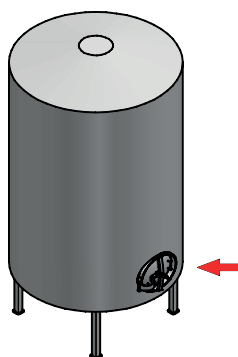
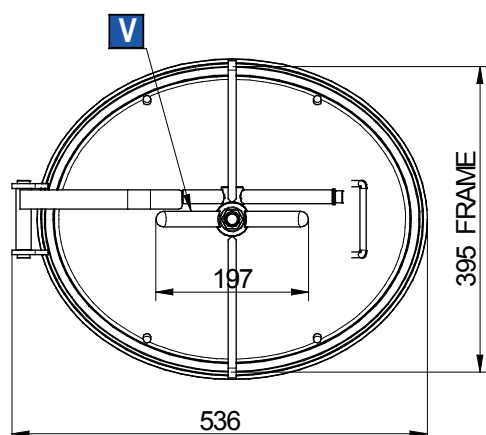
AISI 304L-14307 / AISI 316L-14404



Complying with PED guidelines.

- G Gasket
- V Handwheel

Mod.	H (mm)	P. max (bar)	Weight (kg)
200PES	100	9	29



# mod. 630



658X532mm - External frame

## Oval manwaydoor, opening inwards and outwards.

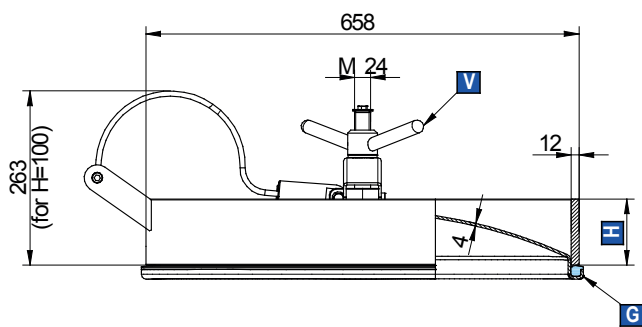
Standard with EPDM gasket G/630 and s.s. handle VI/260.

Gasket on cover not glued.

AISI 304L-14307 / AISI 316L-14404

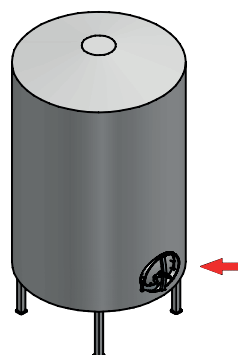
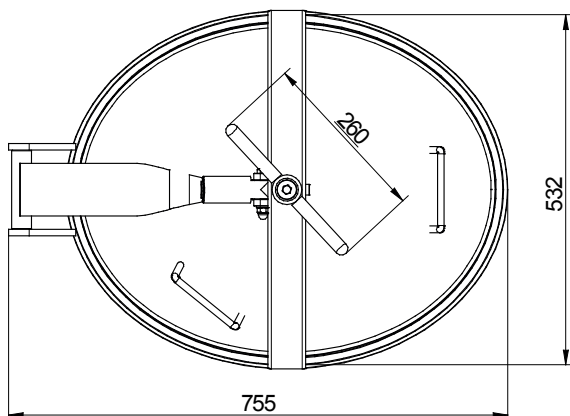


Complying with PED guidelines.



- G** Gasket
- H** Frame height
- V** Handwheel

Mod.	H (mm)	P. max (bar)	Weight (kg)
630	100	4	38
631	160	4	49



# mod. 200RP



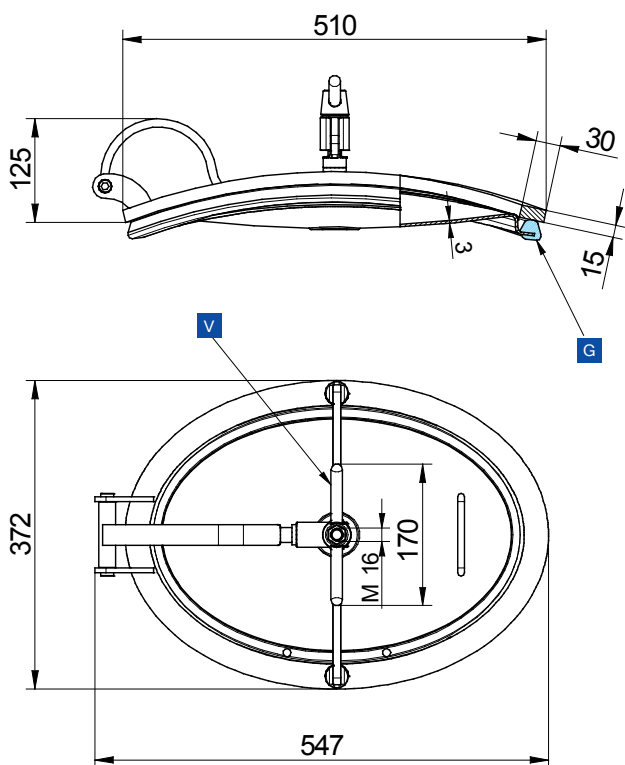
510x370mm - External frame

## Oval manwaydoor, opening inwards and outwards.

Standard with EPDM gasket G/200/RP and s.s. handle VI/165.

Gasket on cover not glued.

AISI 304L-14307 / AISI 316L-14404



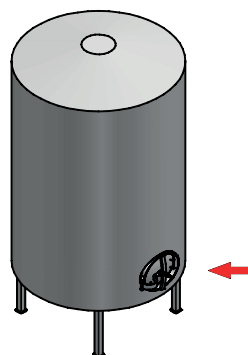
## Complying with PED guidelines.

Size available from Ø 1300 to Ø 4000 mm

On request: blue nylon handwheel MEC/150

- Gasket
- Handwheel

Mod.	H (mm)	P. max (bar)	Weight (kg)
200RP	30X15	3,2	10,5





# mod. 200R



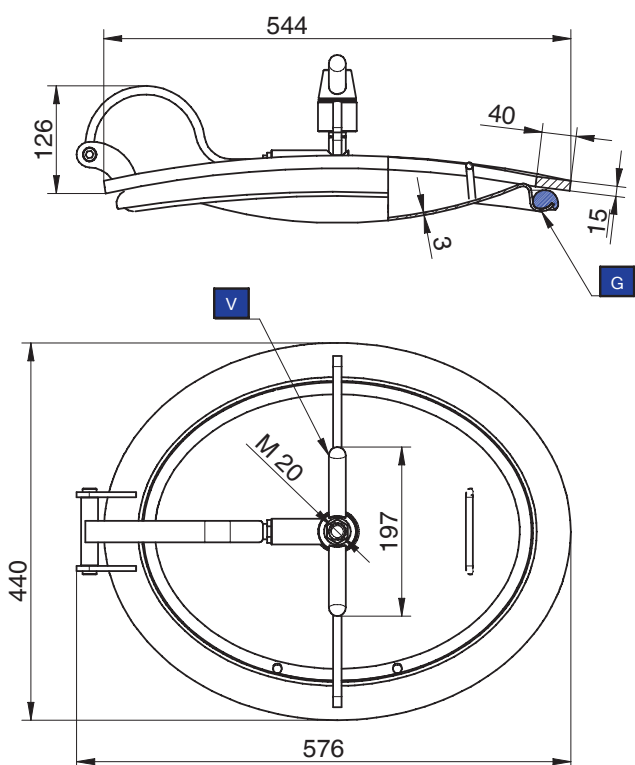
544x440mm - External frame

## Oval manwaydoor, opening inwards and outwards.

Standard with EPDM gasket G/200/R and s.s. handle VI/190.

Gasket on cover not glued.

AISI 304L-14307 / AISI 316L-14404

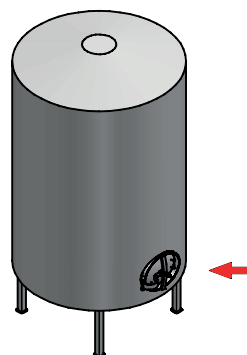


## Complying with PED guidelines.

Size available from Ø 1500 to Ø 4000 mm

- G Gasket
- V Handwheel

Mod.	H (mm)	P. max (bar)	Weight (kg)
200R	40X15	2,8	15,2



# mod. N/230/2V



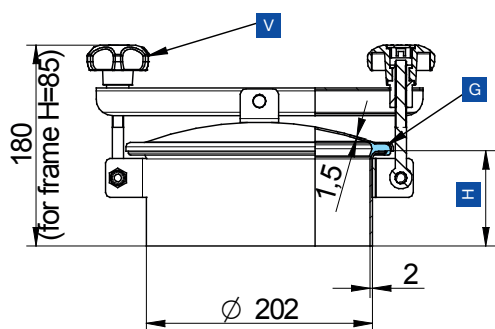
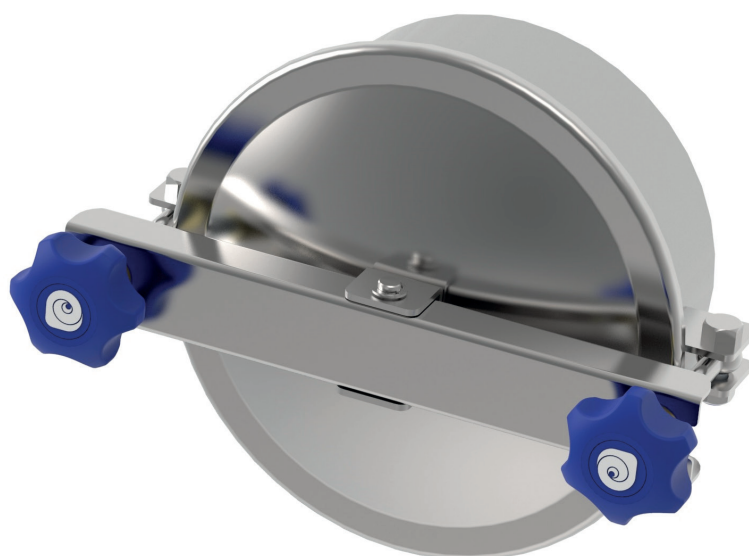
Ø 202mm - External frame

## Round manwaydoor, opening outwards.

Standard with EPDM G/T200 and blue nylon handwheel MEC/60.

Gasket on frame not glued.

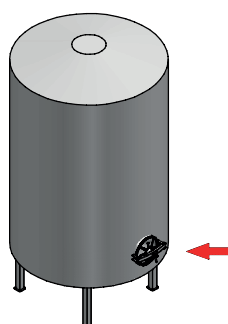
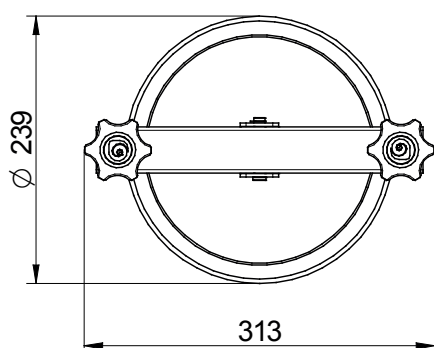
AISI 304L-14307 / AISI 316L-14404



On request:  
s.s handle V/I/295;  
s.s handle MEC/80.

- G** Gasket
- H** Frame height
- V** Handwheel

Mod.	H (mm)	P. max (bar)	Weight (kg)
N/230/2V	85	0,5	2,63
N/231/2V	150	0,5	3,60
N/232/2V	200	0,5	4,34



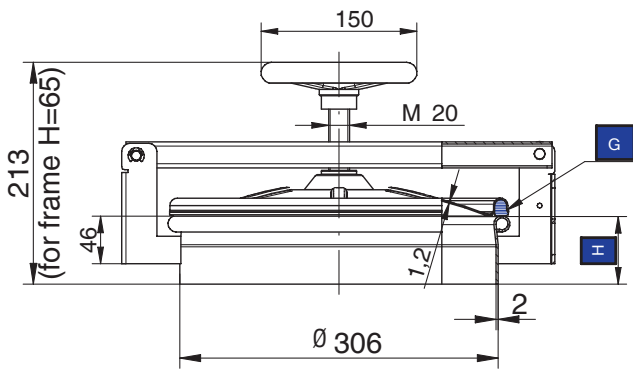
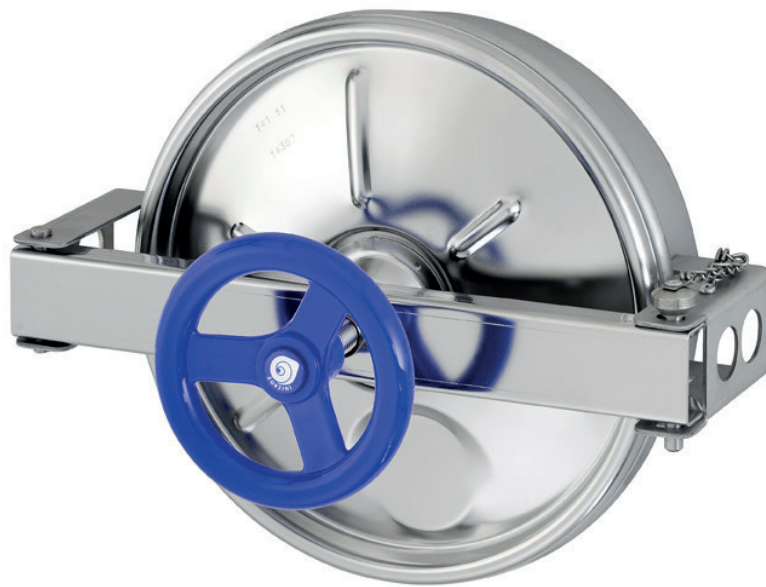
# mod. 210



Ø 306mm - External frame

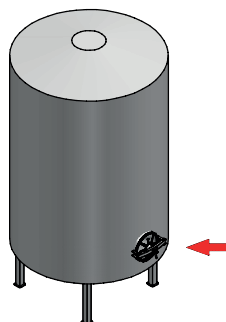
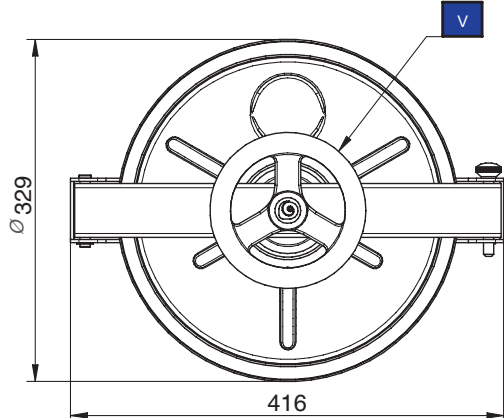
## Round manwaydoor, opening outwards.

Standard with EPDM gasket G/TR300 and blue nylon handwheel MEC/151. Gasket on cover not glued.  
AISI 304L-14307 / AISI 316L-14404



- G** Gasket
- H** Frame height
- V** Handwheel

Mod.	H (mm)	P. max (bar)	Weight (kg)
210	65	0,2	3,6
211	100	0,2	4
212	150	0,2	4,6
213	200	0,2	5,1



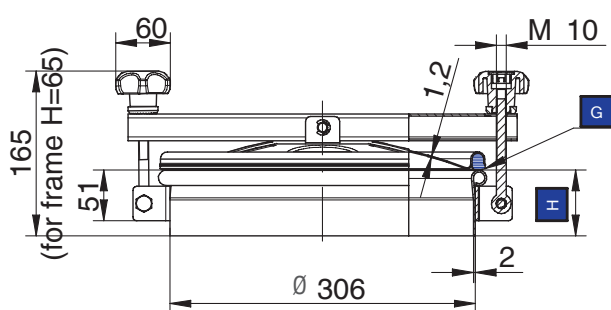
# mod. 215



Ø 306mm - External frame

## Round manwaydoor, opening outwards.

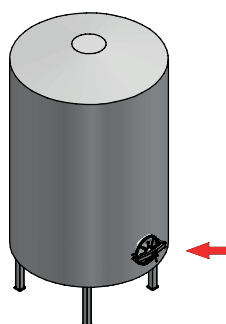
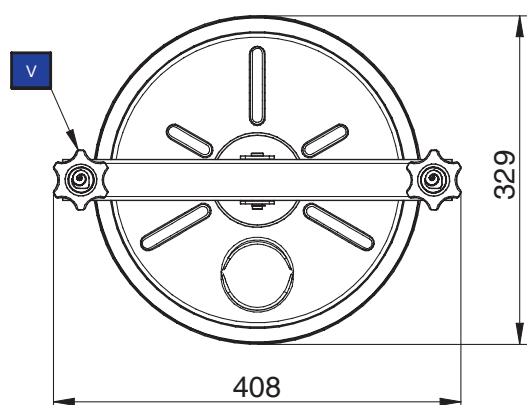
Standard with EPDM gasket G/TR300 and blue nylon handwheel MEC/60. Gasket on cover not glued.  
AISI 304L-14307 / AISI 316L-14404



On request:  
s.s. handle V/I/295.

- G Gasket
- H Frame height
- V Handwheel

Mod.	H (mm)	P. max (bar)	Weight (kg)
215	65	0,2	3,6
216	100	0,2	4
217	150	0,2	4,6
218	200	0,2	5,1



# mod. 220



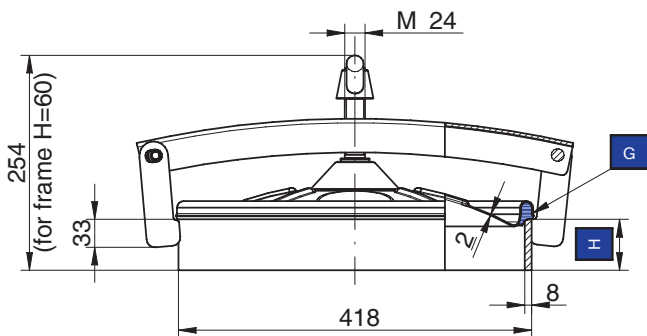
Ø 418mm - External frame

## Round manwaydoor, opening outwards.

Standard with EPDM gasket G/AE and s.s. handle VI/200 with s.s. water drip.

Gasket on cover not glued.

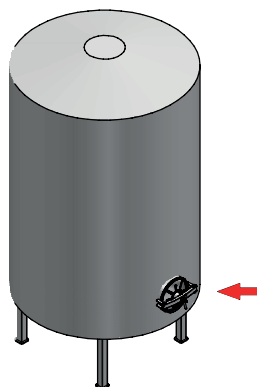
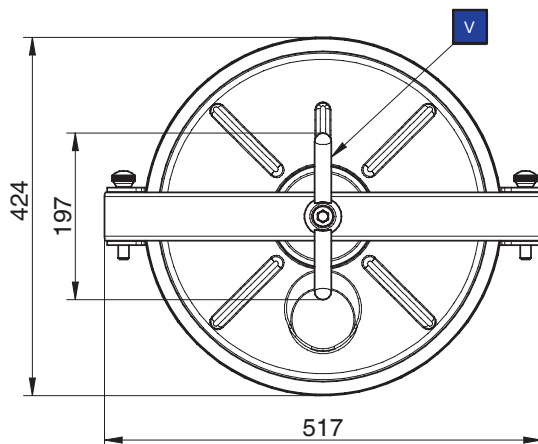
AISI 304L-14307 / AISI 316L-14404



On request:  
blue nylon handwheel MEC/200;  
without water drip.

- G** Gasket
- H** Frame height
- V** Handwheel

Mod.	H (mm)	P. max (bar)	Weight (kg)
220	60	0,6	11,8
222	80	0,6	13,8



# mod. 220/E



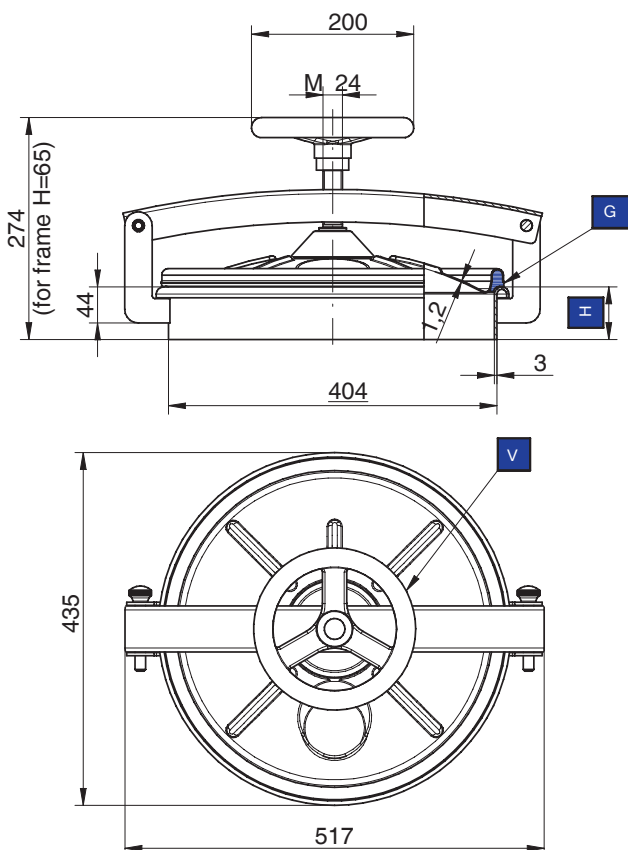
Ø 404mm - External frame

## Round manwaydoor, opening outwards.

Standard with EPDM gasket G/AE and blue nylon handwheel MEC/200 with s.s. water drip.

Gasket on cover not glued.

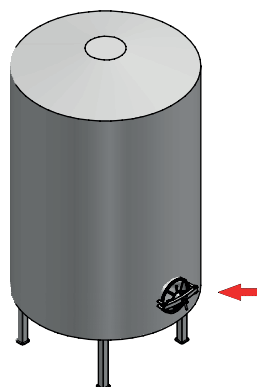
AISI 304L-14307 / AISI 316L-14404



Available also s.s. handle VI/200; without s.s. water drip.

- G** Gasket
- H** Frame height
- V** Handwheel

Mod.	H (mm)	P. max (bar)	Weight (kg)
220E	65	0,1	9
222E	100	0,1	10
223E	150	0,1	11,6
224E	200	0,1	13,3





# mod. 520



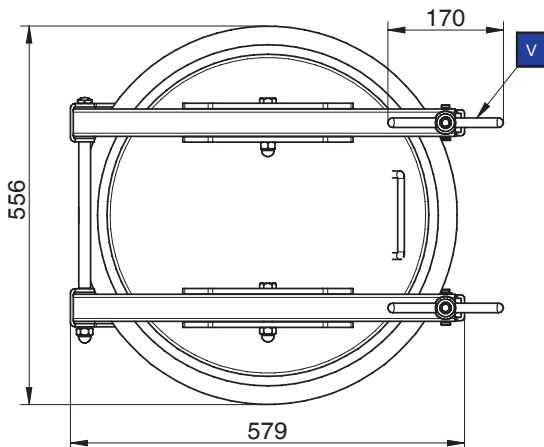
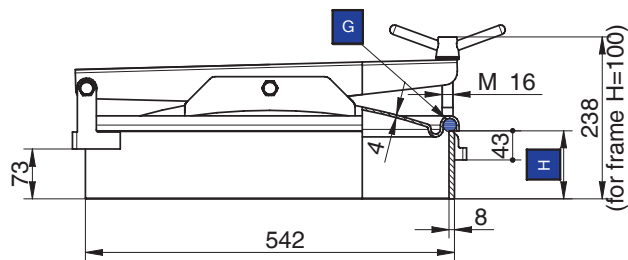
Ø 542mm - External frame

## Round manwaydoor, opening outwards.

Standard with EPDM gasket G/TR500 and and s.s. handle VI/165/A.

Gasket on cover not glued.

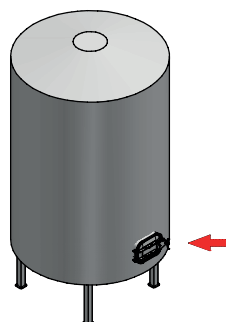
AISI 304L-14307 / AISI 316L-14404



on request:  
blue nylon handwheel MEC/150A.

- G Gasket
- H Frame height
- V Handwheel

Mod.	H (mm)	P. max (bar)	Weight (kg)
520	80	1	31
521	100	1	33



# mod. Z175



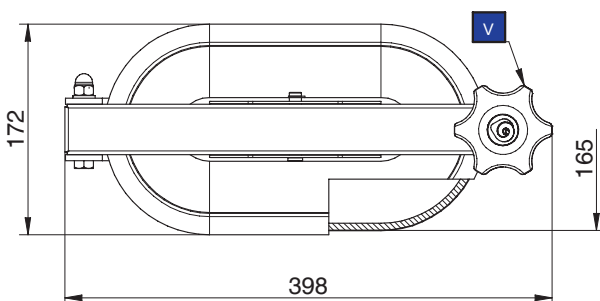
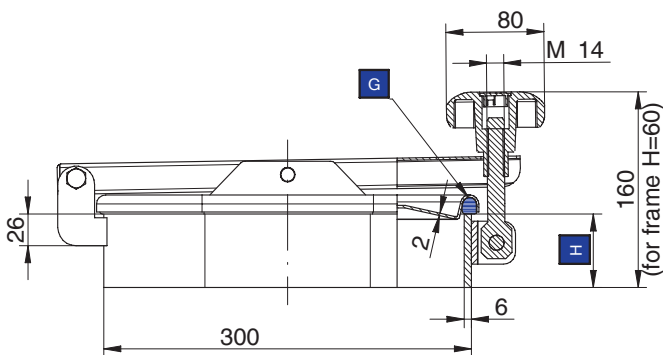
Ø 300X165mm - External frame

## Rectangular manwaydoor, opening outwards.

Standard with EPDM gasket G/Z175 and blue nylon handwheel MEC/80/A.

Gasket on cover not glued.

AISI 304L-14307 / AISI 316L-14404



On request:

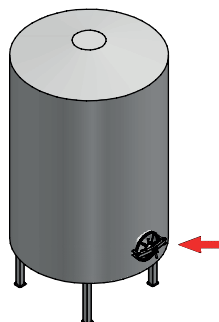
s.s. handwheel MEC/80;

s.s. handle VI/Z175A.

Mod. /K with s.s. handle VI/Z175/K, safety nut and gradual opening system.

- Gasket
- Frame height
- Handwheel

Mod.	H (mm)	P. max (bar)	Weight (kg)
Z/175	60	0,5	4,8
Z/176	100	0,5	6,5
Z/175K	60	0,5	4,9
Z/176K	100	0,5	6,7





# mod. 285



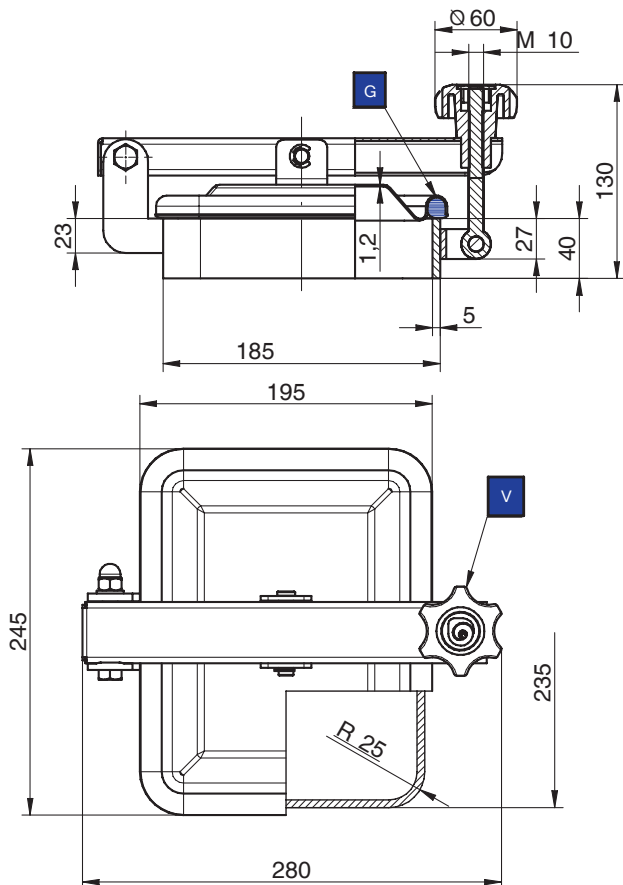
235x185mm - External frame

## Rectangular manwaydoor, opening outwards.

Standard with EPDM gasket G/295 and blue nylon handwheel MEC/60/A.

Gasket on cover not glued.

AISI 304L-14307 / AISI 316L-14404



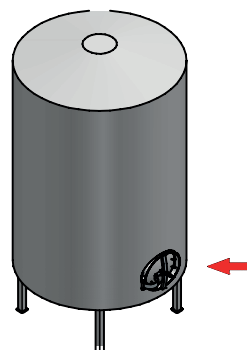
On request:

s.s. handle VI/295/A.

Mod. /K with s.s. handle VI/295/K, safety nut and gradual opening system.

- G Gasket
- V Handwheel

Mod.	H (mm)	P. max (bar)	Weight (kg)
285	40	0,5	3,2



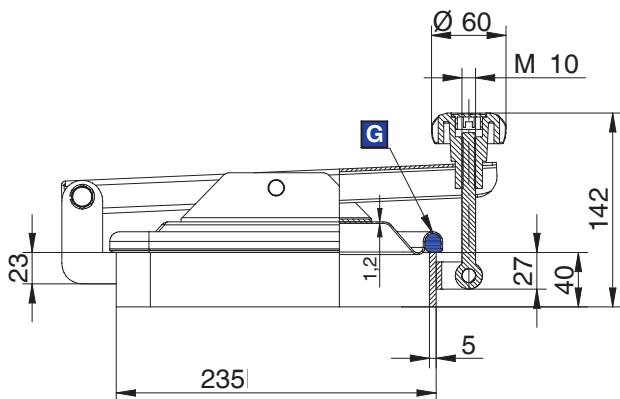
# mod. 295



235x185mm - External frame

## Rectangular manwaydoor, opening outwards.

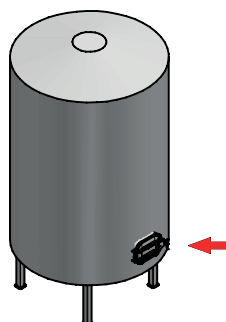
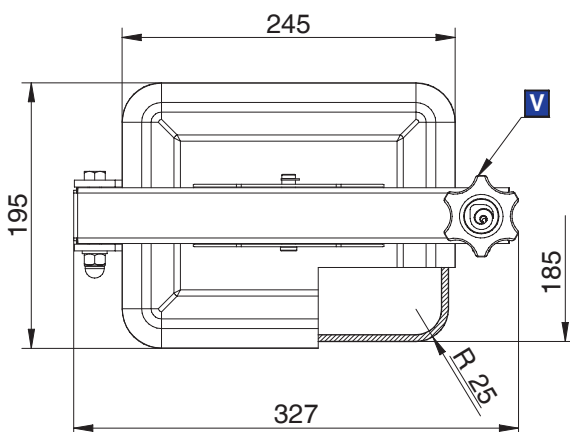
Standard with EPDM gasket G/295 and blue nylon handwheel MEC/60/A. Gasket on cover not glued.  
 AISI 304L-14307 / AISI 316L-14404



On request:  
 s.s. handle VI/295/A.  
 Mod. /K with s.s. handle VI/295/K, safety nut and gradual opening system.

- Gasket
- Handwheel

Mod.	H (mm)	P. max (bar)	Weight (kg)
295	40	0,5	3,2



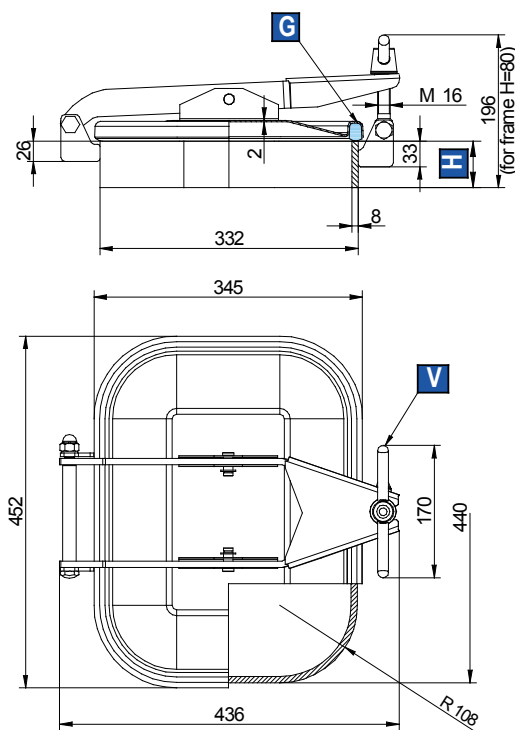
# mod. 160



332x440mm - External frame

## Rectangular manwaydoor, opening outwards.

Standard with EPDM gasket G/R165 and s.s. handle VI/165/A.  
Gasket on cover not glued.  
AISI 304L-14307 / AISI 316L-14404.



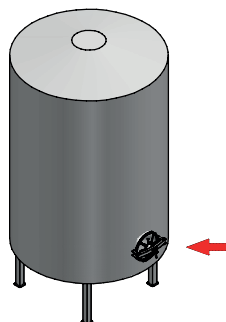
On request:

blue nylon handwheel MEC/150/A,  
s.s. handwheel MEC/80.

Mod. /K: with s.s. handle VI/165/K, safety nut and gradual opening system.

- G** Gasket
- H** Frame height
- V** Handwheel

Mod.	H (mm)	P. max (bar)	Weight (kg)
160	60	0,5	11,5
161	100	0,5	16,8
160K	60	0,5	11,7
161K	100	0,5	17



# mod. 160/2B



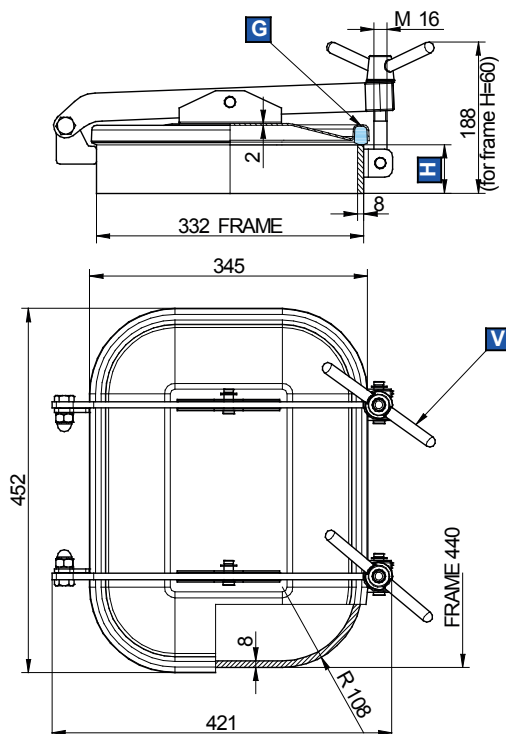
332x440mm - External frame

## Rectangular manwaydoor, opening outwards.

Standard with EPDM gasket G/R165 and s.s. handle VI/165/A.

Gasket on cover not glued.

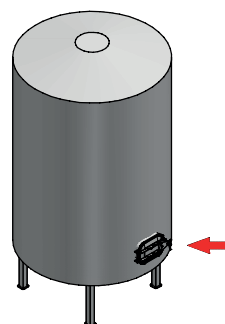
AISI 304L-14307 / AISI 316L-14404.



On request:  
blue nylon handwheel MEC/150/A

- G** Gasket
- H** Frame height
- V** Handwheel

Mod.	H (mm)	P. max (bar)	Weight (kg)
160/2B	60	0/0,6	11,8
161/2B	100	0/0,6	17,1



# mod. 165



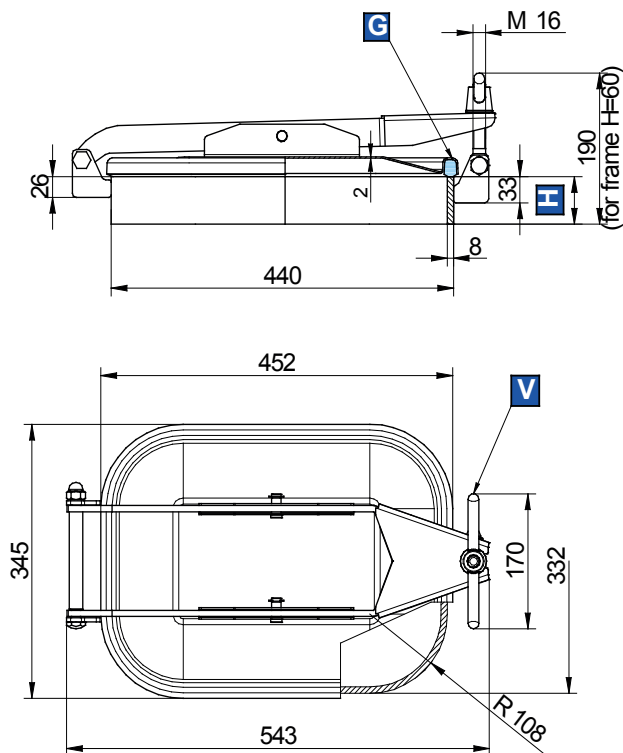
440x332mm - External frame

## Rectangular manwaydoor, opening outwards.

Standard with EPDM gasket G/R165 and s.s. handle VI/165/A.

Gasket on cover not glued.

AISI 304L-14307 / AISI 316L-14404.



On request:

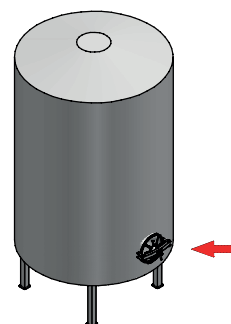
blue nylon handwheel MEC/150/A.

s.s. handwheel MEC/80.

Mod. /K: with s.s. handle VI/165/K, safety nut and gradual opening system.

- G** Gasket
- H** Frame height
- V** Handwheel

Mod.	H (mm)	P. max (bar)	Weight (kg)
165	60	0,5	12,6
166	100	0,5	18
165K	60	0,5	12,8
166K	100	0,5	18,8



# mod. 1500



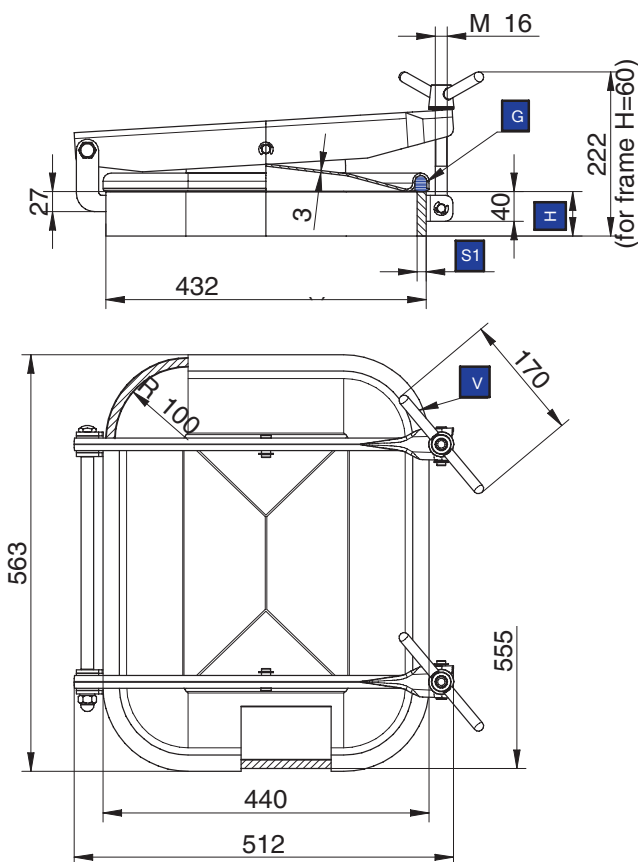
432X555mm - External frame

## Rectangular manwaydoor, opening outwards.

Standard with EPDM gasket G/1500 and s.s.handle VI/165/A.

Gasket on cover not glued.

AISI 304L-14307 / AISI 316L-14404.



On request:

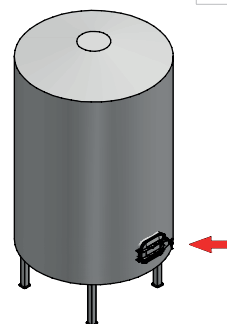
blue nylon handwheel MEC/150/A

Mod.1500/E: s.s.handle VI/165/A.

(\*) size frame economic solution 428x551

- G** Gasket
- H** Frame height
- V** Handwheel

Mod.	S1 (mm)	H (mm)	P. max (bar)	Weight (kg)
1500	12	60	1	24
1501	12	80	1	26
1502	12	100	1	27,2
(*)1500E	8	60	0,6	17,5
(*)1501E	8	80	0,6	18,6
(*)1502E	8	100	0,6	19,7





# mod. 1500/AI



432x555mm - External frame

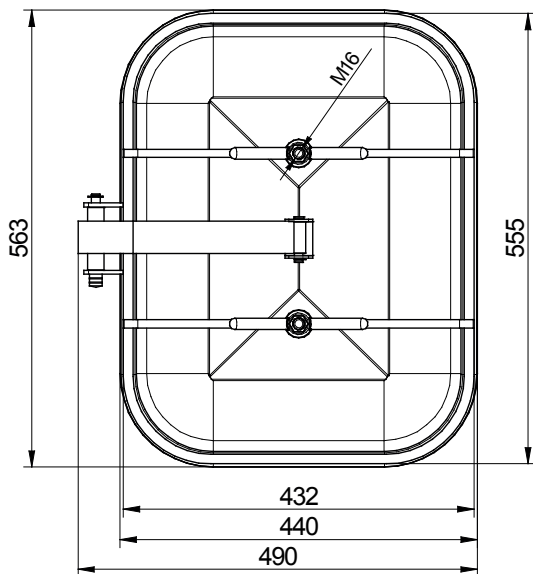
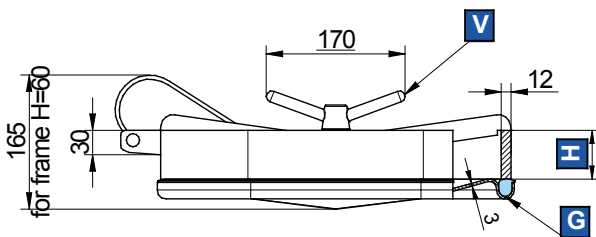
## Rectangular manwaydoor, opening outwards.

Standard with EPDM gasket G/1500 and s.s.handle VI/165/A.

Gasket on cover not glued.

AISI 304L-14307 / AISI 316L-14404.

Mod. 1500AI-1502AI-LDX with DUPLEX 14162 lid 2E finish.

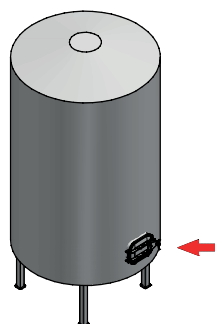


On request:  
blue nylon handwheel MEC/150 BLU  
s.s. handwheel MEC/80.

- G** Gasket
- H** Frame height
- V** Handwheel

Mod.	H (mm)	P. max (bar)	Weight (kg)
1500AI	60	1,2	19,8
1502AI	100	1,2	25
1500AI-LDX (*)	60	1,7	19,8
1502AI-LDX (*)	100	1,7	25

Mod. with DUPLEX 14162 lid 2E finish



# mod. 1600

555x432mm - External frame

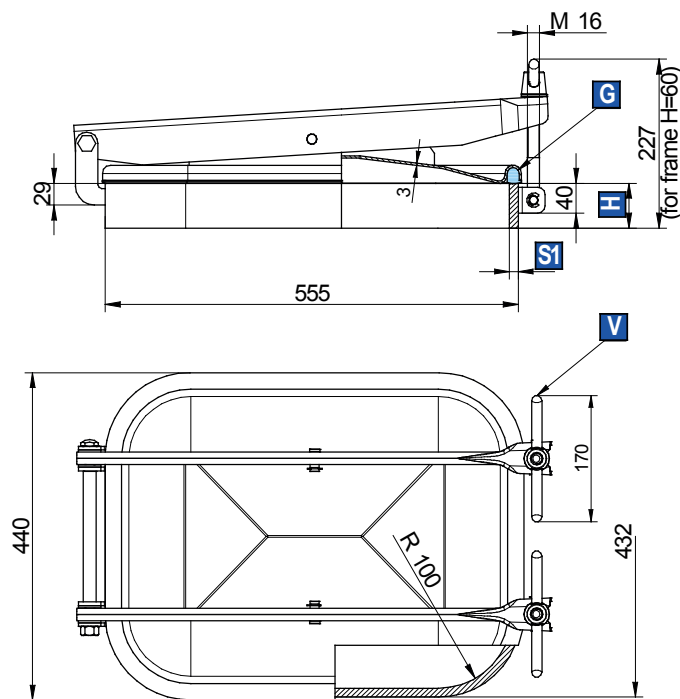


## Rectangular manwaydoor, opening outwards.

Standard with EPDM gasket G/1500 and s.s.handle VI/165/A.

Gasket on cover not glued.

AISI 304L-14307 / AISI 316L-14404.



On request:

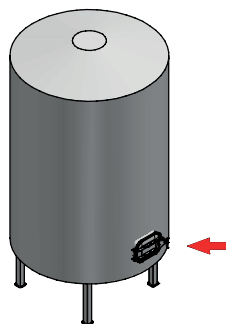
blue nylon handwheel MEC/150/A

Mod.1600/E: s.s.handle VI/165/A.

(\*) size frame economic solution 428x551

- G** Gasket
- H** Frame height
- V** Handwheel

Mod.	S1 (mm)	H (mm)	P. max (bar)	Weight (kg)
1600	12	60	0,8	24
1601	12	80	0,8	26
1602	12	100	0,8	27,2
(*)1600E	8	60	0,5	17,5
(*)1601E	8	80	0,5	18,6
(*)1602E	8	100	0,5	19,7



# mod. 1603



555x432mm - External frame

## Rectangular manwaydoor, opening outwards.

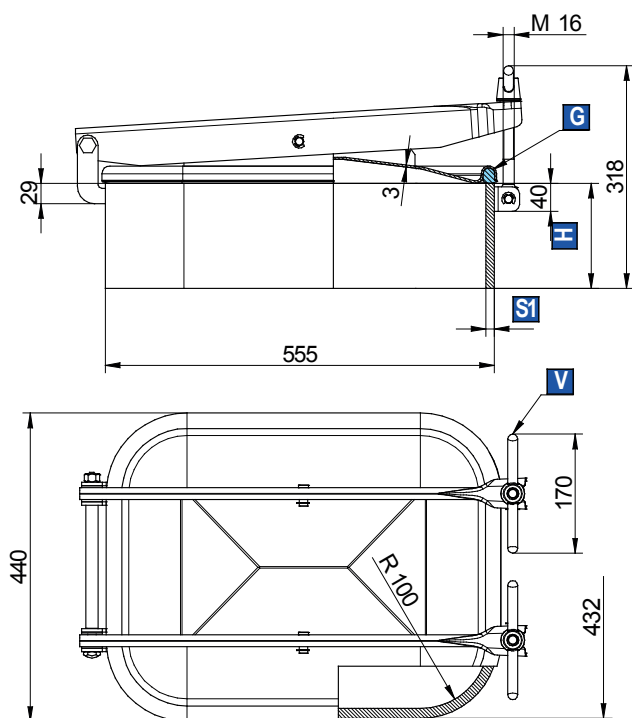
Standard with EPDM gasket G/1500 and s.s.handle VI/165/A.

Gasket on cover not glued.

AISI 304L-14307 / AISI 316L-14404.

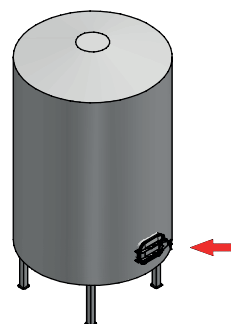


On request:  
blue nylon handwheel MEC/150/A.



- G** Gasket
- H** Frame height
- V** Handwheel

Mod.	S1 (mm)	H (mm)	P. max (bar)	Weight (kg)
1603	12	150	0/0,8	42,4

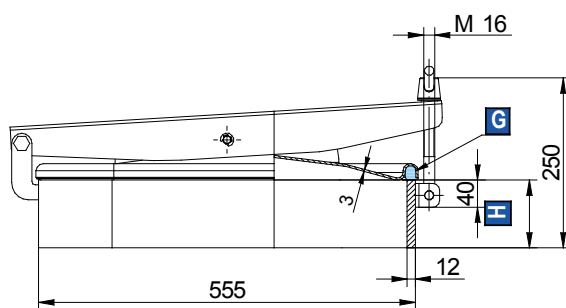


# mod. 1700



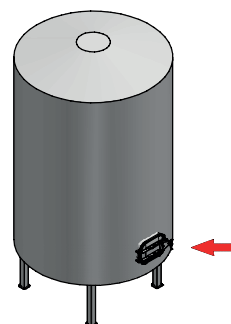
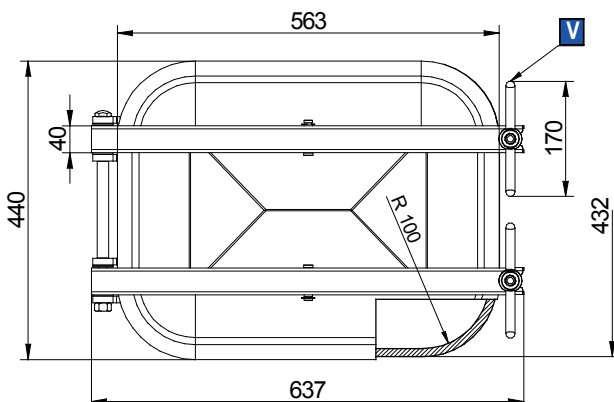
555x432mm - External frame

**Rectangular manwaydoor, opening outwards.**  
 Standard with EPDM gasket G/1500 and s.s.handle VI/165/A.  
 Gasket not glued on cover.  
 AISI 304L-14307 / AISI 316L-14404.



- G** Gasket
- H** Frame height
- V** Handwheel

Mod.	S1 (mm)	H (mm)	P. max (bar)	Weight (kg)
1700	12	60	0 / 1	23
1701	12	80	0 / 1	25
1702	12	100	0 / 1	28





## Manholecovers

---

# mod. 230



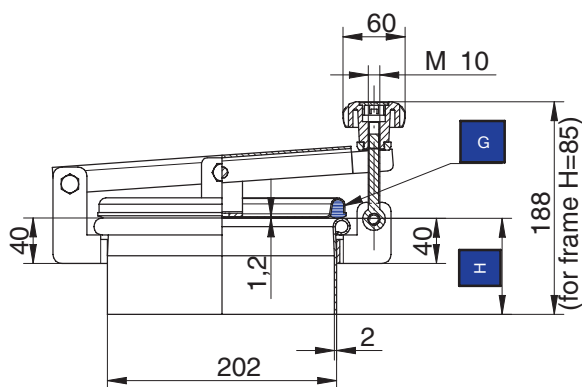
Ø 202 - External frame

## Round manhole cover.

Standard with EPDM gasket G/P200 and blue nylon handwheel MEC/60.

Gasket on cover not glued.

AISI 304L-14307 / AISI 316L-14404



Available also with side-swing opening.

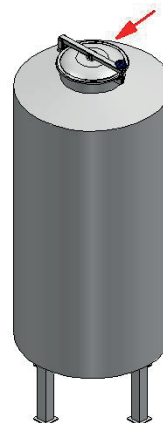
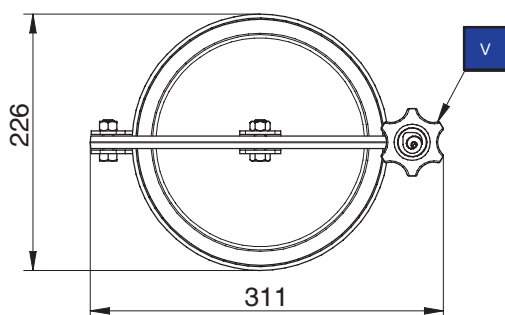
On request:

Available also with hole for relief valve.

s.s. handle VI/295; s.s. handwheel MEC/80.

- G** Gasket
- H** Frame height
- V** Handwheel

Mod.	H (mm)	P. max (bar)	Weight (kg)
230	85	0,4	2,4
231	150	0,4	3
232	200	0,4	3,5





# mod. 240



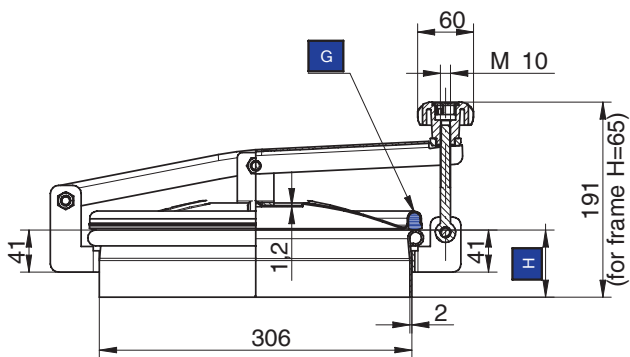
Ø 306 - External frame

## Round manhole cover.

Standard with EPDM gasket G/TR300 and blue nylon handwheel MEC/60.

Gasket on cover not glued.

AISI 304L-14307 / AISI 316L-14404



Available also with side-swing opening.

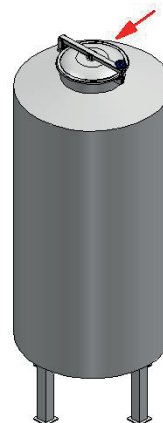
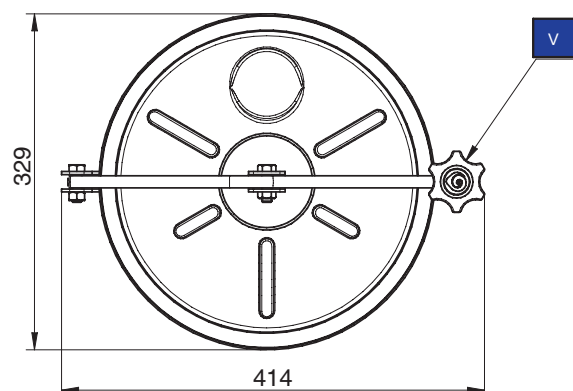
On request:

Available also with hole for relief valve.

s.s. handle VI/295; s.s. handwheel MEC/80.

- G Gasket
- H Frame height
- V Handwheel

Mod.	H (mm)	P. max (bar)	Weight (kg)
240	65	0,1	3,3
241	100	0,1	3,7
242	150	0,1	4,3
243	200	0,1	4,8



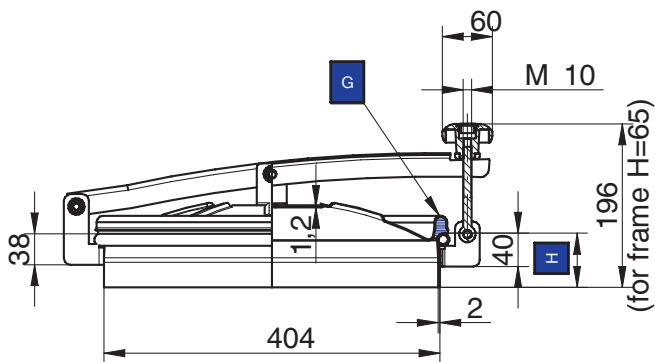
# mod. 250



Ø 404 - External frame

## Round manhole cover.

Standard with EPDM gasket G/AE and blue nylon handwheel MEC/60. Gasket on cover not glued.  
 AISI 304L-14307 / AISI 316L-14404



Available also with side-swing opening.

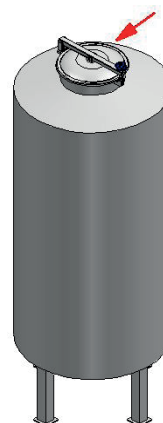
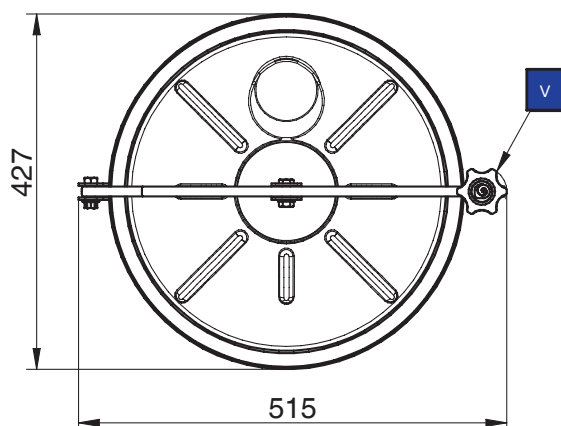
On request:

Available also with hole for relief valve.

s.s. handle V/I/295; s.s. handwheel MEC/80.

- G Gasket
- H Frame height
- V Handwheel

Mod.	H (mm)	P. max (bar)	Weight (kg)
250	65	0,0	4,8
251	100	0,0	5,4
252	150	0,0	6,2
253	200	0,0	7,2



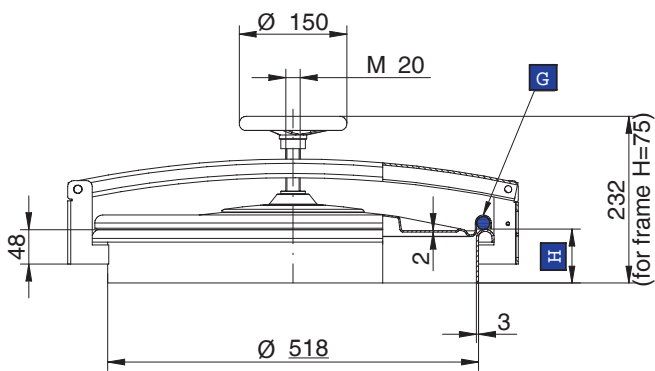
# mod. 270



Ø 518 - External frame

## Round manhole cover.

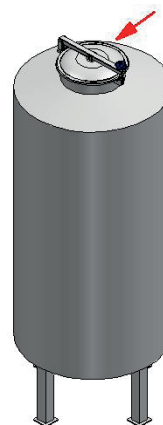
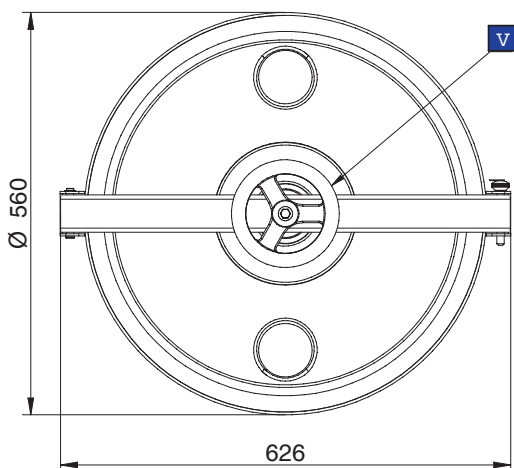
Standard with EPDM gasket G/TR500 and blue nylon handwheel MEC/151. Gasket on cover not glued.  
AISI 304L-14307 / AISI 316L-14404



Available also with hole for relief valve.

- G Gasket
- H Frame height
- V Handwheel

Mod.	H (mm)	P. max (bar)	Weight (kg)
270	75	0,0	12
271	100	0,0	13
272	150	0,0	15,3
273	200	0,0	17,5



# mod. 400/AZ-NL-GN



Ø 404 - External frame

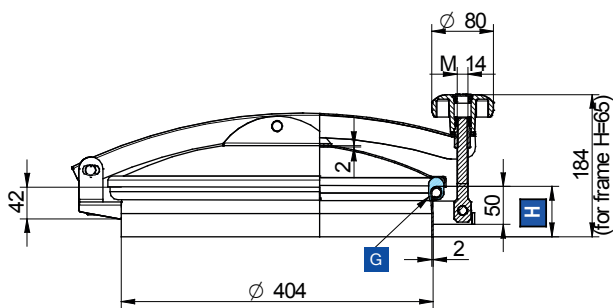
## Round manhole cover with back-side and side-swing opening

Available with EPDM gasket 400AZ/NL on cover and blue nylon handwheel MEC/80/A.

Available with EPDM gasket 400AZ/GN on frame and blue nylon handwheel MEC/80/A.

Gasket not glued.

AISI 304L-14307 / AISI 316L-14404



Available also with hole for relief valve.

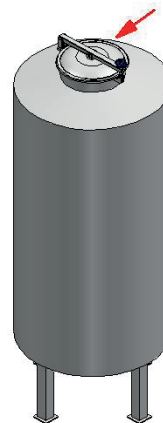
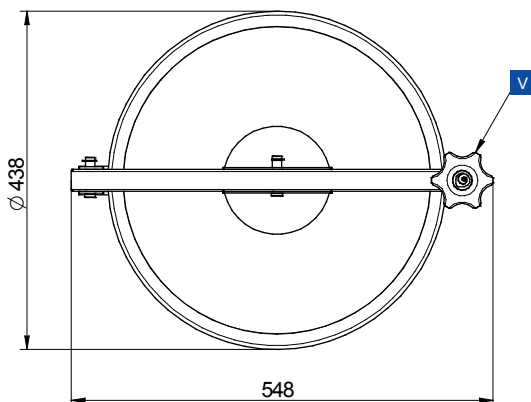
On request:

s.s. handle VI/Z/175/A;

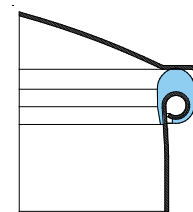
s.s. handwheel MEC/80.

- G** Gasket
- H** Frame height
- V** Handwheel

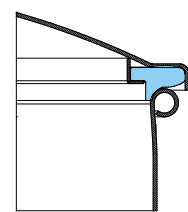
Mod.	H (mm)	P. max (bar)	Weight (kg)
400/AZ	65	0,05 (*)	5,6
401/AZ	100	0,05 (*)	6,3
402/AZ	150	0,05 (*)	7,3
403/AZ	200	0,05 (*)	8,4



(\*) with side-swing opening P.max=0,1 bar



MOD.  
400/AZ GN



MOD.  
400/AZ NL

# mod. N/230



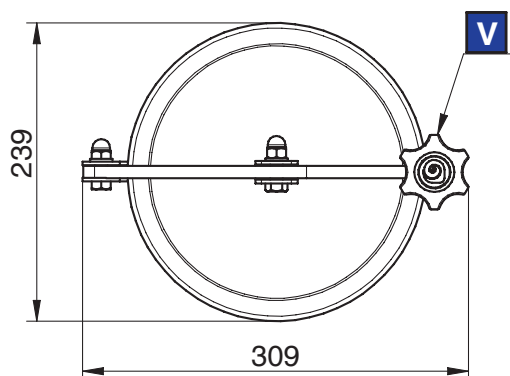
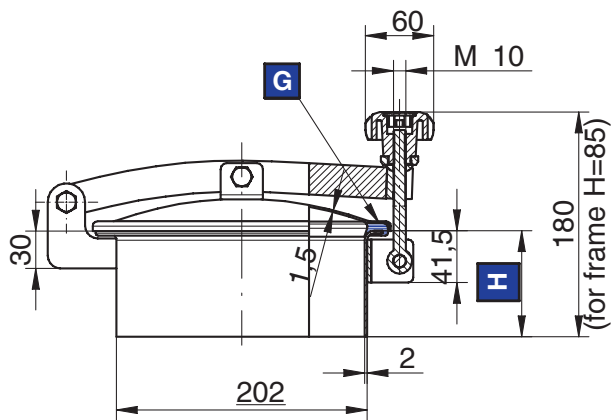
Ø 202 - External frame

## Round manhole cover.

Standard with EPDM gasket G/T200 and blue nylon handwheel MEC/60.

Gasket on frame not glued.

AISI 304L-14307 / AISI 316L-14404



Available also with hole for relief valve.

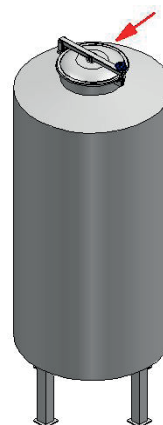
On request:

s.s. handle VI/295;

s.s. handwheel MEC/80.

- G Gasket
- H Frame height
- V Handwheel

Mod.	H (mm)	P. max (bar)	Weight (kg)
N/230	85	0,4	2,8
N/231	150	0,4	3,5
N/232	200	0,4	4,1





# mod. N/240



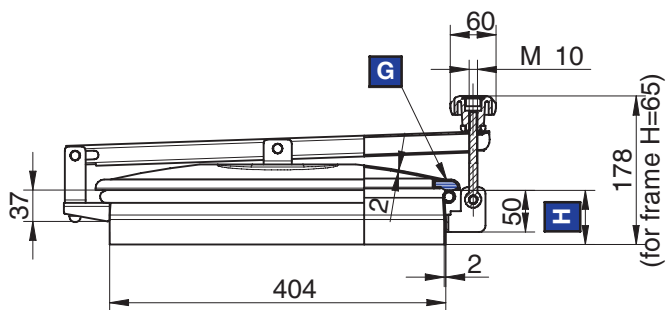
Ø 404 - External frame

## Round manhole cover with back-side and side-swing opening.

Standard with EPDM gasket G/NL250 and blue nylon handwheel MEC/60.

Gasket on cover not glued.

AISI 304L-14307 / AISI 316L-14404



Cover with double seat.

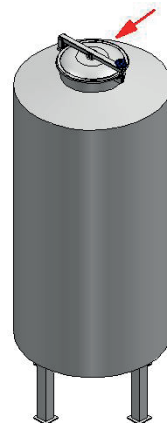
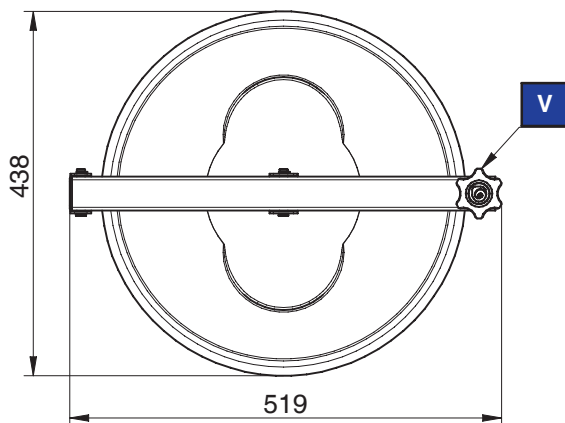
On request:

Available also with hole for relief valve.

s.s. handle VI/295; s.s. handwheel MEC/80.

- G** Gasket
- H** Frame height
- V** Handwheel

Mod.	H (mm)	P. max (bar)	Weight (kg)
N/240	65	0	5,6
N/241	100	0	6,3
N/242	150	0	7,3
N/243	200	0	8,3





# mod. N/300

Ø 306 - External frame

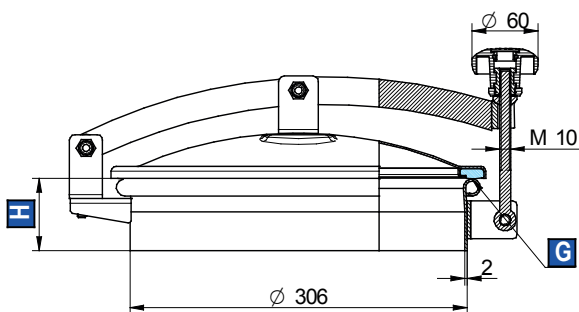


## Round manhole cover with back-side and side-swing opening.

Standard with EPDM gasket G/N300 and blue nylon handwheel MEC/60.

Gasket on cover not glued.

AISI 304L-14307 / AISI 316L-14404



Available also with hole for relief valve.

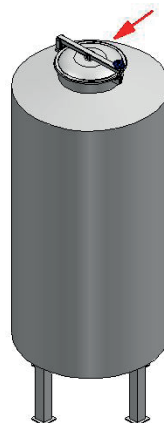
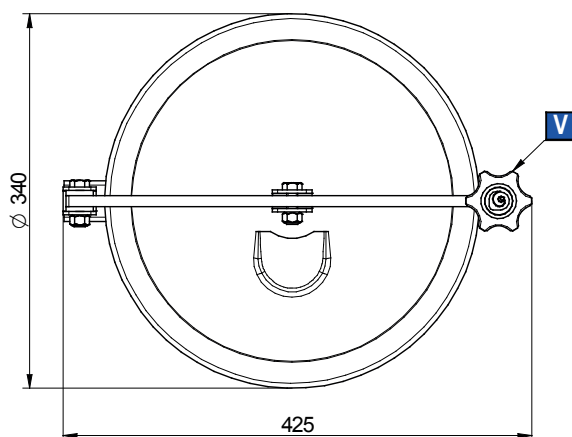
On request:

s.s. handle VI/295

s.s. handwheel MEC/80.

- G** Gasket
- H** Frame height
- V** Handwheel

Mod.	H (mm)	P. max (bar)	Weight (kg)
N/300	65	0,1	4,6
N/301	100	0,1	5,15
N/302	150	0,1	5,85



# mod. N/250



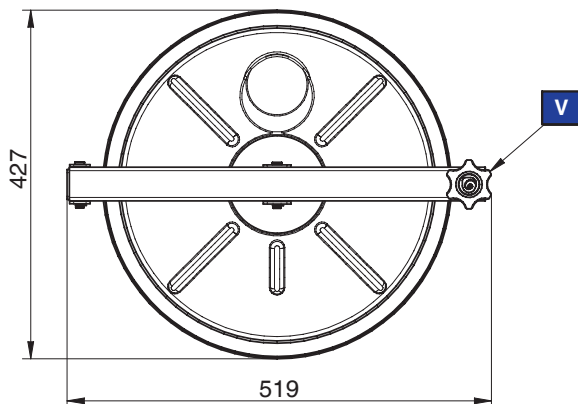
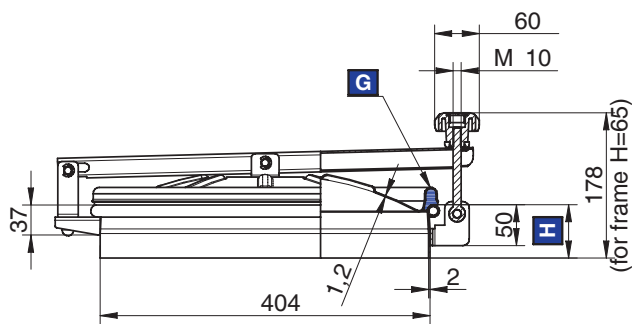
Ø 404 - External frame

## Round manhole cover with back-side and side-swing opening.

Standard with EPDM gasket G/AE and blue nylon handwheel MEC/60.

Gasket on cover not glued.

AISI 304L-14307 / AISI 316L-14404



Available also with hole for relief valve.

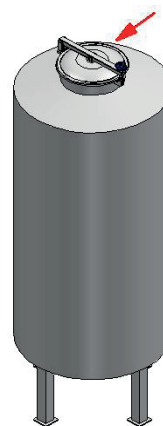
On request:

s.s. handle VI/295

s.s. handwheel MEC/80.

- G** Gasket
- H** Frame height
- V** Handwheel

Mod.	H (mm)	P. max (bar)	Weight (kg)
N/250	65	0,0	5
N/251	100	0,0	5,8
N/252	150	0,0	6,8
N/253	200	0,0	7,8



# mod. N/270



Ø 518 - External frame

## Round manhole cover with back-side and side-swing opening.

Standard with EPDM gasket G/TR500 and blue nylon handwheel MEC/80/A.

Gasket on cover not glued.

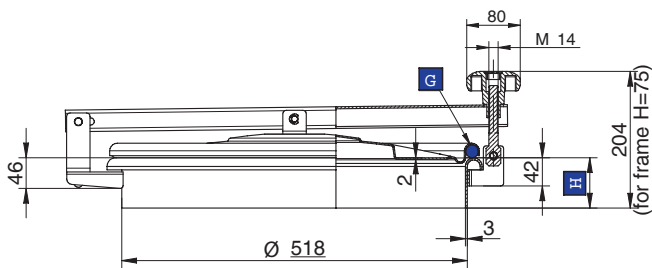
AISI 304L-14307 / AISI 316L-14404



Available also with hole for relief valve. On request:

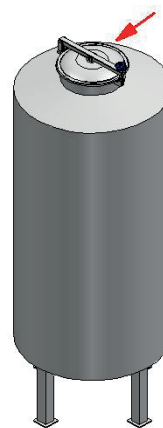
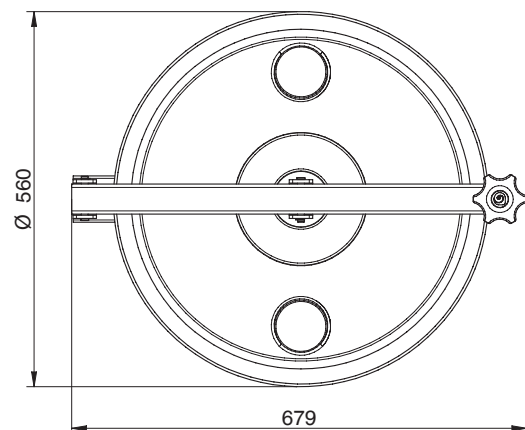
s.s. handwheel MEC/80

s.s. handle VI/Z175A (M14).



- G Gasket
- H Frame height
- V Handwheel

Mod.	H (mm)	P. max (bar)	Weight (kg)
N/270	75	0,1	12
N/271	100	0,1	12,8
N/272	150	0,1	14
N/273	200	0,1	16,9



# mod. **NL/250**



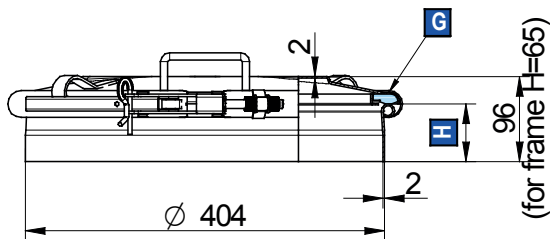
Ø 404 - External frame

## Round manhole cover with clamp closing.

Standard with EPDM gasket G/NL250.

Gasket on cover not glued.

AISI 304L-14307 / AISI 316L-14404

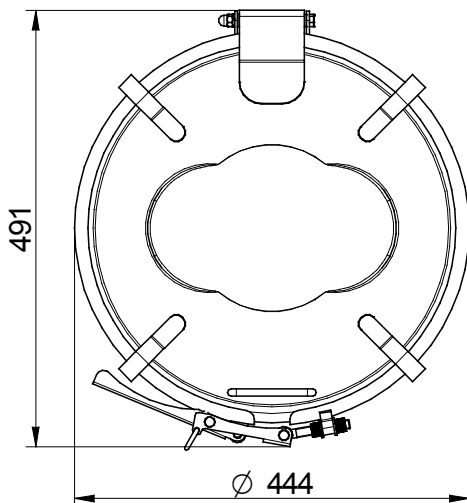


## Complying with PED guidelines.

Available also with side-swing opening

- Gasket
- Frame height

Mod.	H (mm)	P. max (bar)	Weight (kg)
NL/250	65	1	6,7
NL/251	100	1	7,7
NL/252	150	1	8,5
NL/253	200	1	9,6



# mod. TV/400



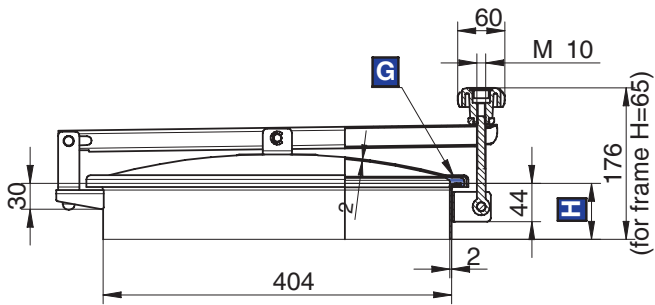
Ø 404 - External frame

## Round manhole cover with back-side and side-swing opening.

Standard with EPDM gasket G/T400 and blue nylon handwheel MEC/60.

Gasket on frame not glued.

AISI 304L-14307 / AISI 316L-14404



Available also with hole for relief valve.

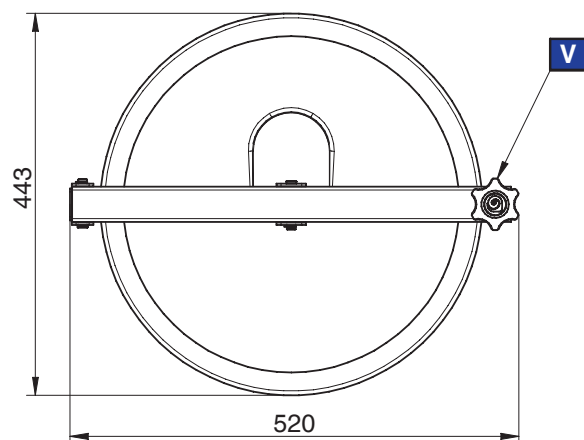
On request:

s.s. handle VI/295

s.s. handwheel MEC/80.

- G** Gasket
- H** Frame height
- V** Handwheel

Mod.	H (mm)	P. max (bar)	Weight (kg)
TV/400	65	0,0	5,6
TV/401	100	0,0	6,3
TV/402	150	0,0	7,3
TV/403	200	0,0	8,3



# mod. TV/450



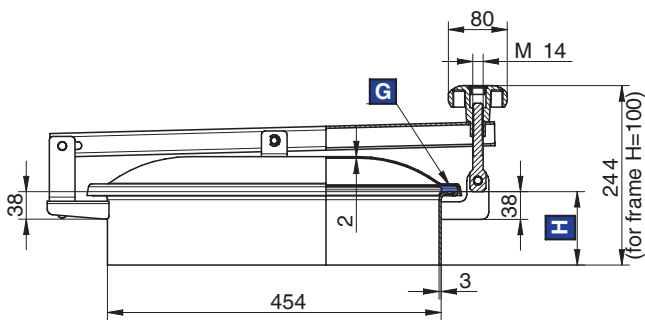
Ø 454 - External frame

## Round manhole cover with back-side and side-swing opening.

Standard with EPDM gasket G/T450 and blue nylon handwheel MEC/80/A.

Gasket on frame not glued.

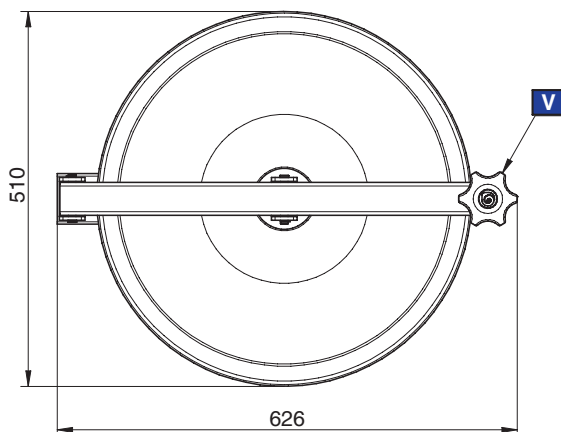
AISI 304L-14307 / AISI 316L-14404



On request:  
Available also with hole for relief valve.  
s.s. handwheel MEC/80  
s.s. handle VI/Z/175A.

- G** Gasket
- H** Frame height
- V** Handwheel

Mod.	H (mm)	P. max (bar)	Weight (kg)
TV/450	100	0,0	12,2
TV/451	150	0,0	14
TV/452	200	0,0	15,8





# mod. TV/500



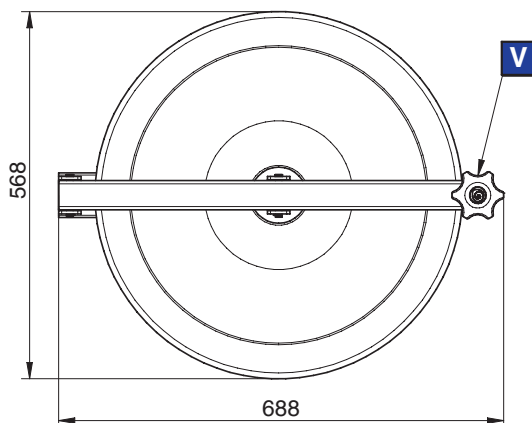
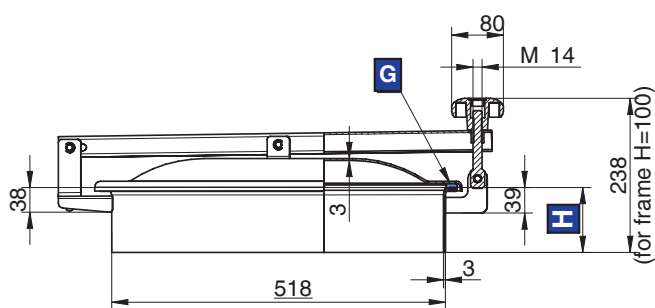
Ø 518 - External frame

## Round manhole cover with back-side and side-swing opening.

Standard with EPDM gasket G/T500 and blue nylon handwheel MEC/80/A.

Gasket on frame not glued.

AISI 304L-14307 / AISI 316L-14404



Available also with hole for relief valve.

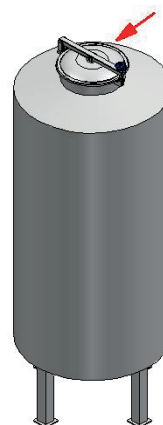
On request:

s.s. handwheel MEC/80

s.s. handle VI/Z/175A.

- G** Gasket
- H** Frame height
- V** Handwheel

Mod.	H (mm)	P. max (bar)	Weight (kg)
TV/500	100	0,0	14,4
TV/501	150	0,0	16
TV/502	200	0,0	17,7



# mod. TV/600



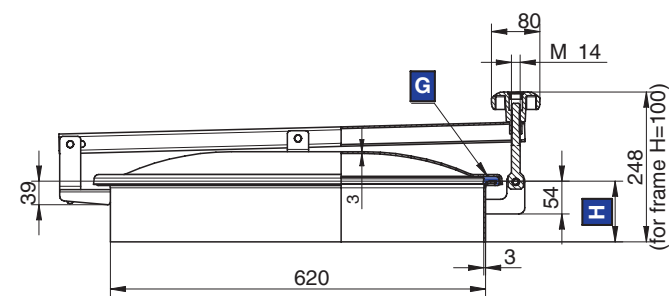
Ø 620 - External frame

## Round manhole cover with back-side and side-swing opening.

Standard with EPDM gasket G/T600 and blue nylon handwheel MEC/80/A.

Gasket on frame not glued.

AISI 304L-14307 / AISI 316L-14404



Available also with hole for relief valve.

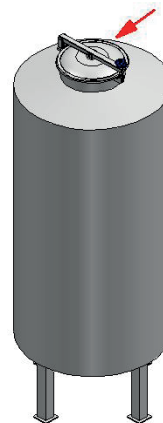
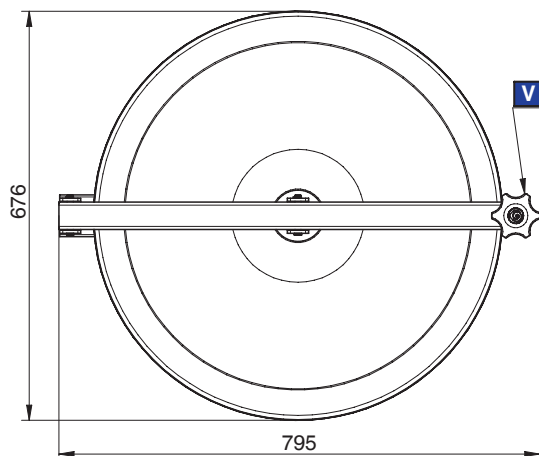
On request:

s.s. handwheel MEC/80

s.s. handle VI/Z/175A.

- G** Gasket
- H** Frame height
- V** Handwheel

Mod.	H (mm)	P. max (bar)	Weight (kg)
TV/600	100	0,0	18,8
TV/601	150	0,0	21,5
TV/602	200	0,0	24,3



# mod. T1/200



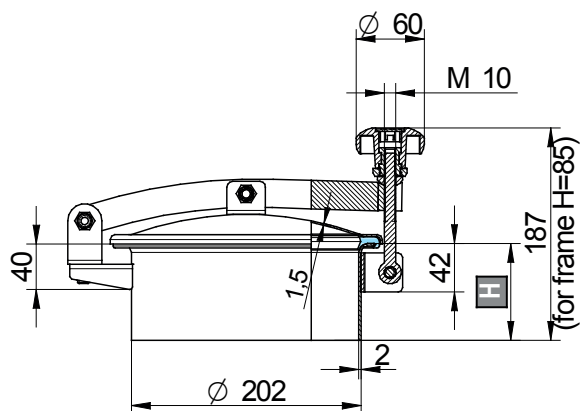
Ø 202 - External frame

## Round manhole cover with back-side and side-swing opening.

Standard with EPDM gasket G/T200 and blue nylon handwheel MEC/60.

Gasket on frame not glued.

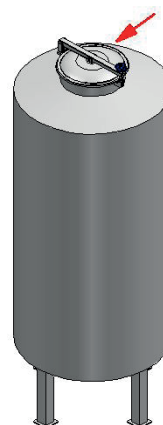
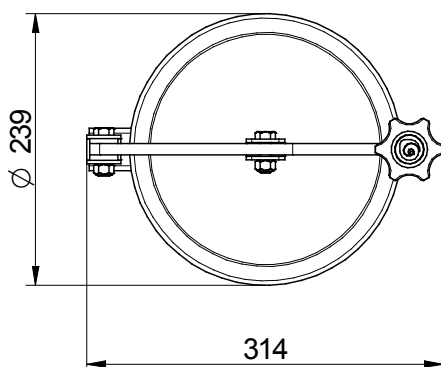
AISI 304L-14307 / AISI 316L-14404



On request:  
s.s. handwheel MEC/80  
s.s. handle VI/295.

- Gasket
- Frame height
- Handwheel

Mod.	H (mm)	P. max (bar)	Weight (kg)
T1/200	85	0,4	2,8
T1/201	150	0,4	3,5
T1/202	200	0,4	4,1



# mod. T1/300



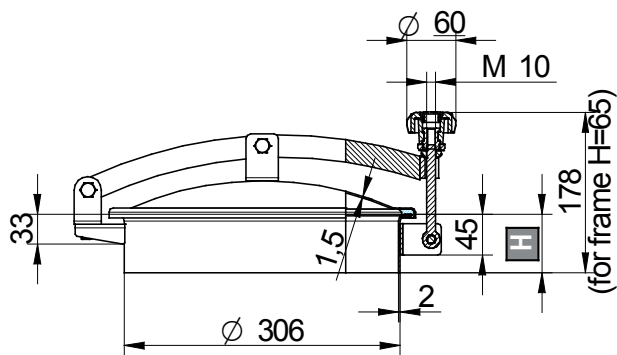
Ø 306 - External frame

## Round manhole cover with back-side and side-swing opening.

Standard with EPDM gasket G/T300 and blue nylon handwheel MEC/60.

Gasket on frame not glued.

AISI 304L-14307 / AISI 316L-14404



Available also with hole for relief valve.

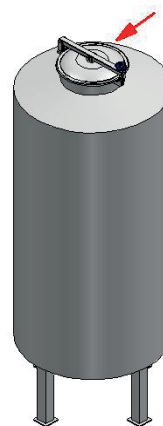
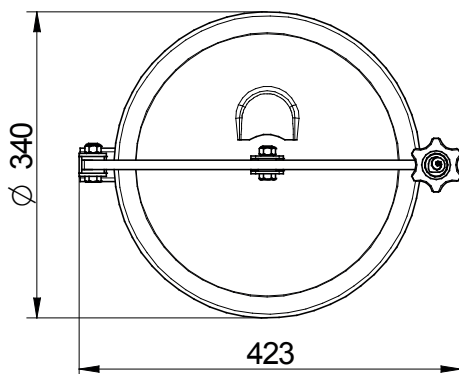
On request:

s.s. handle VI/295

s.s. handwheel MEC/80.

- G Gasket
- H Frame height
- V Handwheel

Mod.	H (mm)	P. max (bar)	Weight (kg)
T1/300	65	0,1	3,4
T1/301	100	0,1	3,8
T1/302	150	0,1	4,4
T1/303	200	0,1	5,0



# mod. T1/400



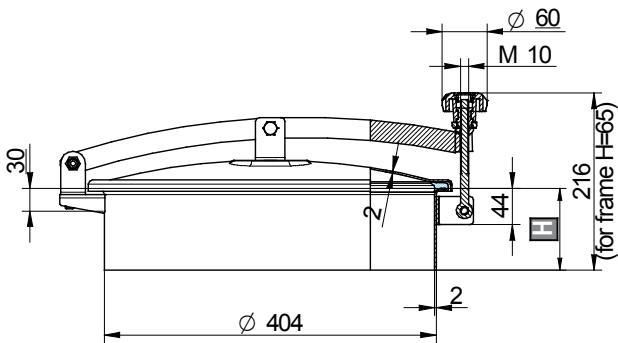
Ø 404 - External frame

## Round manhole cover with back-side and side-swing opening.

Standard with EPDM gasket G/T400 and blue nylon handwheel MEC/60.

Gasket on frame not glued.

AISI 304L-14307 / AISI 316L-14404



Available also with hole for relief valve.

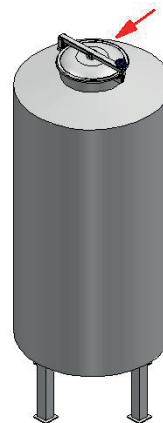
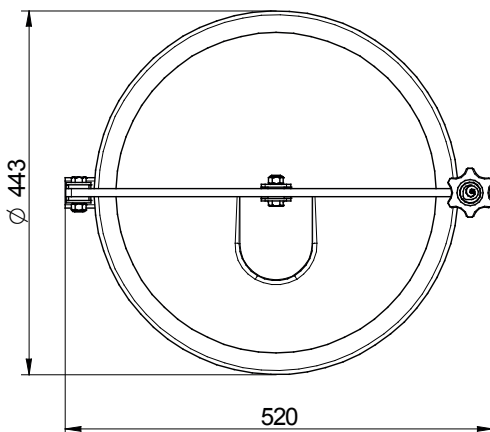
On request:

s.s. handle VI/295

s.s. handwheel MEC/80.

- Gasket
- Frame height
- Handwheel

Mod.	H (mm)	P. max (bar)	Weight (kg)
T1/400	65	0,0	5,7
T1/401	100	0,0	6,4
T1/402	150	0,0	7,3
T1/403	200	0,0	8,4



# mod. T1/450



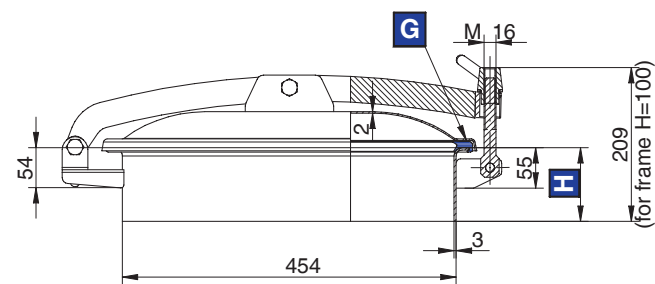
Ø 454 - External frame

## Round manhole cover with back-side and side-swing opening.

Standard with EPDM gasket G/T450 and s.s. handwheel VI/165A.

Gasket on frame not glued.

AISI 304L-14307 / AISI 316L-14404



Available also with hole for relief valve.

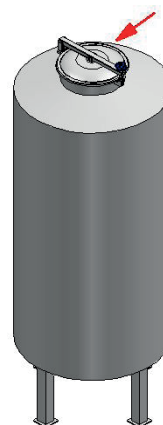
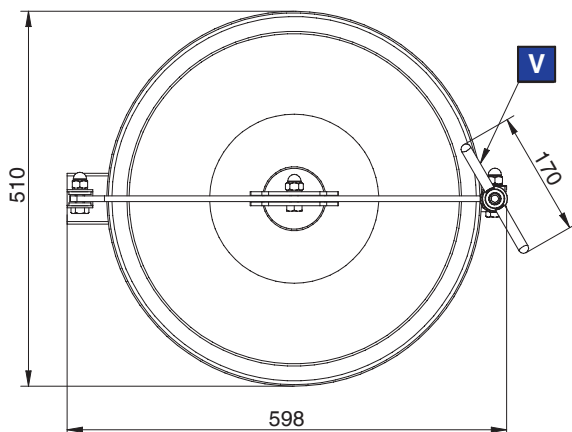
On request:

s.s. handle MEC/80.

blue nylon handwheel MEC/80.

- G** Gasket
- H** Frame height
- V** Handwheel

Mod.	H (mm)	P. max (bar)	Weight (kg)
T1/450	100	0,0	11,2
T1/451	150	0,0	12,9
T1/452	200	0,0	14,5





# mod. T1/500



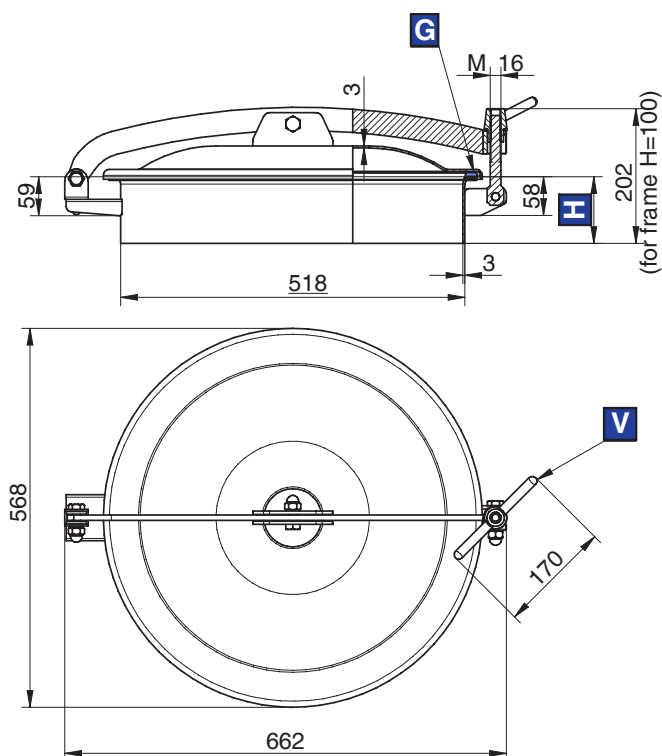
Ø 518 - External frame

## Round manhole cover with back-side and side-swing opening.

Standard with EPDM gasket G/T500 and s.s. handwheel VI/165A.

Gasket on frame not glued.

AISI 304L-14307 / AISI 316L-14404



Available also with hole for relief valve.

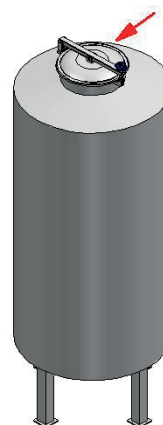
On request:

s.s. handle MEC/80.

blue nylon handwheel MEC/80.

- G Gasket
- H Frame height
- V Handwheel

Mod.	H (mm)	P. max (bar)	Weight (kg)
T1/500	100	0,0	14,8
T1/501	150	0,0	16,7
T1/502	200	0,0	18,6



# mod. T1/600



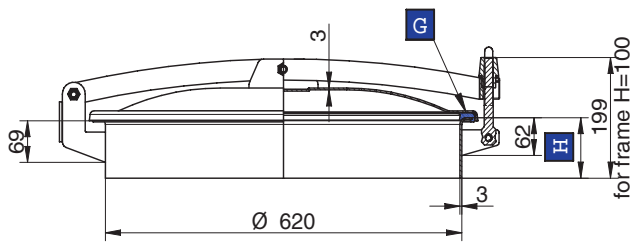
Ø 620 - External frame

## Round manhole cover with back side opening

Standard with EPDM gasket G/T600 and s.s. handwheel VI/165A.

Gasket on frame not glued.

AISI 304L-14307 / AISI 316L-14404



Available also with hole for relief valve and side-swing opening

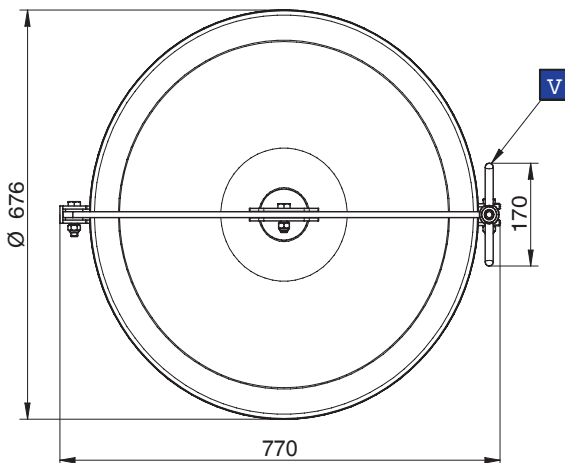
On request:

s.s. handle MEC/80.

blue nylon handwheel MEC/80

- G Gasket
- H Frame height
- V Handwheel

Mod.	H (mm)	P. max (bar)	Weight (kg)
T1/600	100	0,0	23
T1/601	150	0,0	26,4
T1/602	200	0,0	27,8



# mod. T1/800



Ø 805 - External frame

## Round manhole cover with back side opening

Standard with EPDM gasket G/800 and s.s. handwheel VI/165A.

Gasket on frame not glued.

AISI 304L-14307 / AISI 316L-14404

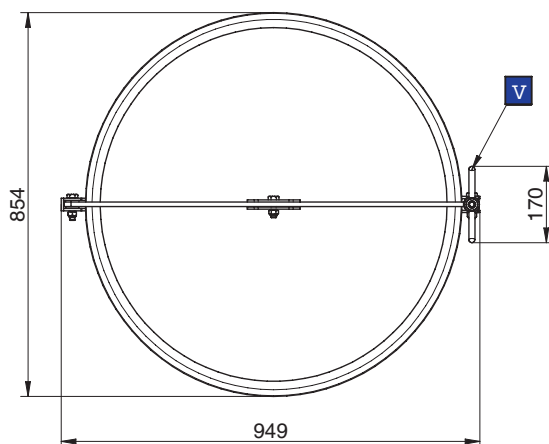
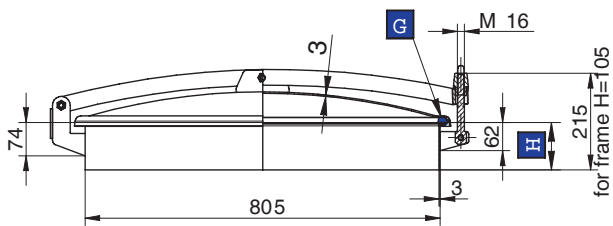


Available also with hole for relief valve and side-swing opening

On request:

s.s. handle MEC/80.

blue nylon handwheel MEC/80



- G Gasket
- H Frame height
- V Handwheel

Mod.	H (mm)	P. max (bar)	Weight (kg)
T1/800	100	0,0	27,4
T1/801	150	0,0	30,4
T1/802	200	0,0	33,5



# mod. T1A/200



Ø 202 - External frame

## Round manhole cover with back side opening.

Standard with EPDM gasket G/T200 and blue nylon handwheel MEC/80.

Gasket on frame not glued.

AISI 304L-14307 / AISI 316L-14404

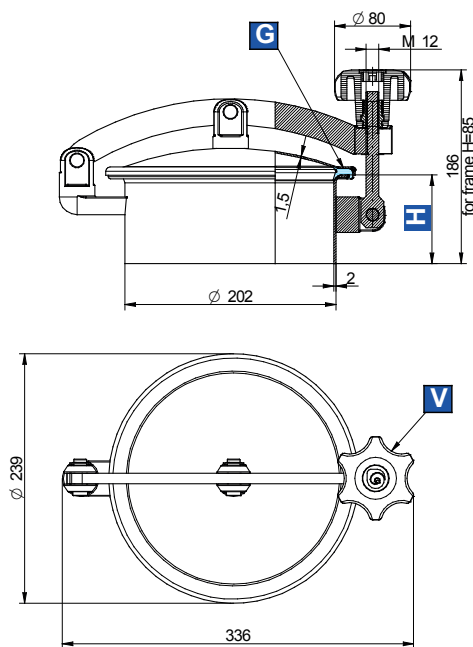
Internal frame brushed finishing  $\leq 0,5$  Ra



Available also with hole for relief valve.

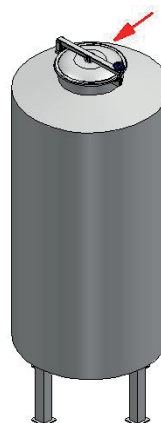
On request:

s.s. handle MEC/80.



- G** Gasket
- H** Frame height
- V** Handwheel

Mod.	H (mm)	P. max (bar)	Weight (kg)
T1/A200	85	0,4	2,8
T1A/201	150	0,4	3,5
T1A/202	200	0,4	4,1



# mod. T1A/300



Ø 306 - External frame

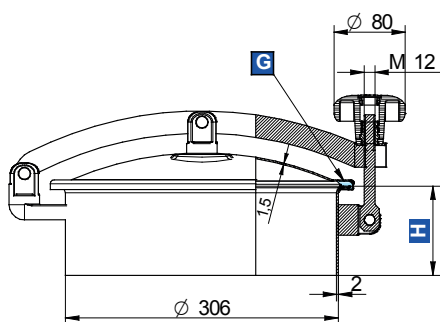
## Round manhole cover with back side opening.

Standard with EPDM gasket G/T300 and blue nylon handwheel MEC/80.

Gasket on frame not glued.

AISI 304L-14307 / AISI 316L-14404

Internal frame brushed finishing <=0,5 Ra



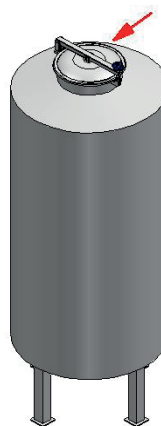
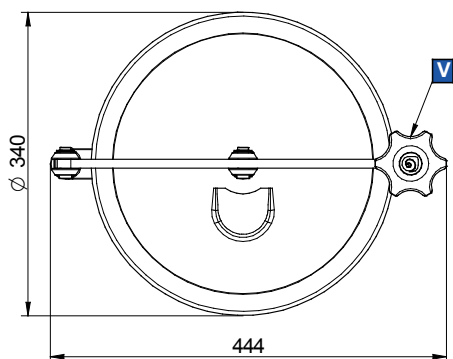
Available also with hole for relief valve.

On request:

s.s. handle MEC/80.

- G** Gasket
- H** Frame height
- V** Handwheel

Mod.	H (mm)	P. max (bar)	Weight (kg)
T1A/300	65	0,1	4,5
T1A/301	100	0,1	5,1
T1A/302	150	0,1	5,8
T1A/303	200	0,1	6,6



# mod. T1A/400



Ø 404 - External frame

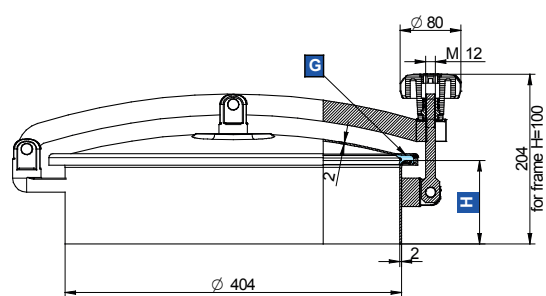
## Round manhole cover with back side opening.

Standard with EPDM gasket G/T400 and blue nylon handwheel MEC/80.

Gasket on frame not glued.

AISI 304L-14307 / AISI 316L-14404

Internal frame brushed finishing <=0,5 Ra



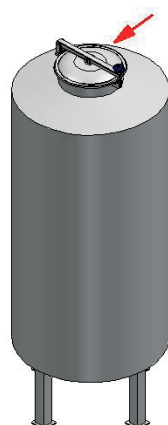
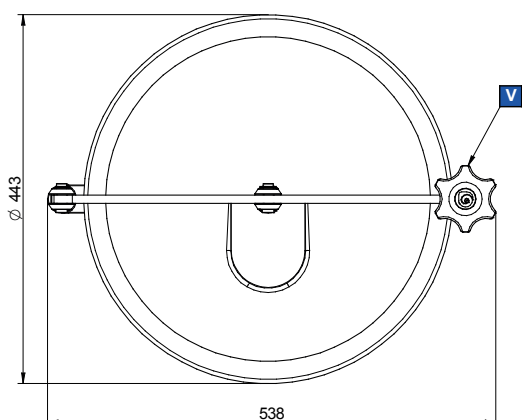
Available also with hole for relief valve.

On request:

s.s. handle MEC/80.

- G** Gasket
- H** Frame height
- V** Handwheel

Mod.	H (mm)	P. max (bar)	Weight (kg)
T1A/400	65	0,1	6,7
T1A/401	100	0,1	7,4
T1A/402	150	0,1	8,4
T1A/403	200	0,1	9,4





# mod. T1A/450



Ø 454 - External frame

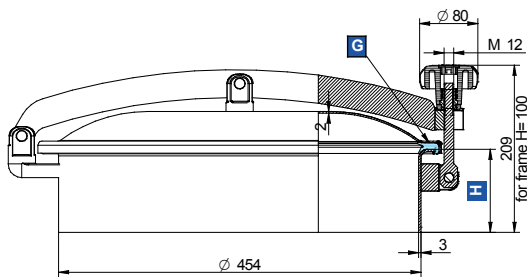
## Round manhole cover with back side opening.

Standard with EPDM gasket G/T450 and blue nylon handwheel MEC/80.

Gasket on frame not glued.

AISI 304L-14307 / AISI 316L-14404

Internal frame brushed finishing <=0,5 Ra



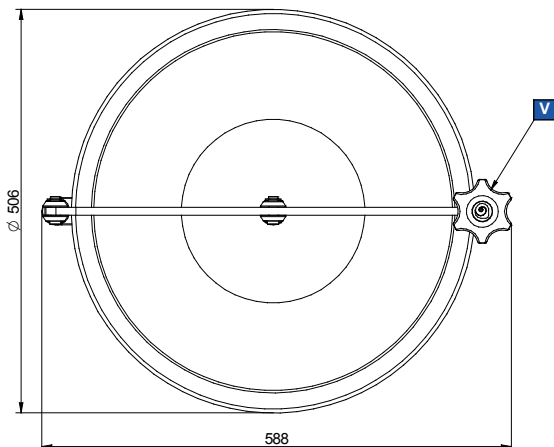
Available also with hole for relief valve.

On request:

s.s. handle MEC/80.

- G** Gasket
- H** Frame height
- V** Handwheel

Mod.	H (mm)	P. max (bar)	Weight (kg)
T1/450A	100	0,0	11,2
T1/451A	150	0,0	12,9
T1/452A	200	0,0	14,5



# mod. T1A/500

Ø 518 - External frame



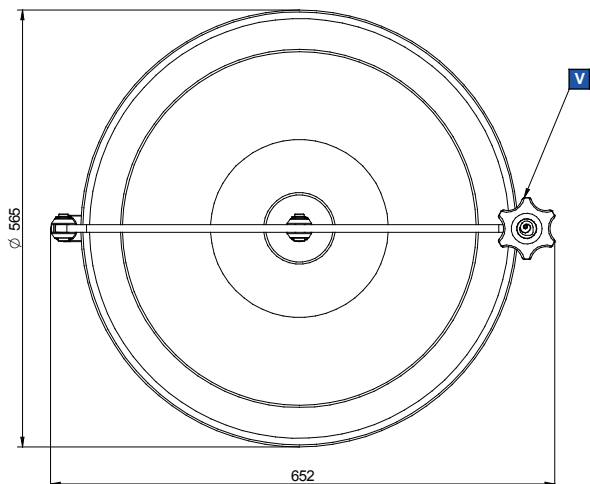
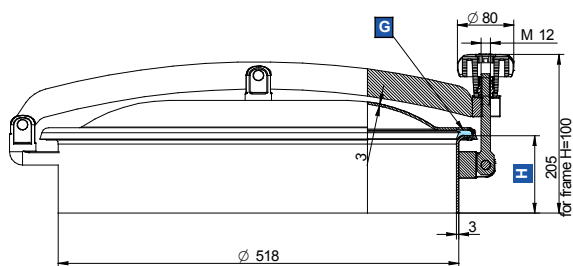
## Round manhole cover with back side opening.

Standard with EPDM gasket G/T500 and blue nylon handwheel MEC/80.

Gasket on frame not glued.

AISI 304L-14307 / AISI 316L-14404

Internal frame brushed finishing <=0,5 Ra

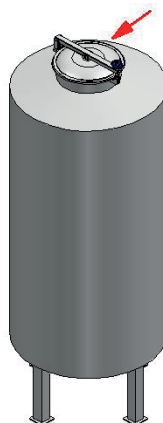


Available also with hole for relief valve.

On request:  
s.s. handle MEC/80.

- G** Gasket
- H** Frame height
- V** Handwheel

Mod.	H (mm)	P. max (bar)	Weight (kg)
T1A/500	100	0,0	14,8
T1A/501	150	0,0	16,7
T1A/502	200	0,0	18,6



# mod. T1A/600



Ø 620 - External frame

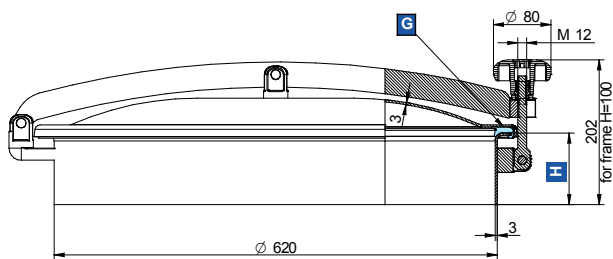
## Round manhole cover with back side opening.

Standard with EPDM gasket G/T600 and blue nylon handwheel MEC/80.

Gasket on frame not glued.

AISI 304L-14307 / AISI 316L-14404

Internal frame brushed finishing <=0,5 Ra



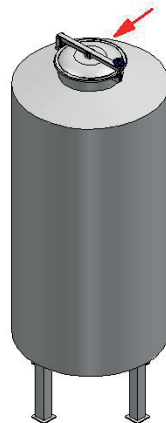
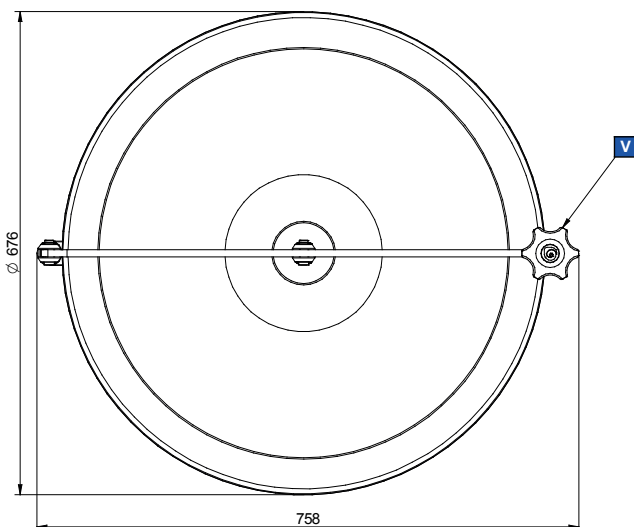
Available also with hole for relief valve.

On request:

s.s. handle MEC/80.

- G** Gasket
- H** Frame height
- V** Handwheel

Mod.	H (mm)	P. max (bar)	Weight (kg)
T1A/600	100	0,0	23
T1A/601	150	0,0	26,4
T1A/602	200	0,0	27,8



# mod. T/400



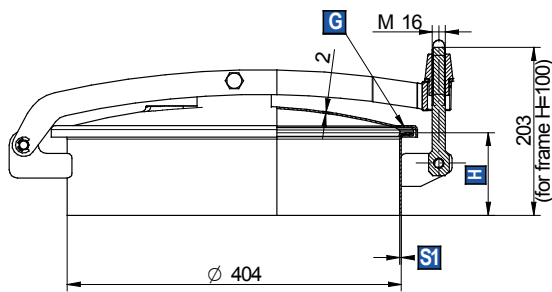
Ø 404 - External frame

## Round manhole cover with back side opening.

Standard with EPDM gasket G/T400 and s.s. handle VI/165/A.

Gasket on frame not glued.

AISI 304L-14307 / AISI 316L-14404



Available also with hole for relief valve.

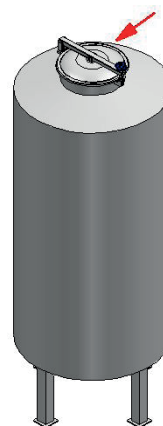
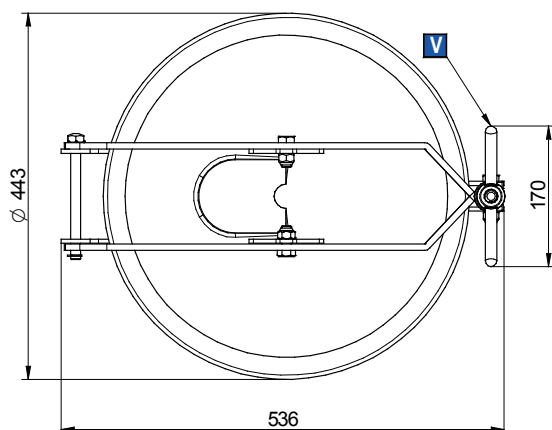
On request:

s.s. handle MEC/80.

blue nylon handwheel MEC/80

- G Gasket
- H Frame height
- V Handwheel

Mod.	H (mm)	P. max (bar)	Weight (kg)
T/400	100	0,1	9,1
T/401	150	0,1	10,1
T/402	200	0,1	11,0



# mod. T/450



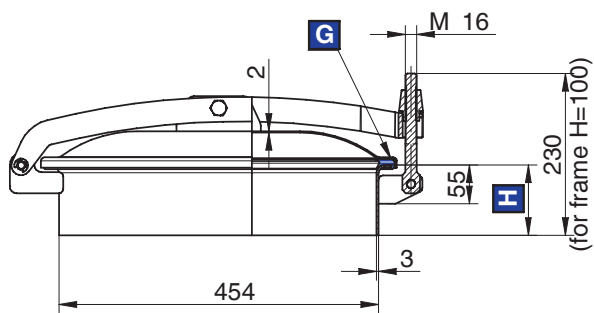
Ø 454 - External frame

## Round manhole cover with back side opening.

Standard with EPDM gasket G/T450 and s.s. handle VI/165/A.

Gasket on frame not glued.

AISI 304L-14307 / AISI 316L-14404



Available also with hole for relief valve.

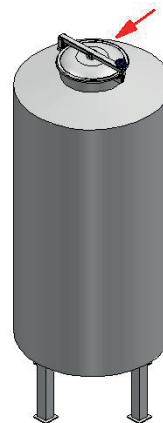
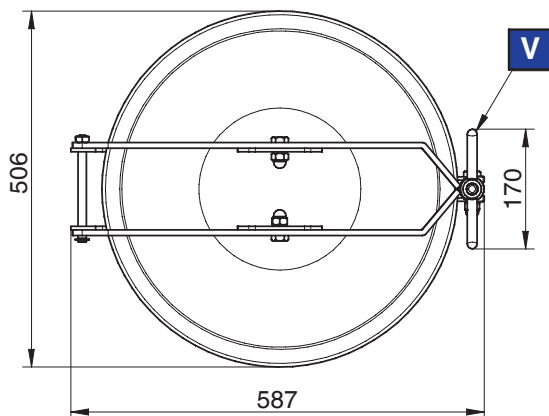
On request:

s.s. handle MEC/80.

blue nylon handwheel MEC/80

- G Gasket
- H Frame height
- V Handwheel

Mod.	H (mm)	P. max (bar)	Weight (kg)
T/450	100	0,1	14,8
T/451	150	0,1	16,7
T/452	200	0,1	18,6



# mod. T/500



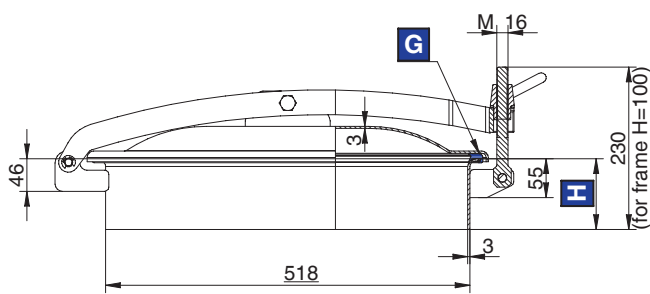
Ø 518 - External frame

## Round manhole cover with back side opening.

Standard with EPDM gasket G/T500 and s.s. handle VI/165/A.

Gasket on frame not glued.

AISI 304L-14307 / AISI 316L-14404



Available also with hole for relief valve.

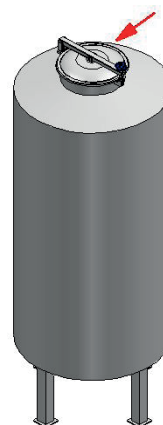
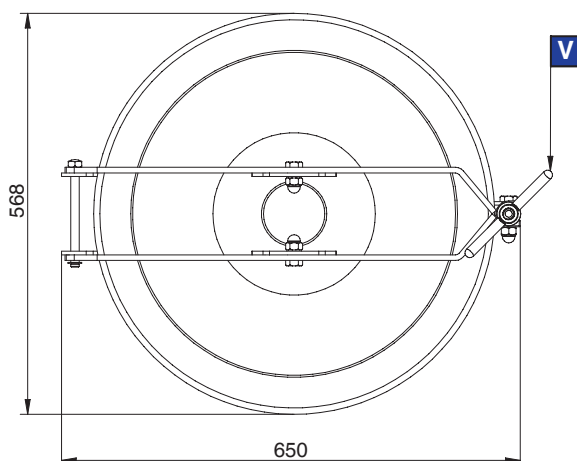
On request:

s.s. handle MEC/80.

blue nylon handwheel MEC/80.

- G** Gasket
- H** Frame height
- V** Handwheel

Mod.	H (mm)	P. max (bar)	Weight (kg)
T/500	100	0,1	16,2
T/501	150	0,1	18,1
T/502	200	0,1	20,0





# mod. T/600



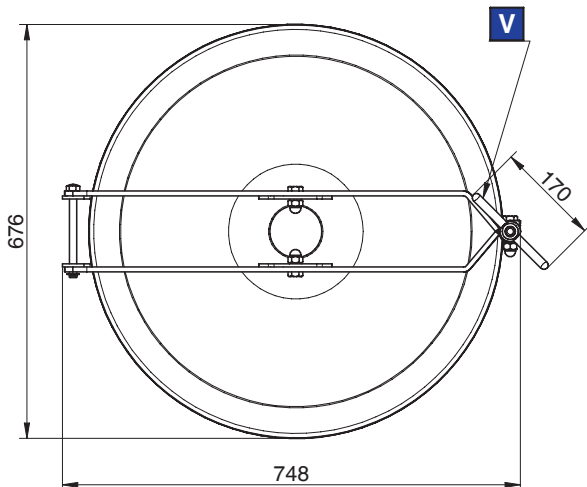
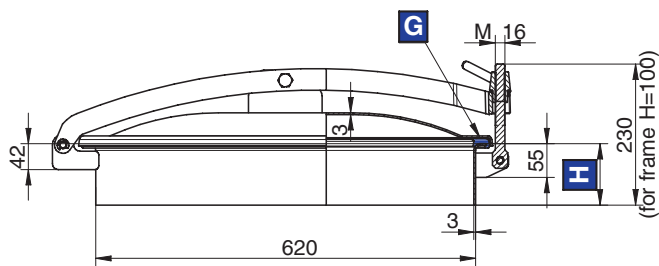
Ø 620 - External frame

## Round manhole cover with back side opening.

Standard with EPDM gasket G/T600 and s.s. handle VI/165/A.

Gasket on frame not glued.

AISI 304L-14307 / AISI 316L-14404



Available also with hole for relief valve.

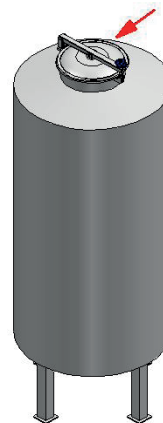
On request:

s.s. handle MEC/80.

blue nylon handwheel MEC/80.

- G** Gasket
- H** Frame height
- V** Handwheel

Mod.	H (mm)	P. max (bar)	Weight (kg)
T/600	100	0,0	21
T/601	150	0,0	23,7
T/602	200	0,0	26,4



# mod. T1/G400



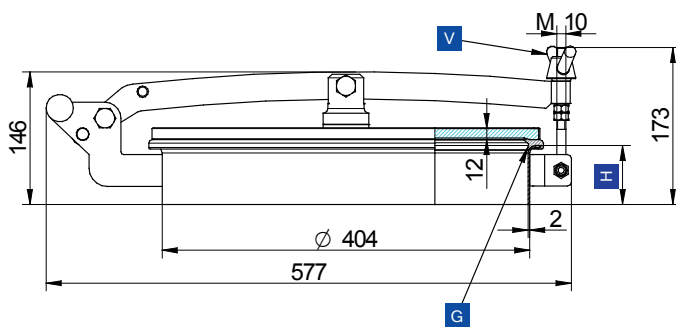
Ø 404 - External frame

## Round manhole cover with glass lid, with back side opening.

Standard with EPDM gasket G/T400, s.s. handwheel VI/295 and rear shear pin. Gasket on frame not glued.

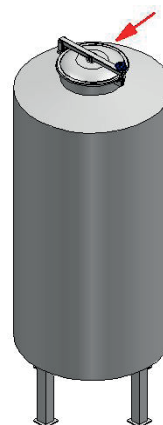
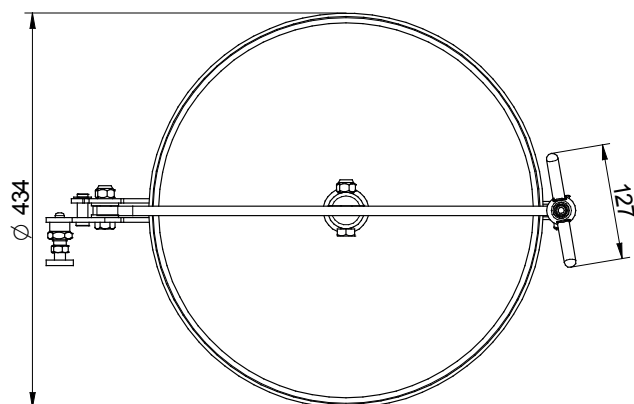
AISI 304L-14307 / AISI 316L-14404.

Sodalime tempered glass. Max temperature 120°C



- Gasket
- Frame height
- Handwheel

Mod.	H (mm)	P. max (bar)	Weight (kg)
T1/G400	65	0,0	9,3
T1/G401	100	0,0	10,0
T1/G402	150	0,0	10,9
T1/G403	200	0,0	12,0



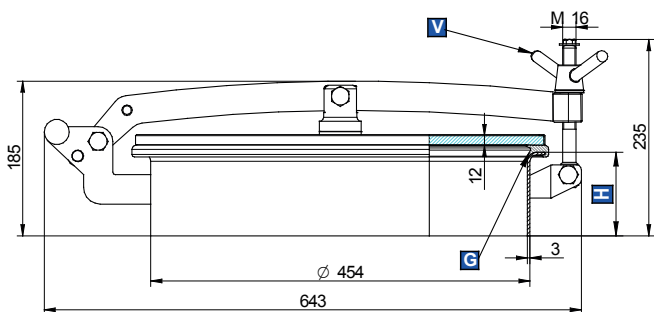
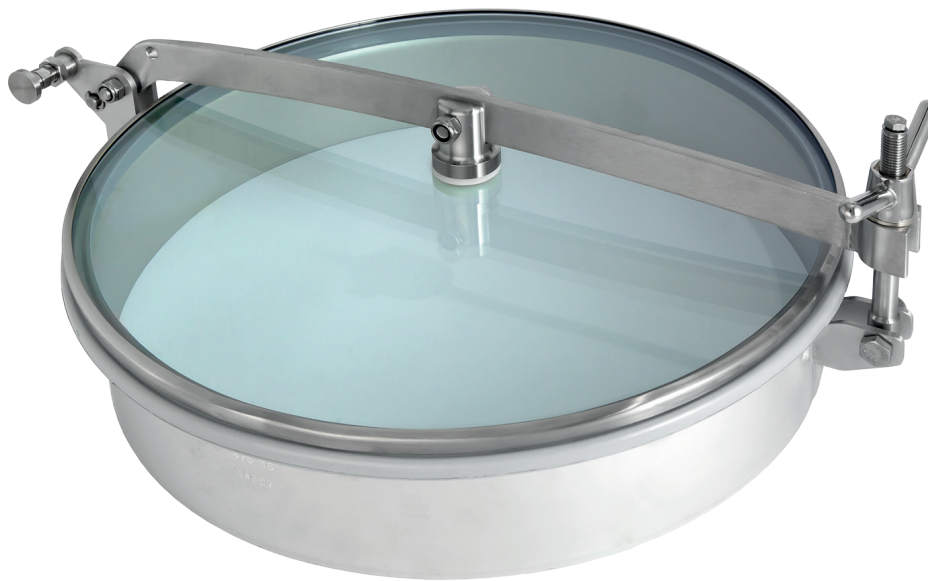
# mod. T1/G450



Ø 454 - External frame

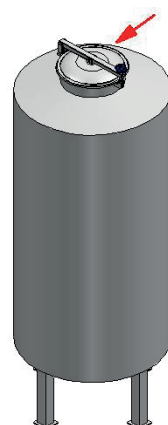
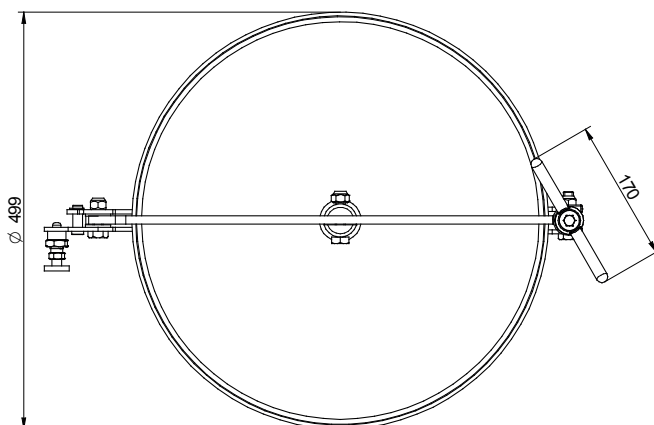
## Round manhole cover with glass lid, with back side opening.

Standard with EPDM gasket G/T450, s.s. handwheel VI/165A and rear shear pin.  
Gasket on frame not glued. AISI 304L-14307 / AISI 316L-14404.  
Sodalime tempered glass. Max temperature 120°C



- G Gasket
- H Frame height
- V Handwheel

Mod.	H (mm)	P. max (bar)	Weight (kg)
T1/G450	100	0,0	11,9
T1/G451	150	0,0	13,7
T1/G452	200	0,0	15,5



# mod. T1/G500



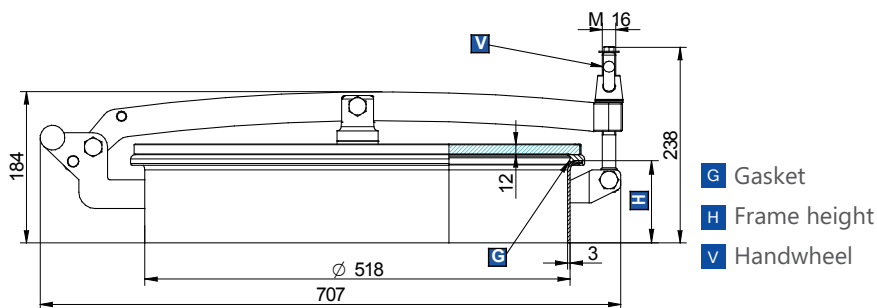
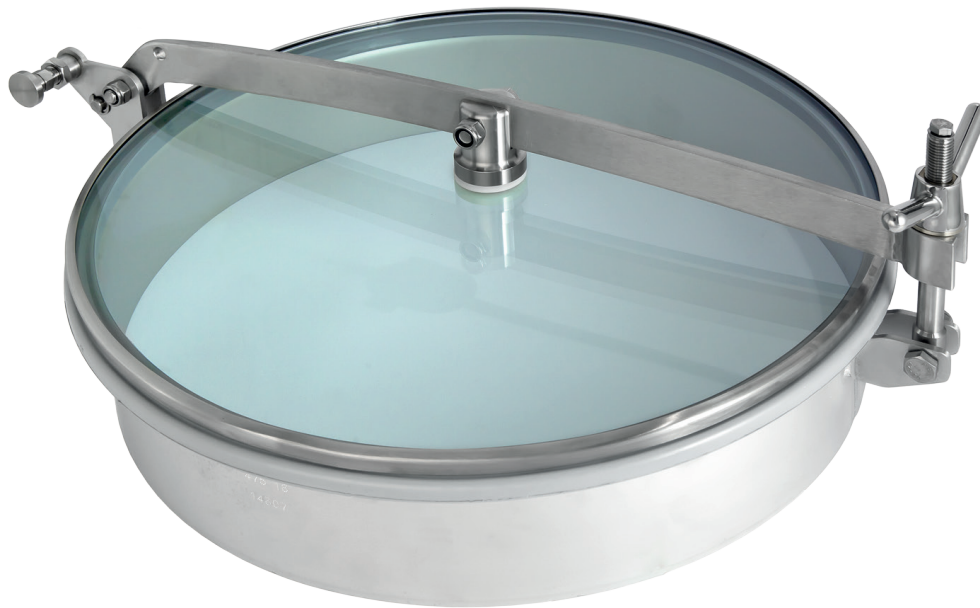
Ø 518 - External frame

## Round manhole cover with glass lid, with back side opening.

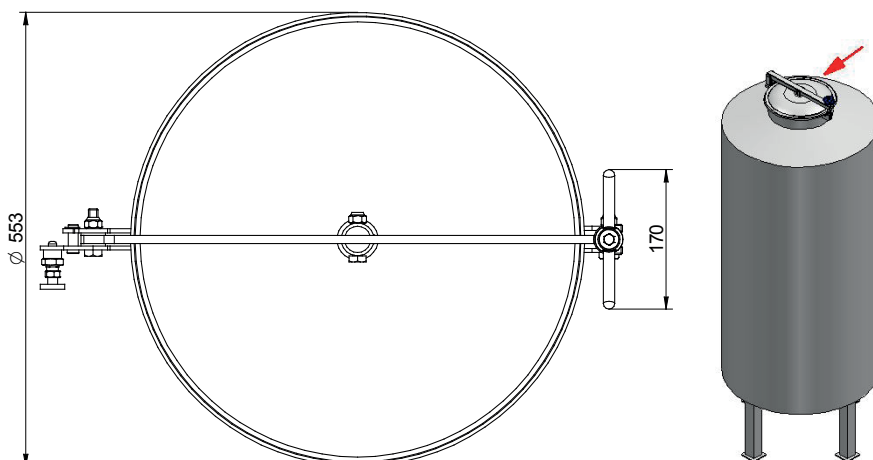
Standard with EPDM gasket G/T500, s.s. handwheel VI/165A and rear shear pin. Gasket on frame not glued.

AISI 304L-14307 / AISI 316L-14404.

Sodalime tempered glass. Max temperature 120°C



Mod.	H (mm)	P. max (bar)	Weight (kg)
T1/G500	100	0,0	16,3
T1/G501	150	0,0	18,2
T1/G502	200	0,0	20,1



# mod. 235



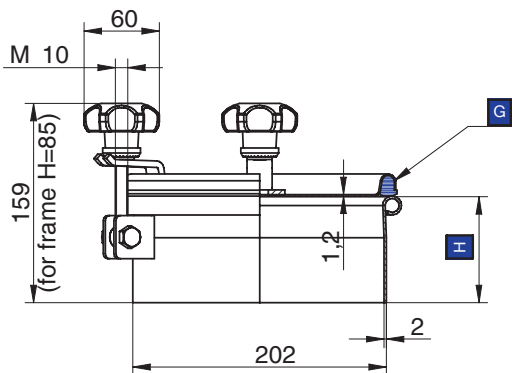
Ø 202 - External frame

## Round manhole cover.

Standard with EPDM gasket G/P200 and blue nylon handwheel MEC/60.

Gasket on cover not glued.

AISI 304L-14307 / AISI 316L-14404

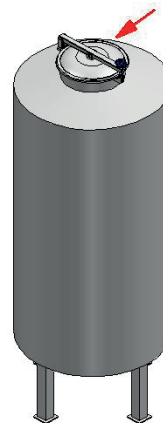
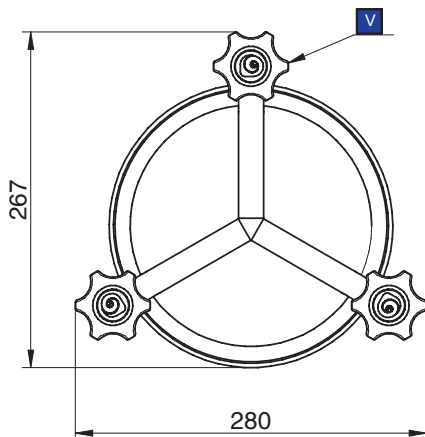


Available also with hole for relief valve.

On request:  
s.s. handle VI/295.

- G** Gasket
- H** Frame height
- V** Handwheel

Mod.	H (mm)	P. max (bar)	Weight (kg)
235	85	0,6	3
236	150	0,6	3,5
237	200	0,6	3,8



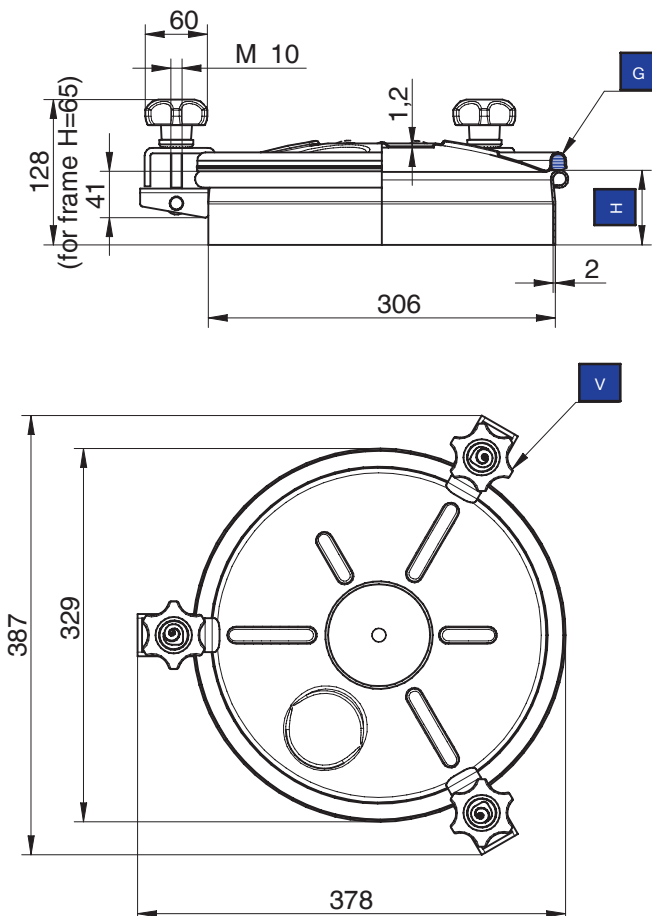
# mod. 245



Ø 306 - External frame

## Round manhole cover.

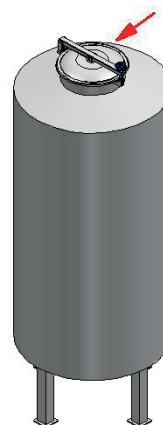
Standard with EPDM gasket G/TR300 and blue nylon handwheel MEC/60. Gasket on cover not glued.  
AISI 304L-14307 / AISI 316L-14404



Available also with hole for relief valve.  
On request:  
s.s. handle VI/295.

- G** Gasket
- H** Frame height
- V** Handwheel

Mod.	H (mm)	P. max (bar)	Weight (kg)
245	65	0,1	3,2
246	100	0,1	3,8
247	150	0,1	4,6
248	200	0,1	5,4





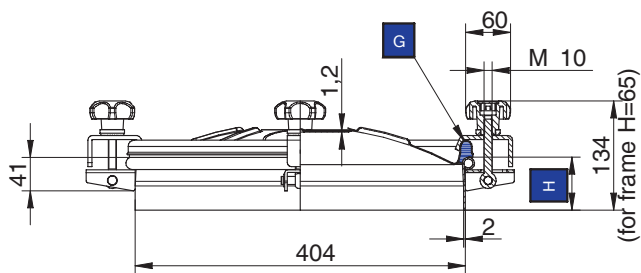
# mod. 255



Ø 404 - External frame

## Round manhole cover.

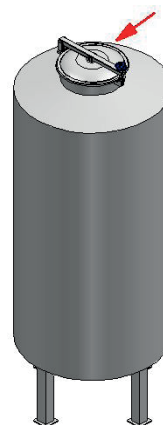
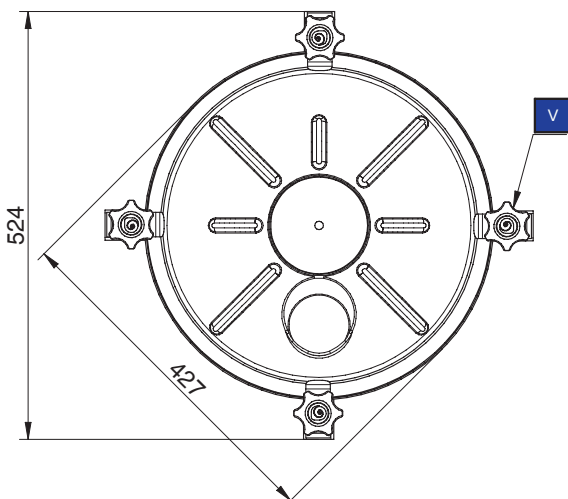
Standard with EPDM gasket G/AE and blue nylon handwheel MEC/60. Gasket on cover not glued.  
AISI 304L-14307 / AISI 316L-14404



Available also with hole for relief valve.  
On request:  
s.s. handle VI/295.

- G** Gasket
- H** Frame height
- V** Handwheel

Mod.	H (mm)	P. max (bar)	Weight (kg)
255	65	0,2	5
256	100	0,2	5,8
257	150	0,2	7
258	200	0,2	8,2



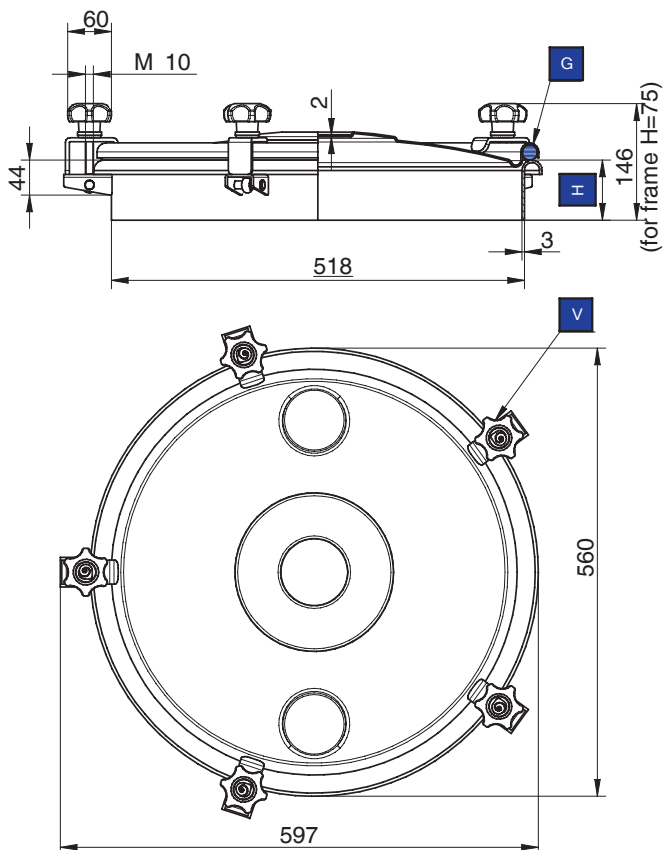
# mod. 275



Ø 518 - External frame

## Round manhole cover.

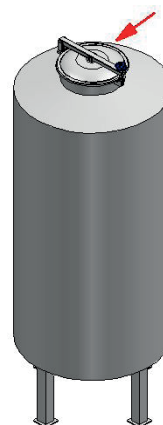
Standard with EPDM gasket G/TR500 and blue nylon handwheel MEC/60. Gasket on cover not glued.  
AISI 304L-14307 / AISI 316L-14404



Available also with hole for relief valve.  
On request:  
s.s. handle VI/295.

- G** Gasket
- H** Frame height
- V** Handwheel

Mod.	H (mm)	P. max (bar)	Weight (kg)
275	75	0,2	10,7
276	100	0,2	11,8
277	150	0,2	13,6
278	200	0,2	15,4



# mod. 3V/200



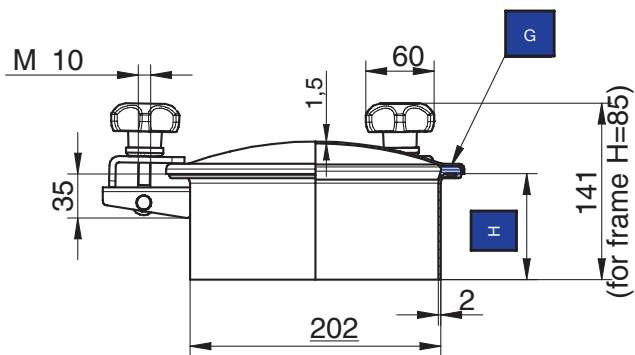
Ø 202 - External frame

## Round manhole cover.

Standard with EPDM gasket G/T200 and blue nylon handwheel MEC/60.

Gasket on frame not glued.

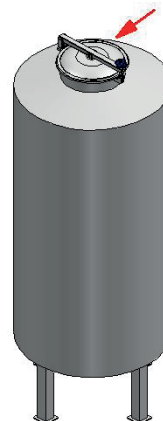
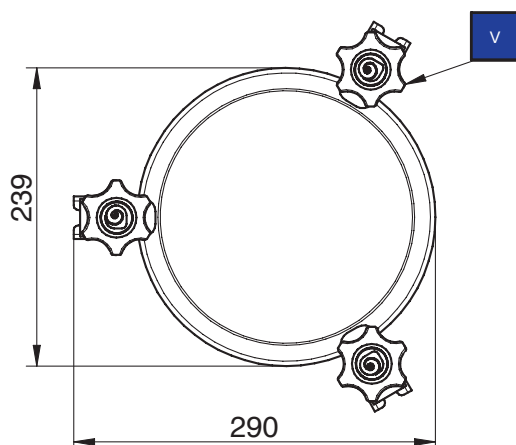
AISI 304L-14307 / AISI 316L-14404



On request:  
s.s. handle VI/295.

- G** Gasket
- H** Frame height
- V** Handwheel

Mod.	H (mm)	P. max (bar)	Weight (kg)
3V/200	85	0,4	2,6
3V/201	150	0,4	3,3
3V/202	200	0,4	3,9



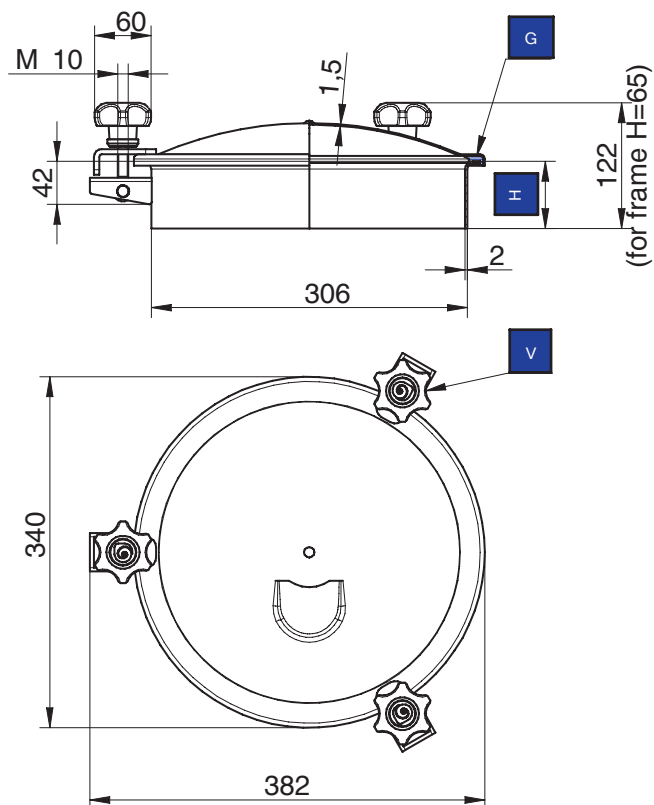
# mod. 3V/300



Ø 306 - External frame

## Round manhole cover.

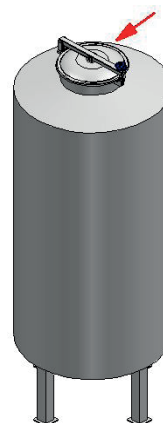
Standard with EPDM gasket G/T300 and blue nylon handwheel MEC/60. Gasket on frame not glued.  
 AISI 304L-14307 / AISI 316L-14404



On request:  
 s.s. handle VI/295.

- G** Gasket
- H** Frame height
- V** Handwheel

Mod.	H (mm)	P. max (bar)	Weight (kg)
3V/300	65	0,15	3,3
3V/301	100	0,15	3,7
3V/302	150	0,15	4,3
3V/303	200	0,15	4,8



# mod. 4V/400



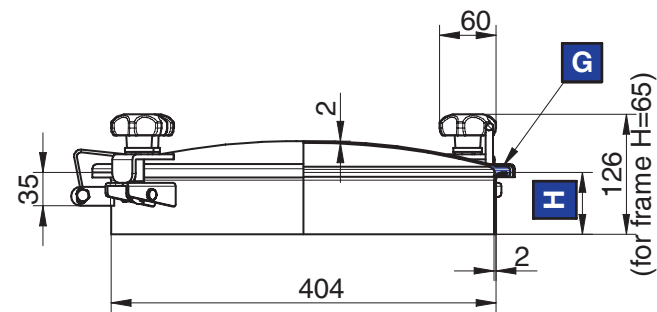
Ø 404 - External frame

## Round manhole cover with back side opening.

Standard with EPDM gasket G/T400 and blue nylon handwheel MEC/60.

Gasket on frame not glued.

AISI 304L-14307 / AISI 316L-14404



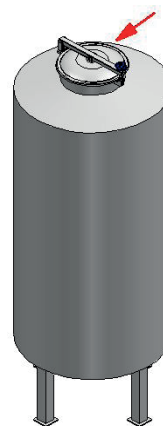
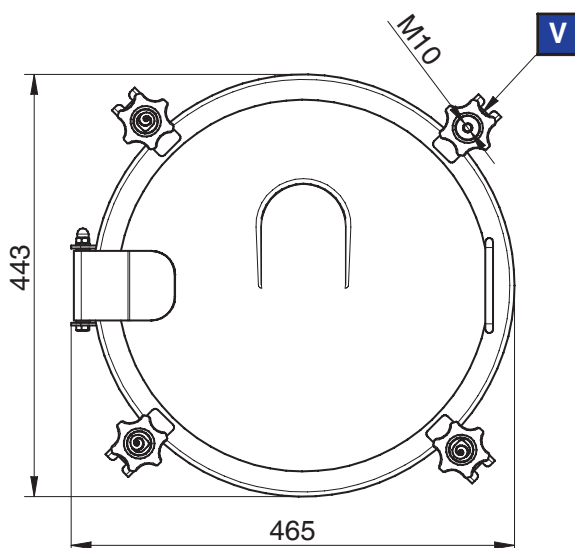
Available also with hole for relief valve.

On request:

s.s. handle VI/295 and side-swing opening.

- G** Gasket
- H** Frame height
- V** Handwheel

Mod.	H (mm)	P. max (bar)	Weight (kg)
4V/400	65	0,2	6,2
4V/401	100	0,2	7
4V/402	150	0,2	8
4V/403	200	0,2	9



# mod. N/240/4V



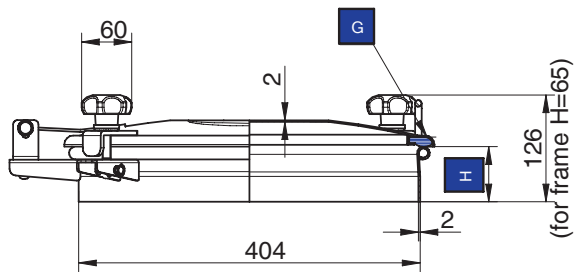
Ø 404 - External frame

## Round manhole cover with back-side and side-swing opening.

Standard with EPDM gasket G/NL250 and blue nylon handwheel MEC/60.

Gasket on cover not glued.

AISI 304L-14307 / AISI 316L-14404

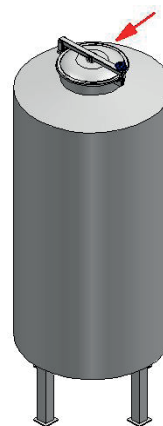
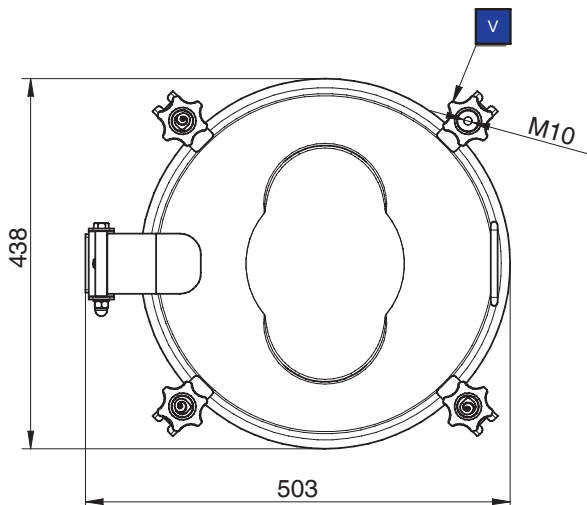


Standard cover with double seat  
Available also with hole for relief valve.

On request:  
s.s. handle V/I/295.

- G** Gasket
- H** Frame height
- V** Handwheel

Mod.	H (mm)	P. max (bar)	Weight (kg)
N/240/4V	65	0,2	5,6
N/241/4V	100	0,2	6,3
N/242/4V	150	0,2	7,3
N/243/4V	200	0,2	8,3





# mod. 5V/450



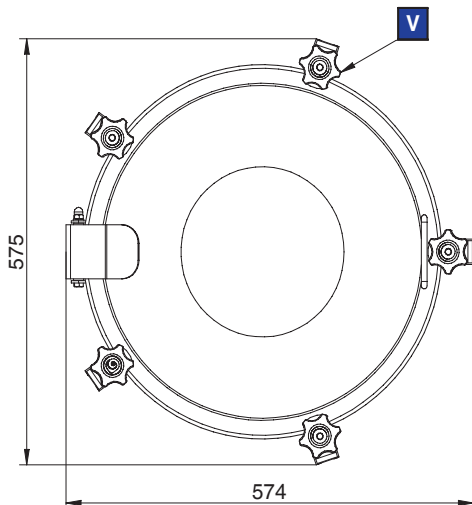
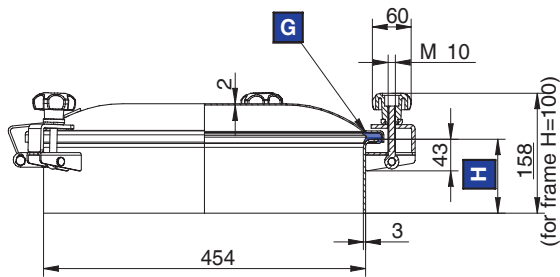
Ø 454 - External frame

## Round manhole cover with back side opening.

Standard with EPDM gasket G/T450 and blue nylon handwheel MEC/60.

Gasket on frame not glued.

AISI 304L-14307 / AISI 316L-14404



Available also with hole for relief valve.

On request:

s.s. handle VI/295 and side swing opening.

- G** Gasket
- H** Frame height
- V** Handwheel

Mod.	H (mm)	P. max (bar)	Weight (kg)
5V/450	100	0,5	10
5V/451	150	0,5	11,6
5V/452	200	0,5	13,2



# mod. 6V/250



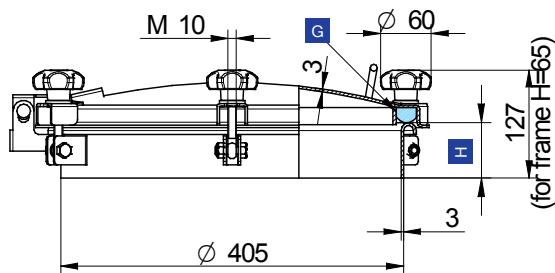
Ø 405 - External frame

## Round manhole cover with back side opening.

Standard with EPDM gasket G/6V250 and blue nylon handwheel MEC/60.

Gasket on cover not glued.

AISI 304L-14307 / AISI 316L-14404



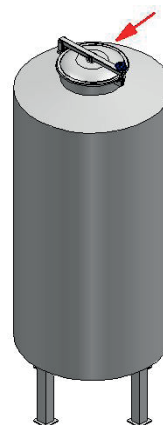
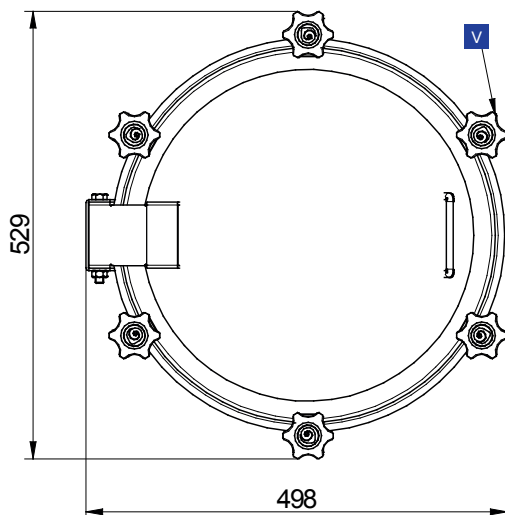
### Complying with PED guidelines.

On request:

s.s. handle VI/295 and side-swing opening.

- G** Gasket
- H** Frame height
- V** Handwheel

Mod.	H (mm)	P. max (bar)	Weight (kg)
6V/250	65	1,2	7,9
6V/251	100	1,2	8,5
6V/252	150	1,2	9,4
6V/253	200	1,2	10,2



# mod. 6V/500



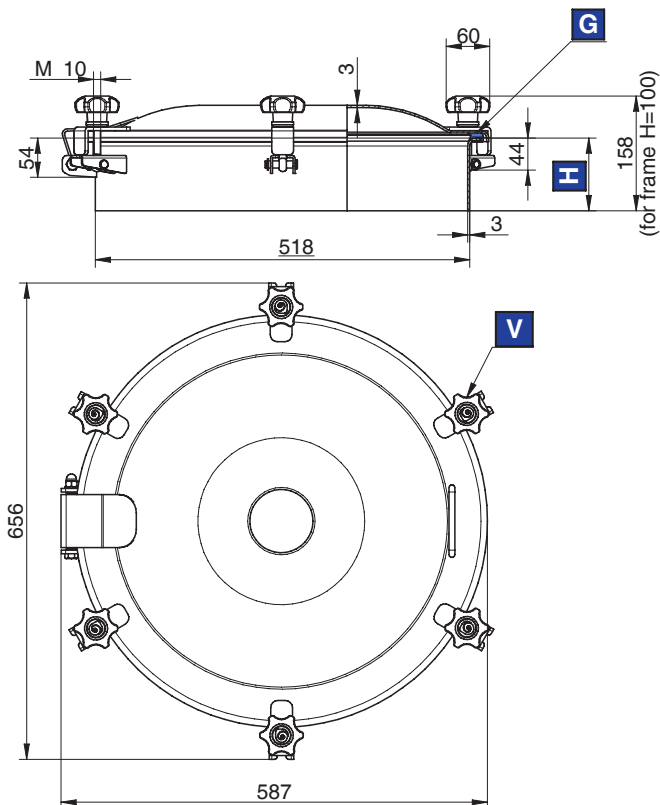
Ø 518 - External frame

## Round manhole cover with back side opening.

Standard with EPDM gasket G/T500 and blue nylon handwheel MEC/60.

Gasket on frame not glued.

AISI 304L-14307 / AISI 316L-14404



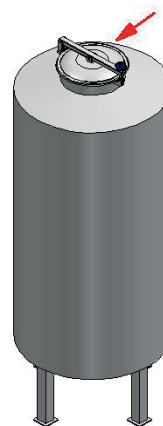
Available also with hole for relief valve.

On request:

s.s. handle VI/295 and side-swing opening.

- G** Gasket
- H** Frame height
- V** Handwheel

Mod.	H (mm)	P. max (bar)	Weight (kg)
6V/500	100	0,5	12,3
6V/501	150	0,5	13,9
6V/502	200	0,5	15,5



# mod. 8V/600



Ø 620 - External frame

## Round manhole cover with back side opening.

Standard with EPDM gasket G/T600 and blue nylon handwheel MEC/60.

Gasket on frame not glued.

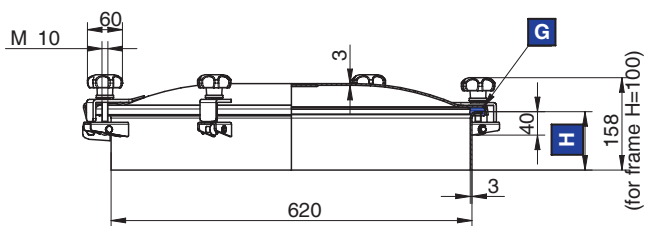
AISI 304L-14307 / AISI 316L-14404



Available also with hole for relief valve.

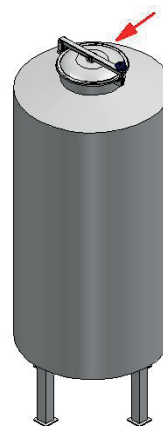
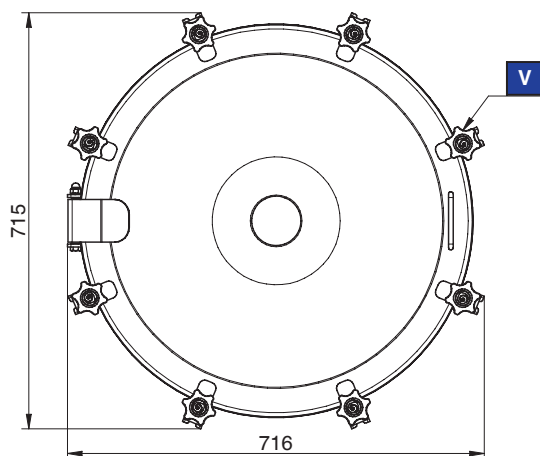
On request:

s.s. handle VI/295 and side-swing opening.



- G Gasket
- H Frame height
- V Handwheel

Mod.	H (mm)	P. max (bar)	Weight (kg)
8V/600	100	0,2	19,2
8V/601	150	0,2	21,9
8V/602	200	0,2	24,6



# mod. 10V/800



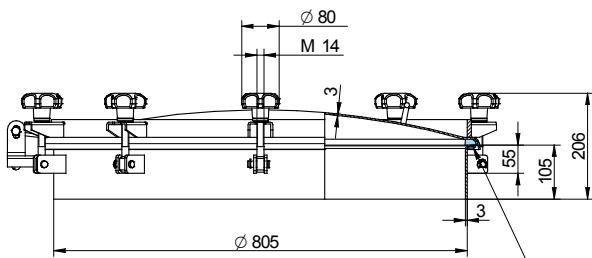
Ø 805 - External frame

## Round manhole cover with back-side and side-swing opening.

Standard with EPDM gasket G/800 and blue nylon handwheel MEC/80.

Gasket on frame not glued.

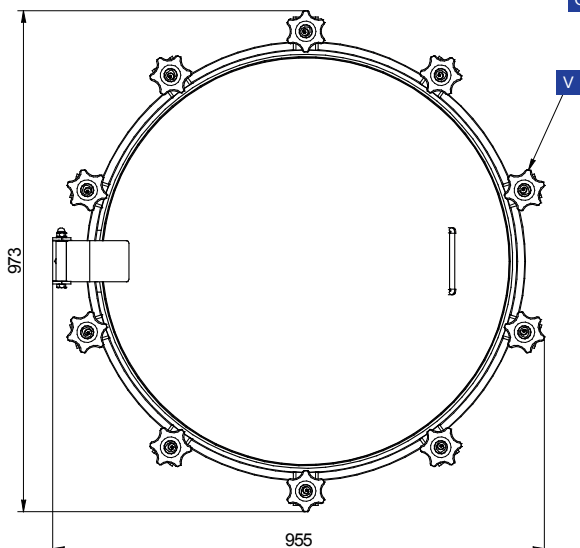
AISI 304L-14307 / AISI 316L-14404



On request:  
s.s. handle VI/170

- G** Gasket
- H** Frame height
- V** Handwheel

Mod.	H (mm)	P. max (bar)	Weight (kg)
10V/800	105	0,2	30,5









## Pressure manhole covers

---

# mod. 300L/E



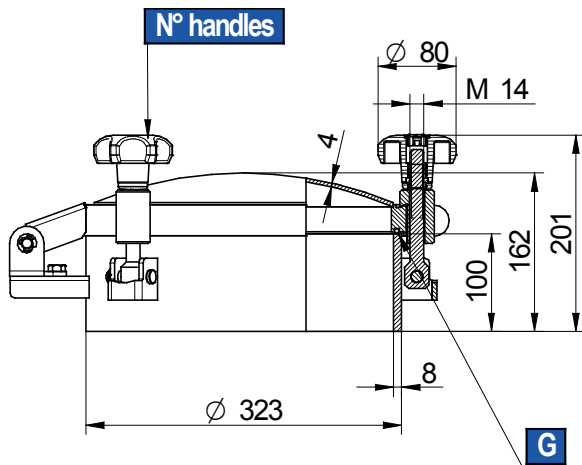
Ø 323- External frame

## Round light pressure manhole cover with back-side and side-swing opening.

Standard with EPDM gasket G/300P, blue nylon handwheel MEC/80.

Gasket on cover not glued.

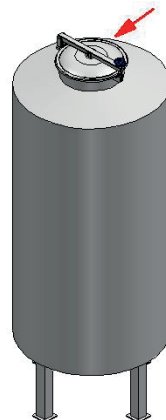
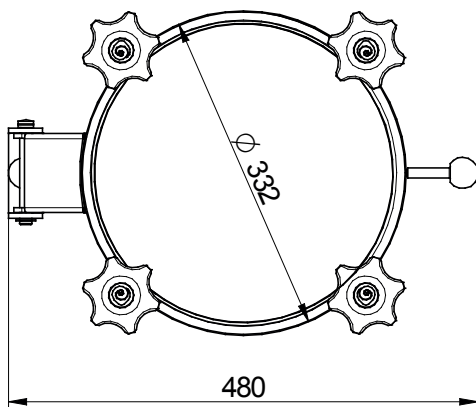
AISI 304L-14307 / AISI 316L-14404



On request:  
s.s. handwheel MEC/80 and VI/170.

**G** Gasket

Mod.	N° Vol.	P. max (bar)	Weight (kg)
300L/E	4	-1 / 2	15,5



# mod. 400L/E



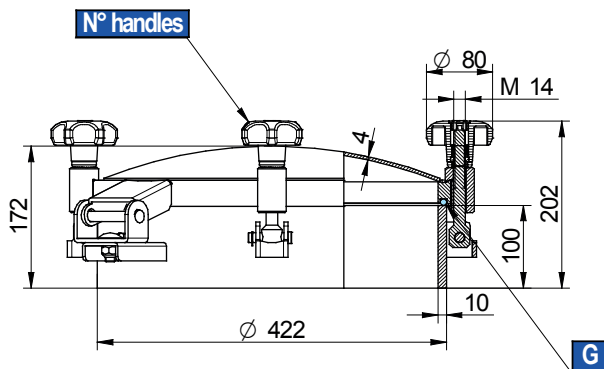
Ø 422- External frame

## Round light pressure manhole cover with back-side and side-swing opening.

Standard with EPDM gasket G/400P, blue nylon handwheel MEC/80.

Gasket on cover not glued.

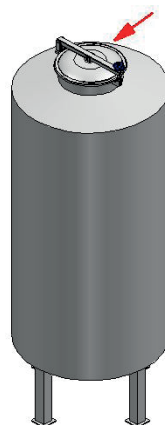
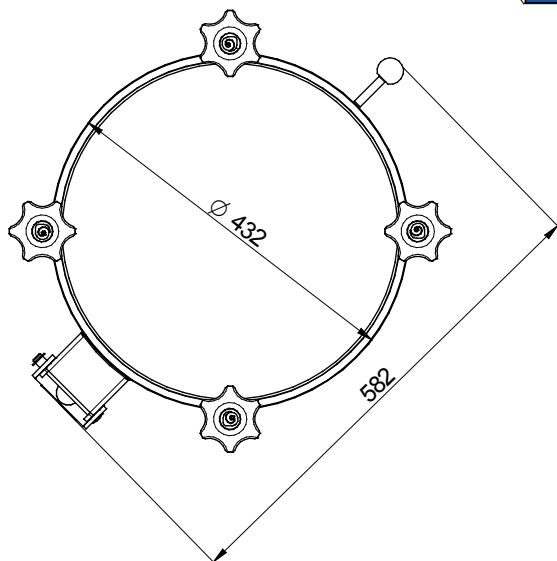
AISI 304L-14307 / AISI 316L-14404



On request:  
s.s. handwheel MEC/80 and VI/170.

**G** Gasket

Mod.	N° Vol.	P. max (bar)	Weight (kg)
400L/E	4	-1 / 2	23



# mod. 450L/E



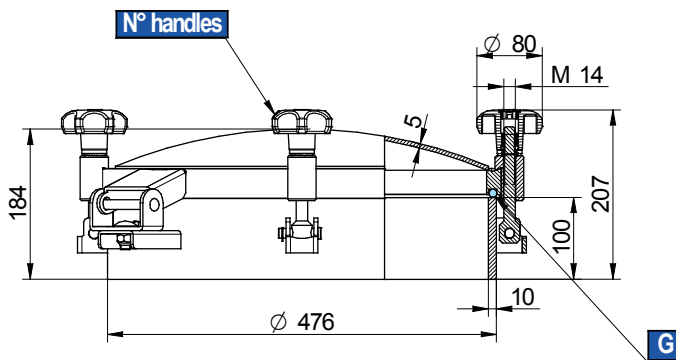
Ø 476- External frame

## Round light pressure manhole cover with back-side and side-swing opening.

Standard with EPDM gasket G/450P, blue nylon handwheel MEC/80.

Gasket on cover not glued.

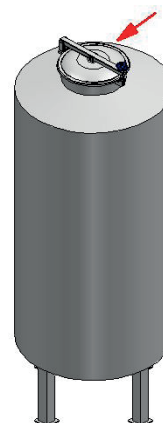
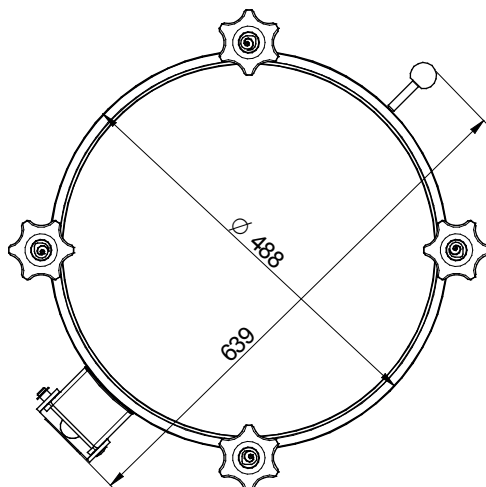
AISI 304L-14307 / AISI 316L-14404



On request:  
s.s. handwheel MEC/80 and VI/170.

**G** Gasket

Mod.	N° Vol.	P. max (bar)	Weight (kg)
450L/E	4	-1 / 2	28,8



# mod. 500L/E

Ø 527- External frame

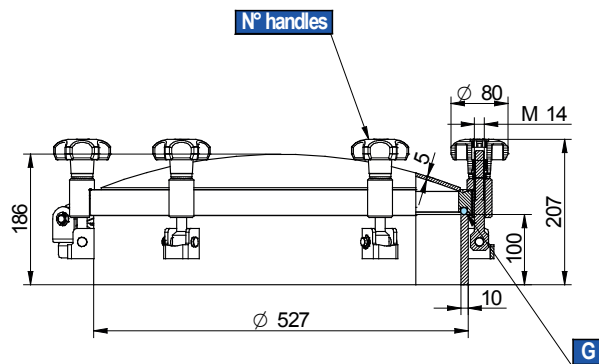


## Round light pressure manhole cover with back-side and side-swing opening.

Standard with EPDM gasket G/500P, blue nylon handwheel MEC/80.

Gasket on cover not glued.

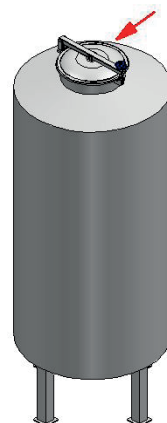
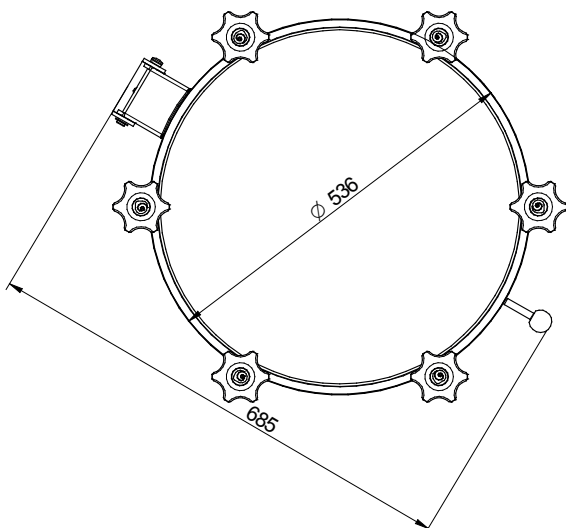
AISI 304L-14307 / AISI 316L-14404



On request:  
s.s. handwheel MEC/80 and VI/170.

**G** Gasket

Mod.	N° Vol.	P. max (bar)	Weight (kg)
500L/E	6	-1 / 2	33,8



# mod. 600L/E



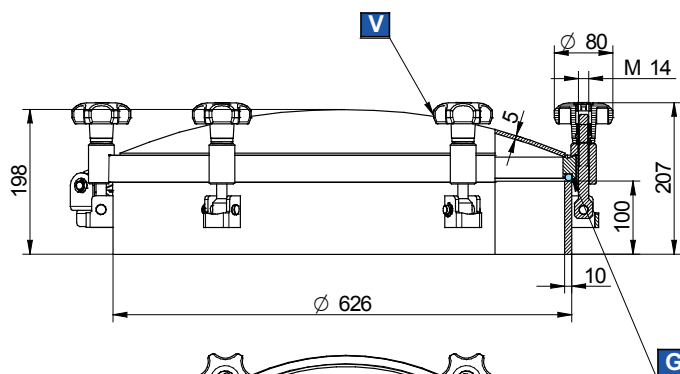
Ø 626- External frame

## Round light pressure manhole cover with back-side opening.

Standard with EPDM gasket G/600P, blue nylon handwheel MEC/80.

Gasket on cover not glued.

AISI 304L-14307 / AISI 316L-14404

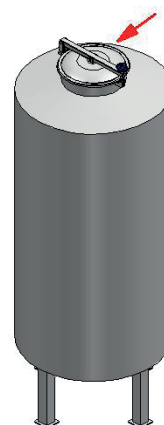
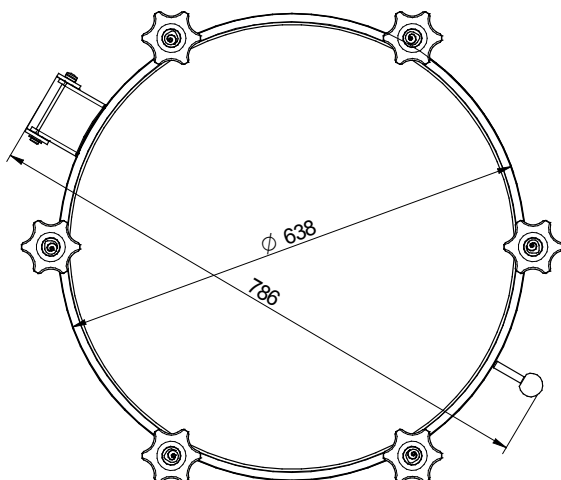


On request:

s.s. handwheel MEC/80 and VI/170.

**G** Gasket

Mod.	N° Vol.	P. max (bar)	Weight (kg)
600L/E	6	-1 / 2	41,3





# mod. 300L



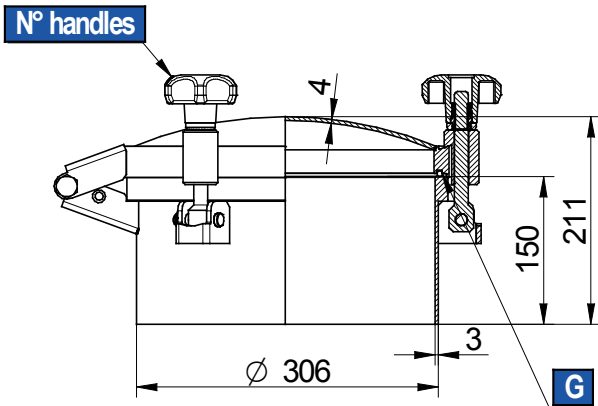
Ø 306 - External frame

## Round light pressure manhole cover with back-side opening.

Standard with EPDM gasket G/300P, blue nylon handwheel MEC/80.

Gasket on cover not glued.

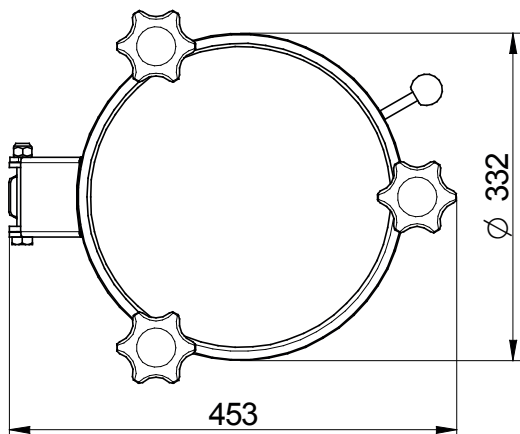
AISI 304L-14307 / AISI 316L-14404



On request:  
s.s. handwheel MEC/80 and VI/170  
side-swing opening.

**G** Gasket

Mod.	N° Vol.	P. max (bar)	Weight (kg)
300L	3	-1/1	15,5



# mod. 400L



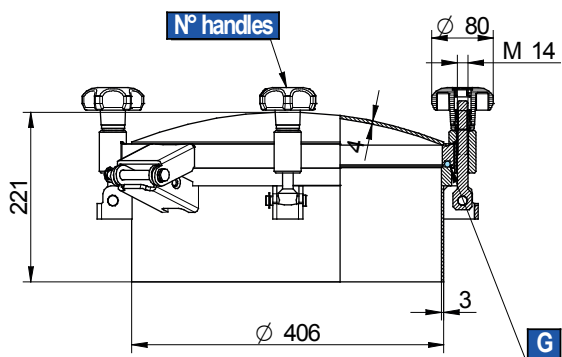
Ø 406 - External frame

## Round light pressure manhole cover with back-side opening.

Standard with EPDM gasket G/400P, blue nylon handwheel MEC/80.

Gasket on cover not glued.

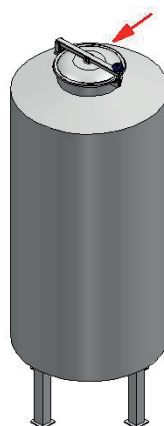
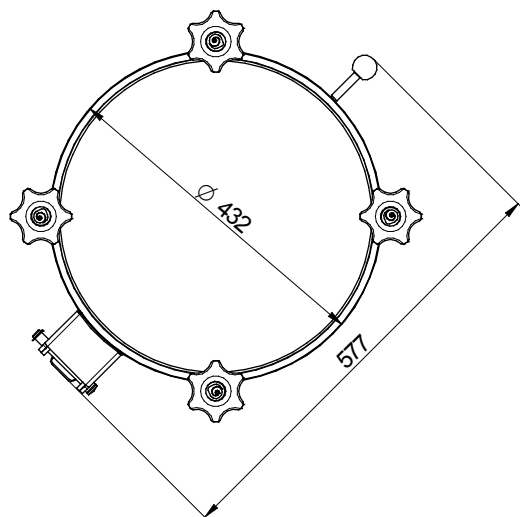
AISI 304L-14307 / AISI 316L-14404



On request:  
s.s. handwheel MEC/80 and VI/170  
side-swing opening.

**G** Gasket

Mod.	N° Vol.	P. max (bar)	Weight (kg)
400L	4	-1/1	21,0



# mod. 450L



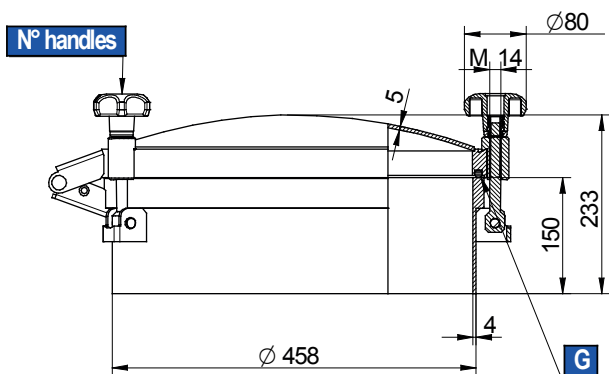
Ø 458 - External frame

## Round light pressure manhole cover with back-side opening.

Standard with EPDM gasket G/450P, blue nylon handwheel MEC/80.

Gasket on cover not glued.

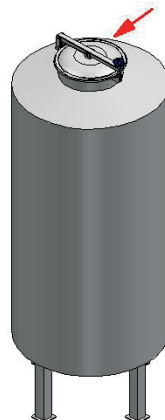
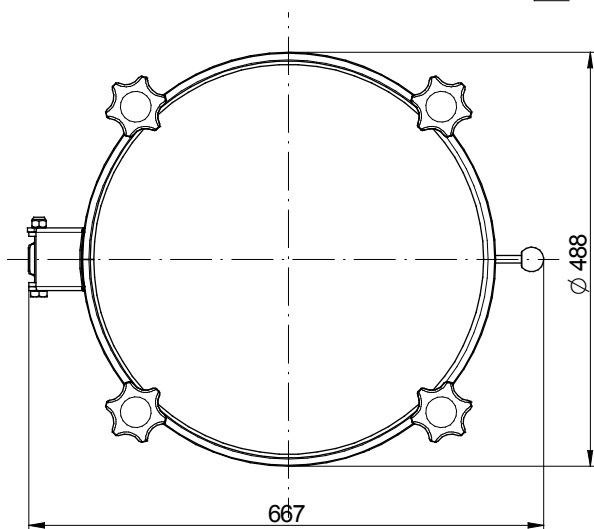
AISI 304L-14307 / AISI 316L-14404



On request:  
s.s. handwheel MEC/80 and VI/170  
side-swing opening.

G Gasket

Mod.	N° Vol.	P. max (bar)	Weight (kg)
450L	4	-1/1	34,1



# mod. 500L



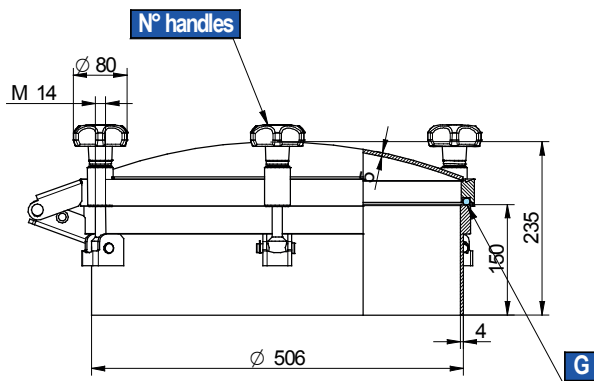
Ø 506- External frame

## Round light pressure manhole cover with back-side opening.

Standard with EPDM gasket G/500P, blue nylon handwheel MEC/80.

Gasket on cover not glued.

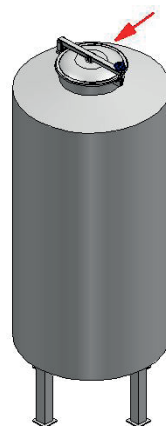
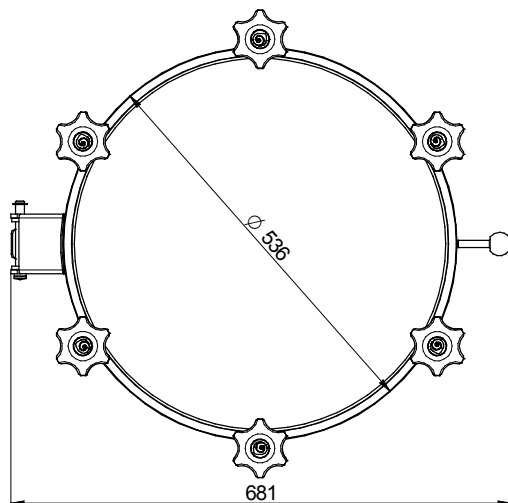
AISI 304L-14307 / AISI 316L-14404



On request:  
s.s. handwheel MEC/80 and VI/170  
side-swing opening.

G Gasket

Mod.	N° Vol.	P. max (bar)	Weight (kg)
500L	6	-1/1	36,8



# mod. 600L



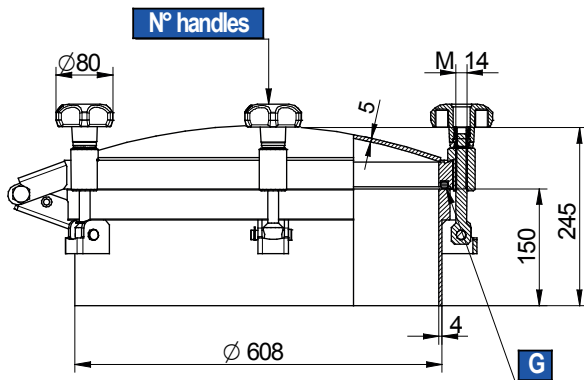
Ø 608 - External frame

## Round light pressure manhole cover with back-side opening.

Standard with EPDM gasket G/600P, blue nylon handwheel MEC/80.

Gasket on cover not glued.

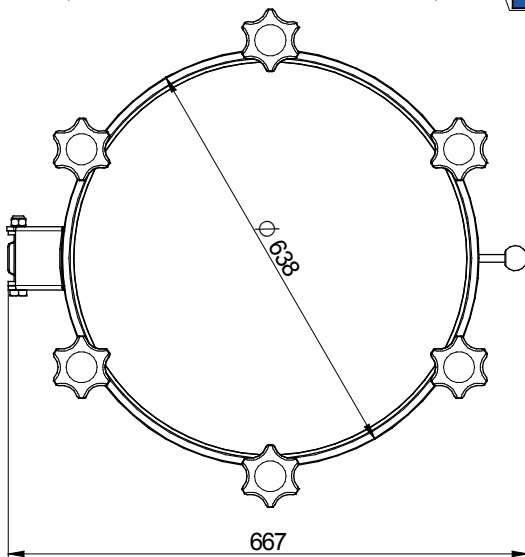
AISI 304L-14307 / AISI 316L-14404



On request:  
s.s. handwheel MEC/80 and VI/170  
side-swing opening.

**G** Gasket

Mod.	N° Vol.	P. max (bar)	Weight (kg)
600L	6	-1/1	48,3



# mod. 300P



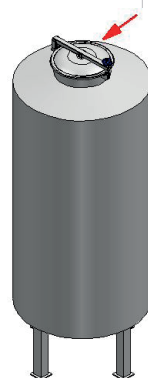
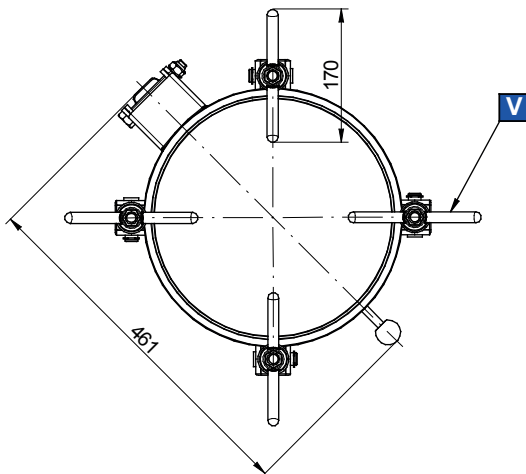
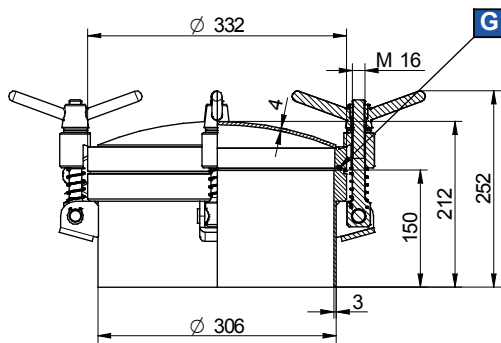
Ø 306- External frame

## Round pressure manhole cover with back-side opening.

Standard with EPDM gasket G/300P, s.s.handle VI/165.

Gasket on cover not glued.

AISI 304L-14307 / AISI 316L-14404



## Complying with PED guidelines.

On request:

blue nylon handwheel MEC/80, s.s. handwheel MEC/80

Side-swung opening

Shear pin available the back-side opening version only

**G** Gasket

**V** Handwheel

Mod.	N° Vol.	P. max (bar)	T.min C°/T.maxC°	Weight (kg)
300P	4	-1/5,4	-15°/100°	19,3
	4	-1/5,3	-15°/150°	
	4	-1/4,8	-15°/200°	
	6	-1/6,6	-15°/100°	20,8
	6	-1/6,1	-15°/150°	
	6	-1/5,4	-15°/200°	



# mod. 400P



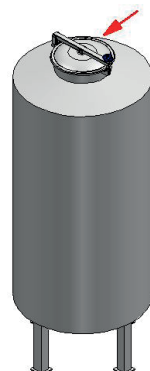
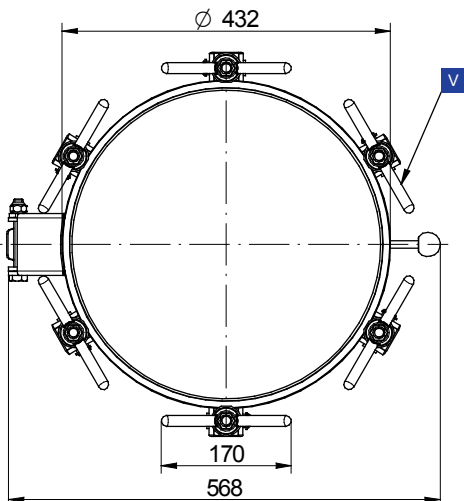
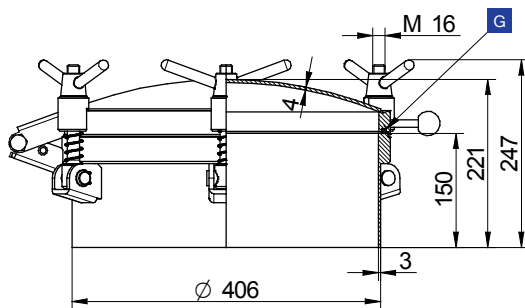
Ø 406mm - External frame

## Round pressure manhole cover with back-side opening.

Standard with EPDM gasket G/300P, s.s.handle VI/165.

Gasket on cover not glued.

AISI 304L-14307 / AISI 316L-14404



## Complying with PED guidelines.

On request:

blue nylon handwheel MEC/80, s.s. handwheel MEC/80

Side-swing opening

Shear pin available the back-side opening version only

**G** Gasket

**V** Handwheel

Mod.	N° Vol.	P. max (bar)	T.min C° / T.max C°	Weight (kg)
400P	4	-1 / 3	-15° / 100°	27,0
	4	-1 / 3	-15° / 150°	
	4	-1 / 3	-15° / 200°	
	6	-1 / 4,3	-15° / 100°	27,5
	6	-1 / 3,6	-15° / 150°	
	6	-1 / 3,3	-15° / 200°	
	8	-1 / 4,3	-15° / 100°	28,0
	8	-1 / 4	-15° / 150°	
	8	-1 / 3,8	-15° / 200°	

# mod. 450P



Ø 458mm - External frame

## Round light pressure manhole cover, with back-side opening.

Standard with EPDM gasket G/300P, s.s.handle VI/165.

Gasket on cover not glued.

AISI 304L-14307 / AISI 316L-14404



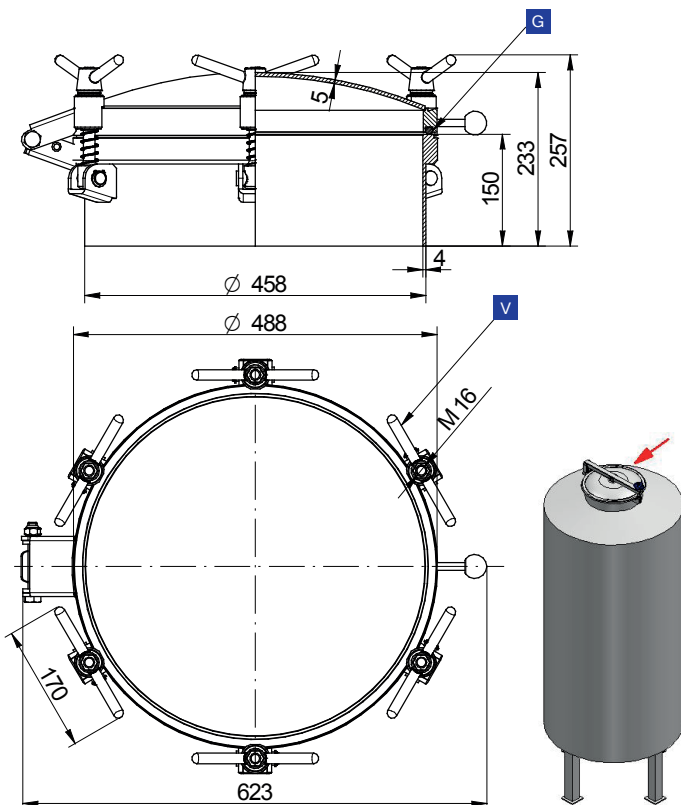
### Complying with PED guidelines.

On request:

blue nylon handwheel MEC/80, s.s. handwheel MEC/80

Side-swing opening

Shear pin available the back-side opening version only



**G** Gasket

**V** Handwheel

Mod.	N° Vol.	P. max (bar)	T.min C° / T.max C°	Weight (kg)
450P	4	-1 / 2,6	-15° / 100°	36,2
	4	-1 / 2,6	-15° / 150°	
	4	-1 / 2,6	-15° / 200°	
	6	-1 / 3,9	-15° / 100°	36,7
	6	-1 / 3,8	-15° / 150°	
	6	-1 / 3,5	-15° / 200°	
	8	-1 / 4,9	-15° / 100°	37,2
	8	-1 / 4,6	-15° / 150°	
	8	-1 / 4,1	-15° / 200°	
	10	-1 / 5	-15° / 100°	37,8
	10	-1 / 4,6	-15° / 150°	
	10	-1 / 4,4	-15° / 200°	

# mod. 500P



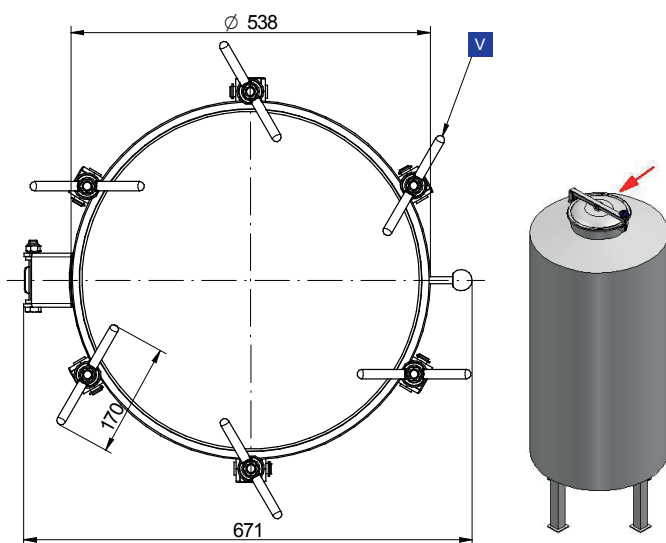
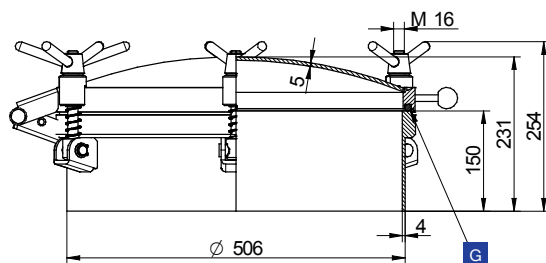
Ø 506mm - External frame

## Round light pressure manhole cover, with back-side opening.

Standard with EPDM gasket G/300P, s.s.handle VI/165.

Gasket on cover not glued.

AISI 304L-14307 / AISI 316L-14404



### Complying with PED guidelines.

On request:

blue nylon handwheel MEC/80, s.s. handwheel MEC/80

Side-swing opening

Shear pin available the back-side opening version only

**G** Gasket

**V** Handwheel

Mod.	N° Vol.	P. max (bar)	T.min C° / T.max C°	Weight (kg)
500P	6	-1 / 3,2	-15° / 100°	40,0
	6	-1 / 3,2	-15° / 150°	
	6	-1 / 3,2	-15° / 200°	
	8	-1 / 4,2	-15° / 100°	40,5
	8	-1 / 3,6	-15° / 150°	
	8	-1 / 3,4	-15° / 200°	
500P	10	-1 / 4,4	-15° / 100°	41,0
	10	-1 / 4,1	-15° / 150°	
	10	-1 / 3,9	-15° / 200°	

# mod. 600P



Ø 608mm - External frame

## Round light pressure manhole cover, with back-side opening.

Standard with EPDM gasket G/300P, s.s.handle VI/165.

Gasket on cover not glued.

AISI 304L-14307 / AISI 316L-14404



**G** Gasket

**V** Handwheel

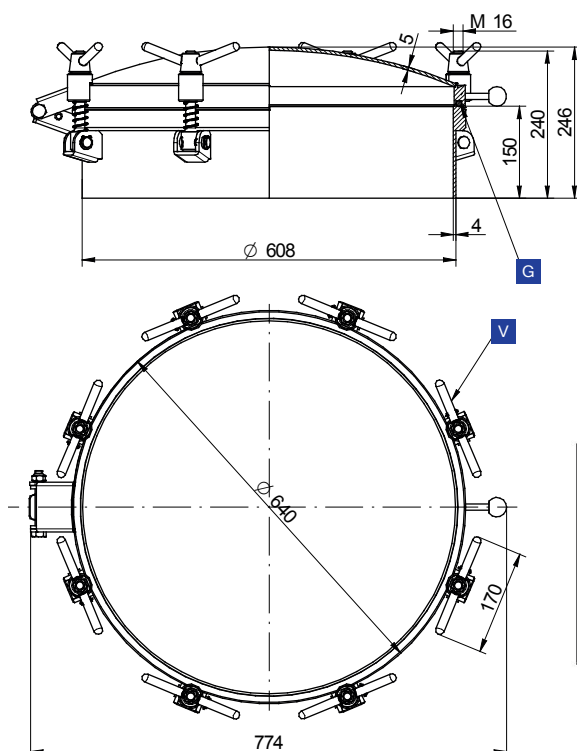
### Complying with PED guidelines.

On request:

blue nylon handwheel MEC/80, s.s. handwheel MEC/80

Side-swing opening

Shear pin available the back-side opening version only



Mod.	N° Vol.	P. max (bar)	T.min C° / T.max C°	Weight (kg)	
600P	6	-1 / 2,1	-15° / 100°	50,0	
	6	-1 / 1,8	-15° / 150°		
	6	-1 / 1,5	-15° / 200°		
	600P	8	-1 / 2,9	-15° / 100°	50,5
		8	-1 / 2,9	-15° / 150°	
		8	-1 / 2,8	-15° / 200°	
	600P	10	-1 / 3,7	-15° / 100°	51,0
		10	-1 / 3,4	-15° / 150°	
		10	-1 / 3,1	-15° / 200°	
		12	-1 / 4,2	-15° / 100°	
	600P	12	-1 / 3,9	-15° / 150°	51,5
		12	-1 / 3,7	-15° / 200°	
600P	14	-1 / 4,2	-15° / 100°	52,0	
	14	-1 / 3,9	-15° / 150°		
600P	14	-1 / 3,7	-15° / 200°		



## Manways and manholes for fiberglass tanks

---

# mod. 14/L



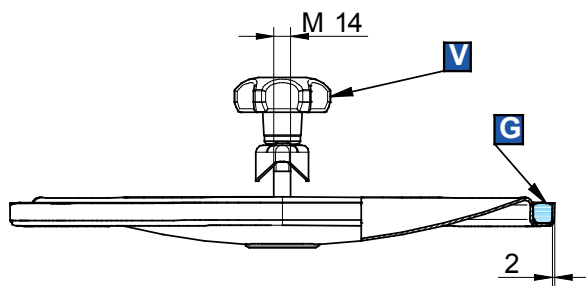
349mm x 455mm- External cover

## Oval manwaydoor, opening inwards.

Standard with EPDM gasket G/170 and black nylon handwheel MEC/80.

Gasket on the cover not glued.

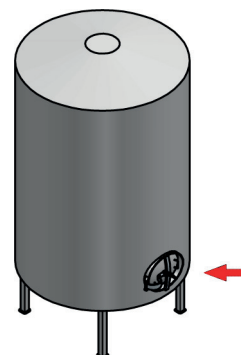
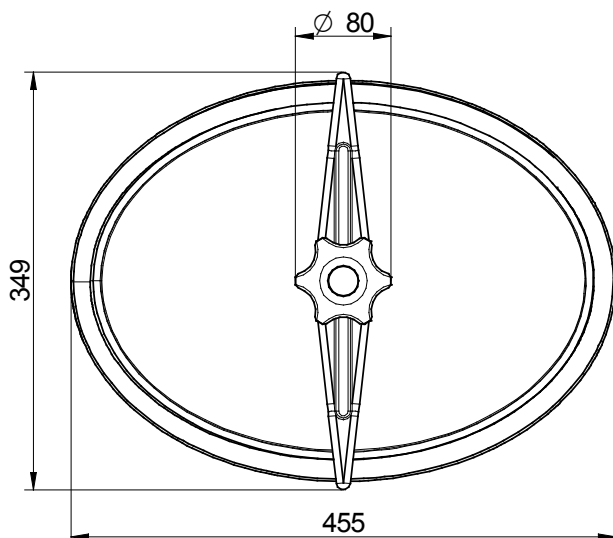
AISI 304L - 14307 / AISI 316L - 14404



On request:  
blue nylon handwheel MEC/150

- G Gasket
- V Handwheel

Mod.	P. max (bar)	Weight (kg)
14/L	0/0	3,7





# mod. 50



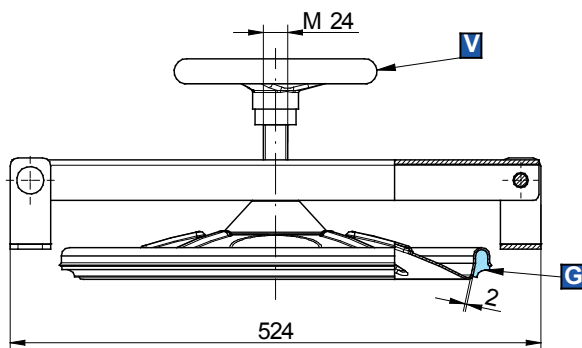
Ø 426mm - External cover

## Round manhole cover.

Standard with EPDM gasket G/AE and blue nylon handwheel MEC/200.

Gasket on the cover not glued.

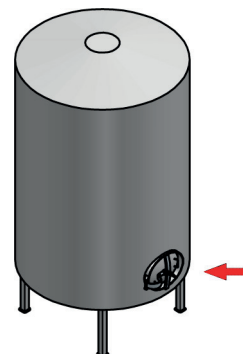
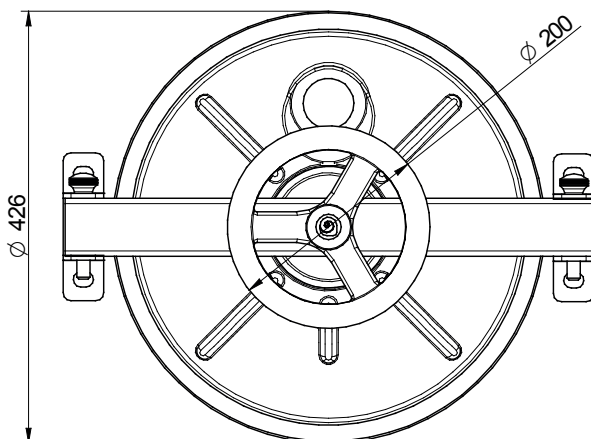
AISI 304L - 14307 / AISI 316L - 14404



On request:  
with s.s. water drip

- G Gasket
- V Handwheel

Mod.	P. max (bar)	Weight (kg)
50	0/0	8,4



# mod. 1400



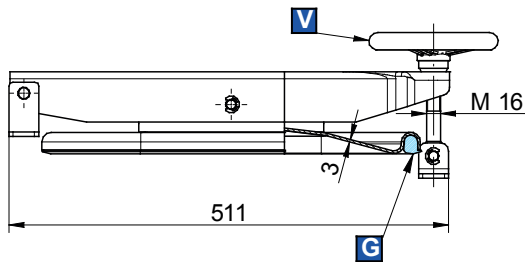
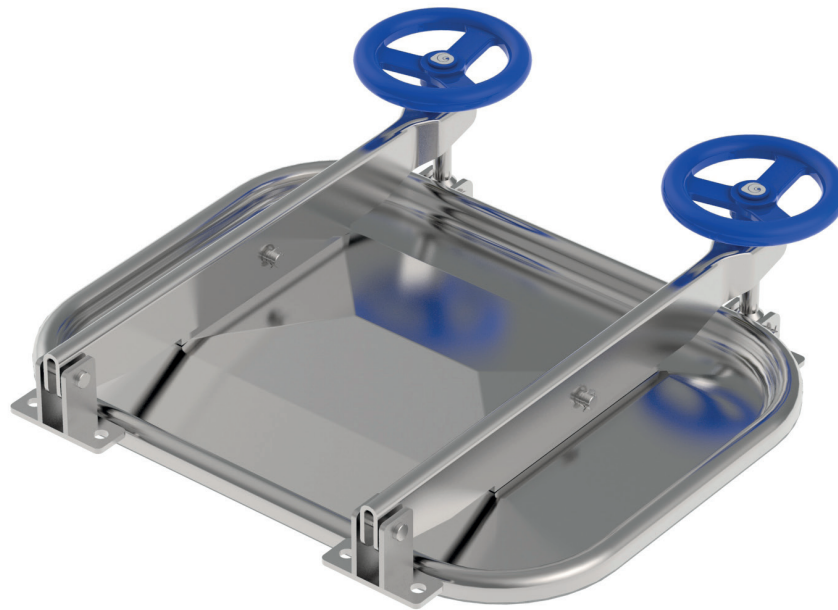
440mm x 563mm- External cover

## Rectangular manwaydoor, opening outwards

Standard with EPDM gasket G/1500 and blue nylon handwheel MEC/150A.

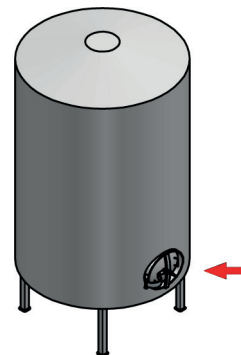
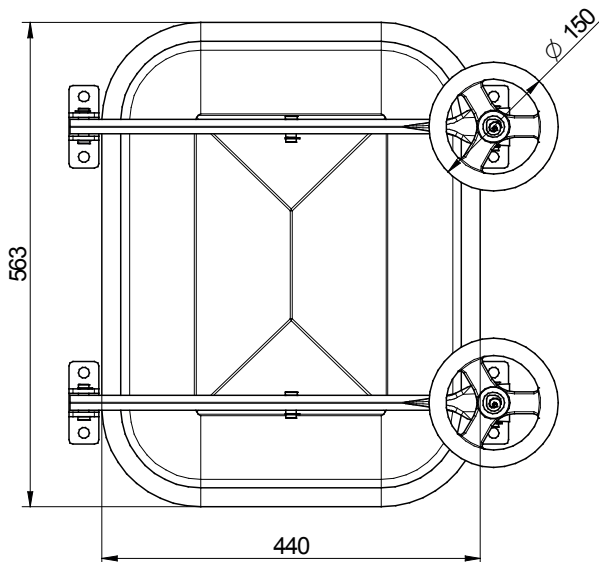
Gasket on the cover not glued.

AISI 304L - 14307 / AISI 316L - 14404



- G Gasket
- V Handwheel

Mod.	P. max (bar)	Weight (kg)
1400	0/0	15,1



# mod. 60



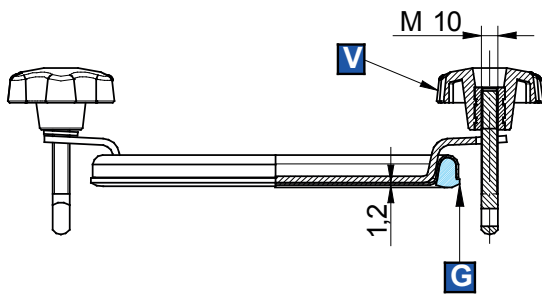
Ø 219mm - External cover

## Round manhole cover.

Standard with EPDM gasket G/P200 and black nylon handwheel MEC/70.

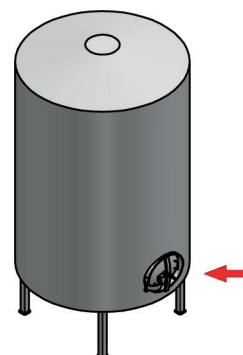
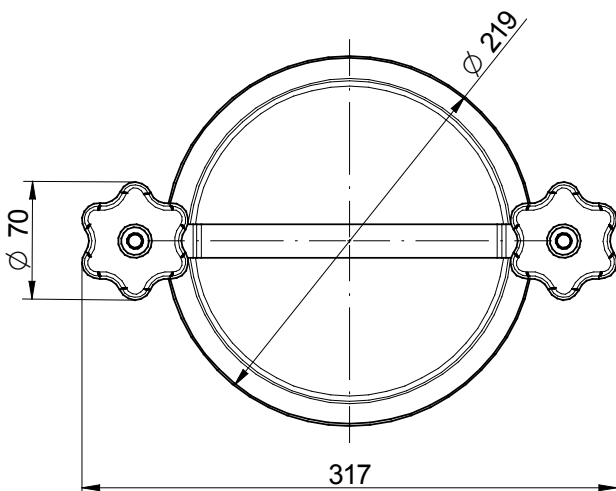
Gasket on the cover not glued.

AISI 304L - 14307 / AISI 316L - 14404



- G Gasket
- V Handwheel

Mod.	P. max (bar)	Weight (kg)
60	0/0	1,1



# mod. 70



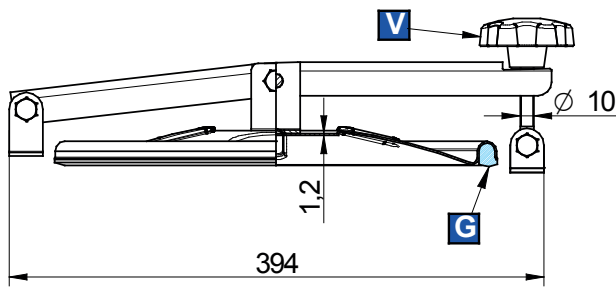
Ø 326mm - External cover

## Round manhole cover.

Standard with EPDM gasket G/TR300 and black nylon handwheel MEC/70.

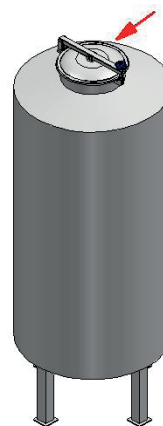
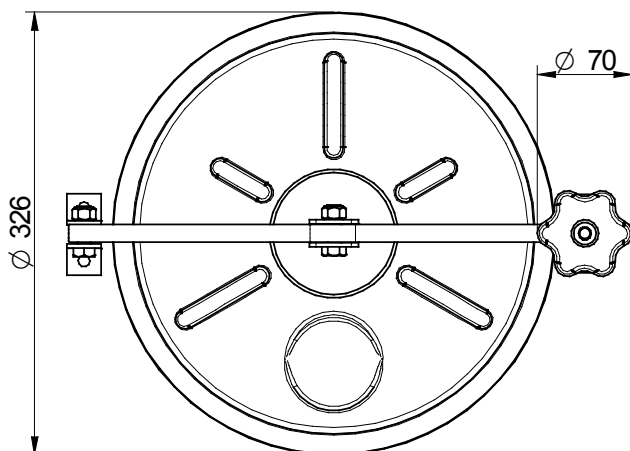
Gasket on the cover not glued.

AISI 304L - 14307 / AISI 316L - 14404



- G** Gasket
- V** Handwheel

Mod.	P. max (bar)	Weight (kg)
70	0/0	2,1



mod. **80**



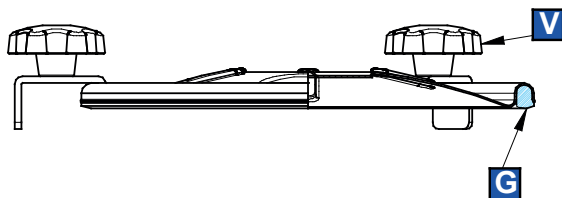
Ø 326mm - External cover

**Round manhole cover.**

Standard with EPDM gasket G/TR300 and black nylon handwheel MEC/70.

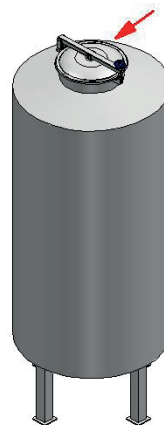
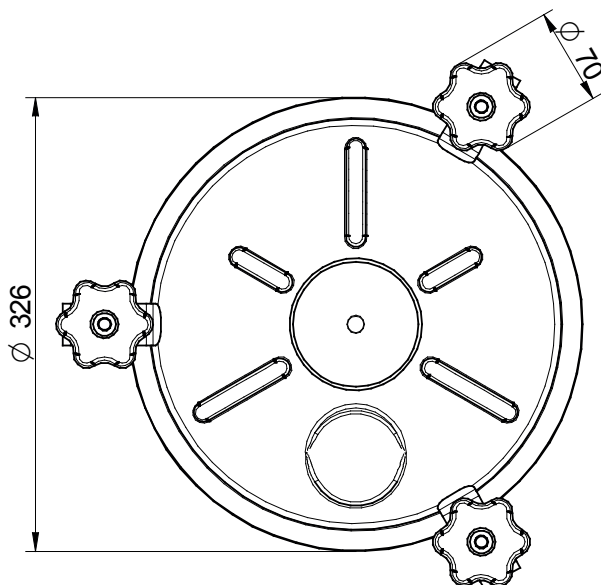
Gasket on the cover not glued.

AISI 304L - 14307 / AISI 316L - 14404



- G** Gasket
- V** Handwheel

Mod.	P. max (bar)	Weight (kg)
80	0/0	1,9



# mod. 90



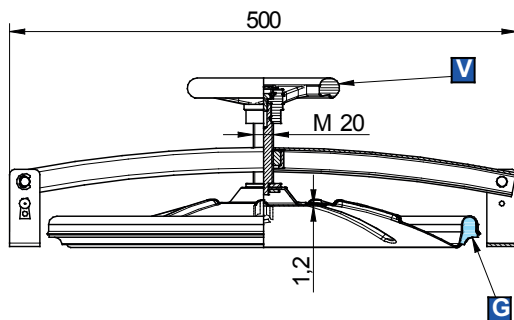
Ø 426mm - External cover

## Round manhole cover.

Standard with EPDM gasket G/AE and blue nylon handwheel MEC/151.

Gasket on the cover not glued.

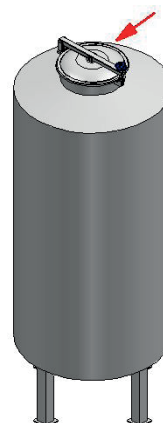
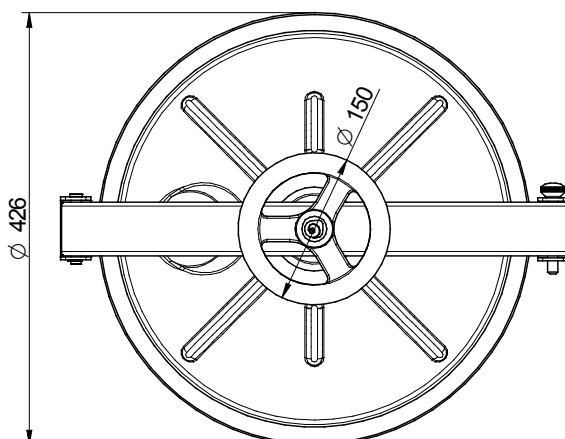
AISI 304L - 14307 / AISI 316L - 14404



On request:  
with hole for relief valve.

- G Gasket
- V Handwheel

Mod.	P. max (bar)	Weight (kg)
90	0/0	4,4





# mod. 100



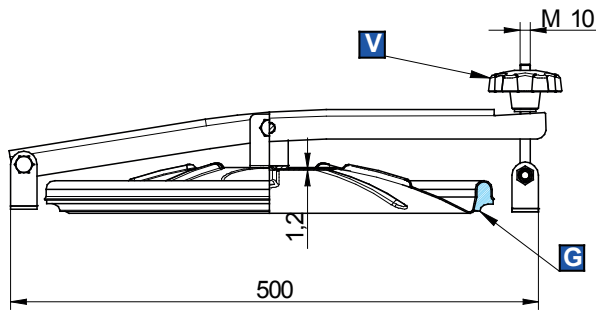
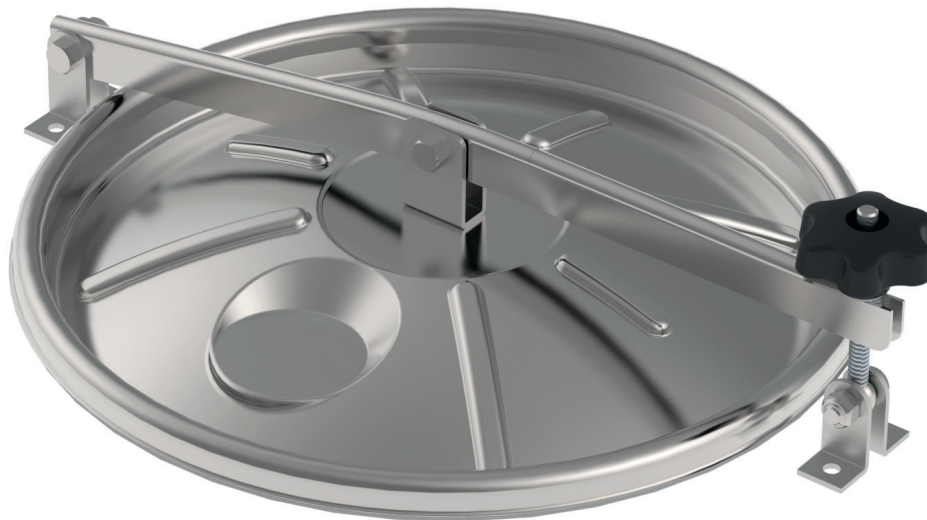
Ø 426mm - External cover

## Round manhole cover.

Standard with EPDM gasket G/AE and black nylon handwheel MEC/70.

Gasket on the cover not glued.

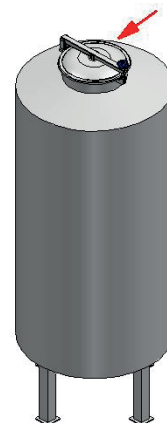
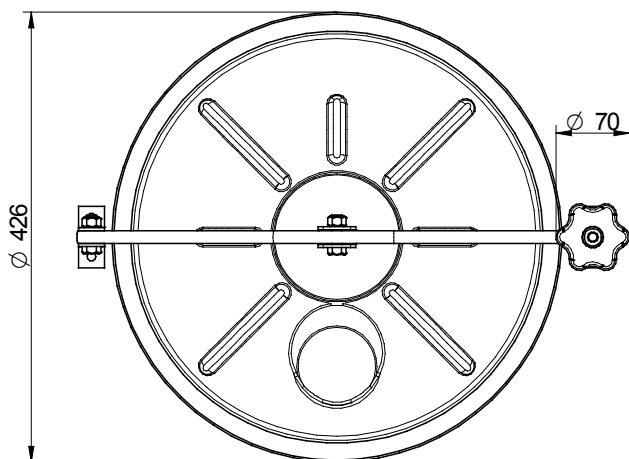
AISI 304L - 14307 / AISI 316L - 14404



On request:  
with hole for relief valve.

- G Gasket
- V Handwheel

Mod.	P. max (bar)	Weight (kg)
100	0/0	3,3



# mod. N/100



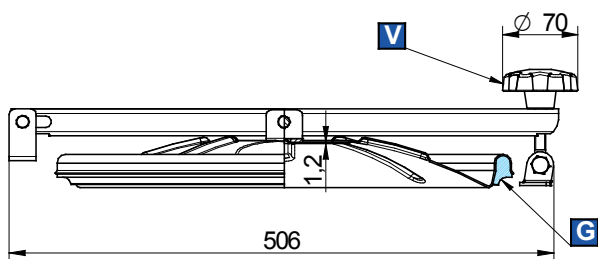
Ø 426mm - External cover

## Round manhole cover.

Standard with EPDM gasket G/AE and black nylon handwheel MEC/70.

Gasket on the cover not glued.

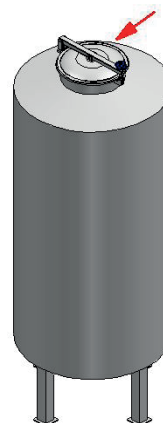
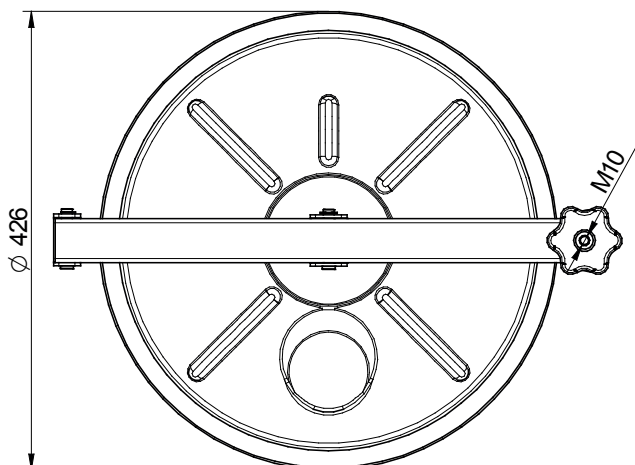
AISI 304L - 14307 / AISI 316L - 14404



On request:  
with hole for relief valve.

- G Gasket
- V Handwheel

Mod.	P. max (bar)	Weight (kg)
N/100	0/0	3,5



# mod. 110



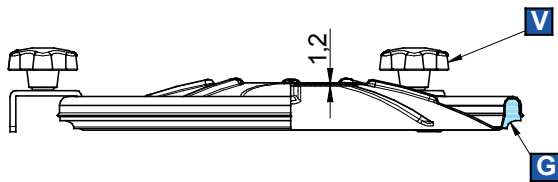
Ø 426mm - External cover

## Round manhole cover.

Standard with EPDM gasket G/AE and black nylon handwheel MEC/70.

Gasket on the cover not glued.

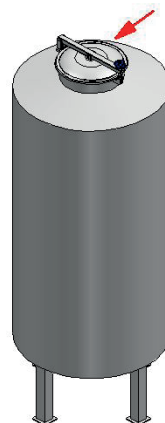
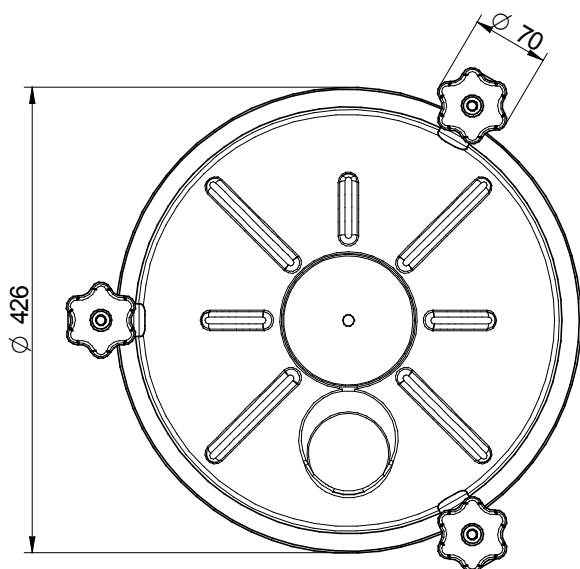
AISI 304L - 14307 / AISI 316L - 14404



On request:  
with hole for relief valve.

- G** Gasket
- V** Handwheel

Mod.	P. max (bar)	Weight (kg)
110	0/0	3,0



# mod. 150



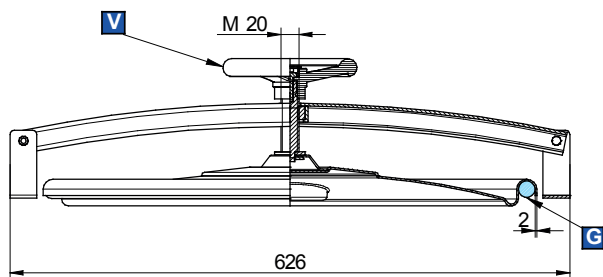
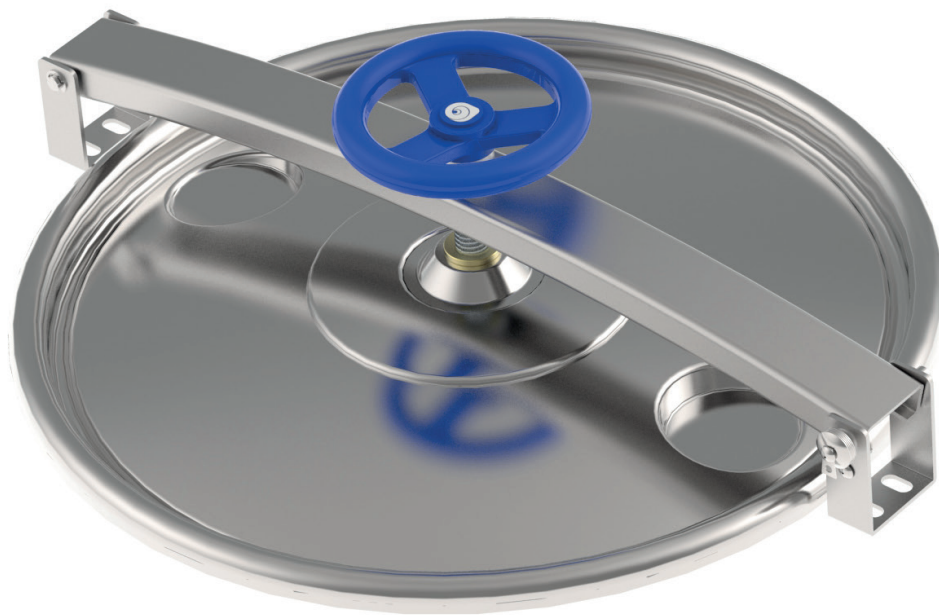
Ø 552mm - External cover

## Round manhole cover.

Standard with EPDM gasket G/TR500 and blue nylon handwheel MEC/151.

Gasket on the cover not glued.

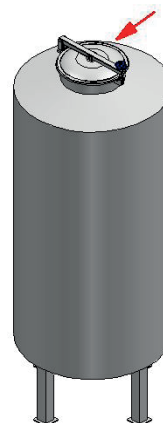
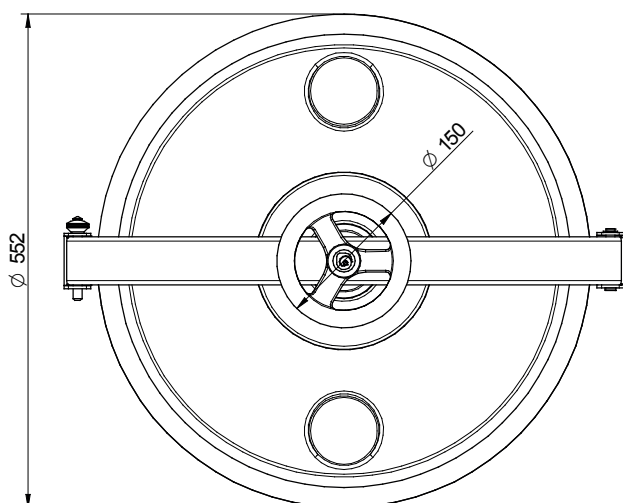
AISI 304L - 14307 / AISI 316L - 14404



On request:  
with hole for relief valve.

- G Gasket
- V Handwheel

Mod.	P. max (bar)	Weight (kg)
150	0/0	8,2



# mod. N/150



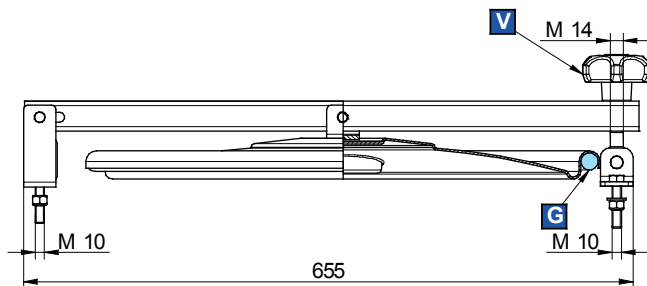
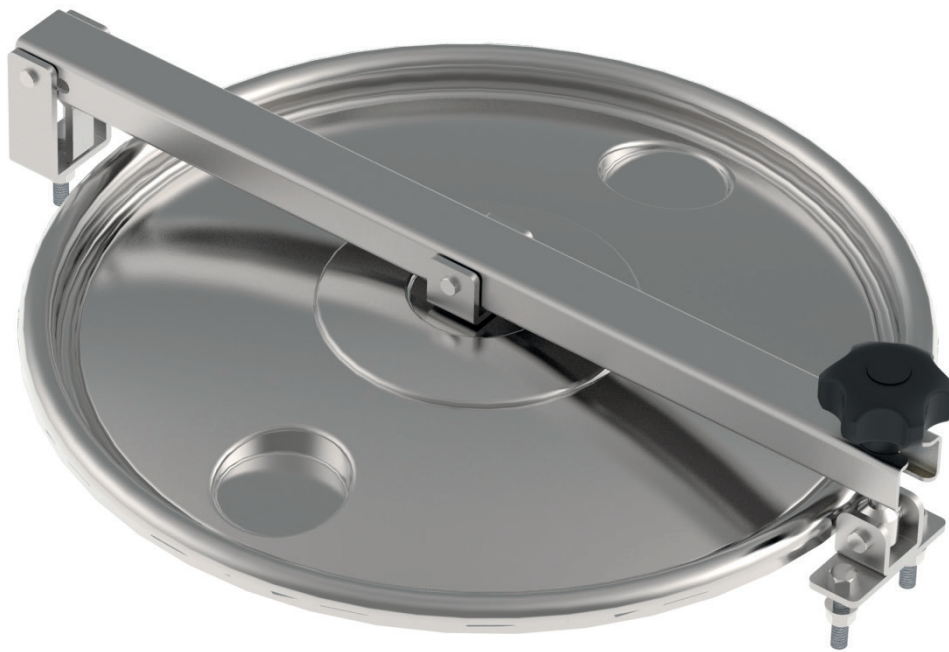
Ø 552mm - External cover

## Round manhole cover with back-side and side-swing opening.

Standard with EPDM gasket G/TR500 and black nylon handwheel MEC/80A.

Gasket on the cover not glued.

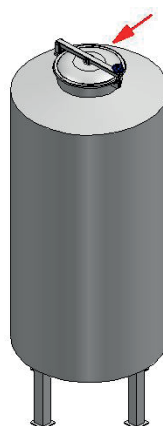
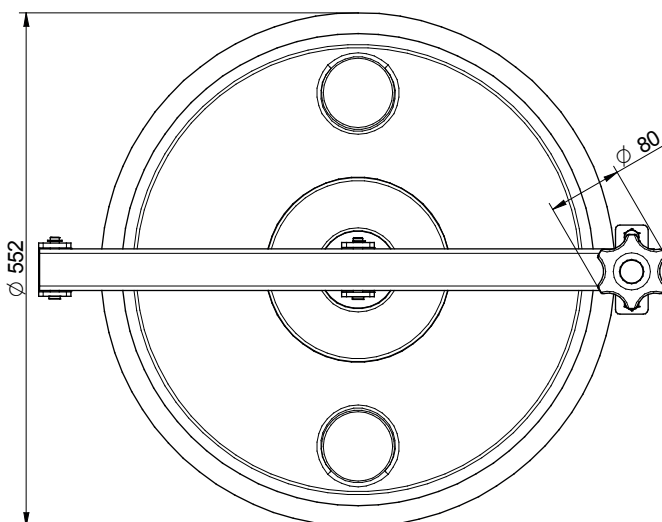
AISI 304L - 14307 / AISI 316L - 14404



On request:  
with hole for relief valve.

- G Gasket
- V Handwheel

Mod.	P. max (bar)	Weight (kg)
N/150	0/0	8,7





## mod. C/330 for concrete



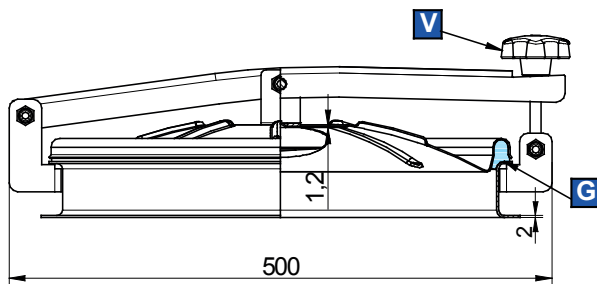
Ø 441mm - External cover

### Round manhole cover.

Standard with EPDM gasket G/AE and black nylon handwheel MEC/70.

Gasket on the cover not glued.

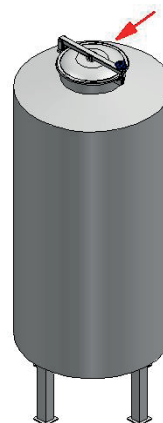
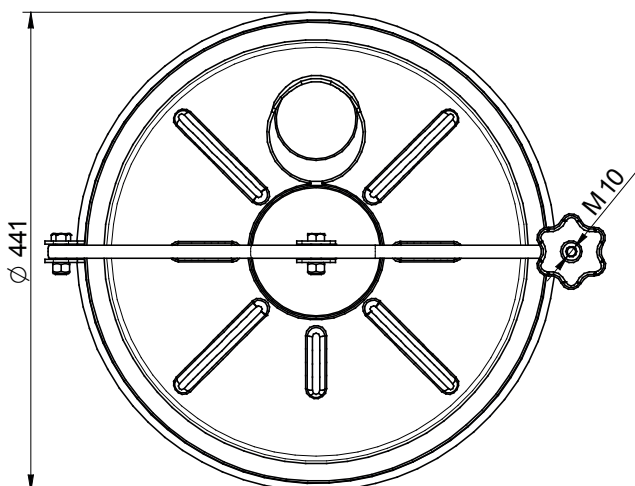
AISI 304L - 14307 / AISI 316L - 14404



On request:  
with hole for relief valve.

- G Gasket
- V Handwheel

Mod.	P. max (bar)	Weight (kg)
C/330	0/0	5,1







## Accessories

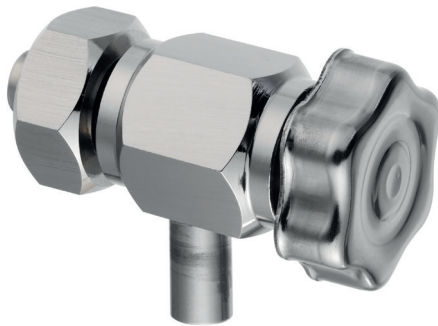
---

## mod. 390/D

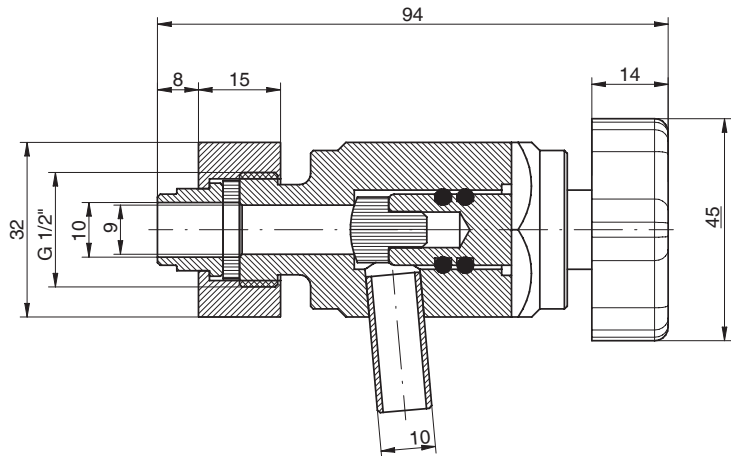


### Sampling valve.

With weld-in threaded connection, nipple and teflon seal.



Mod.	Material	Weight Kg.
390/D	304L	0,37
390/D/B	316L	0,37



## mod. 390

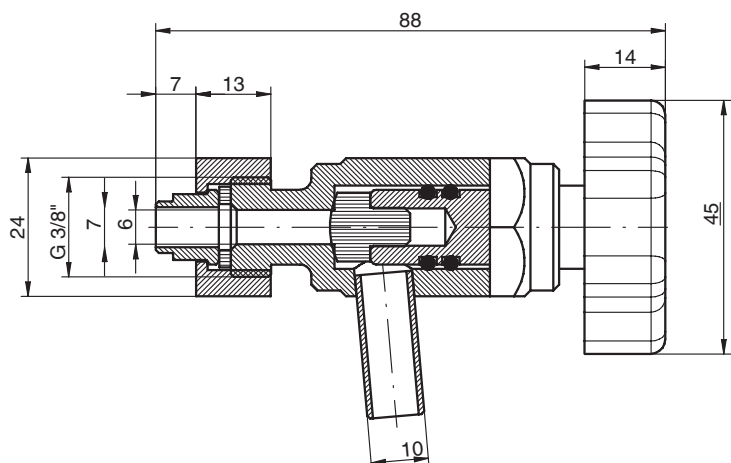


### Sampling valve.

With weld-in threaded connection, nipple and teflon seal.



Mod.	Material	Weight Kg.
390	304L	0,21
390/B	316L	0,21

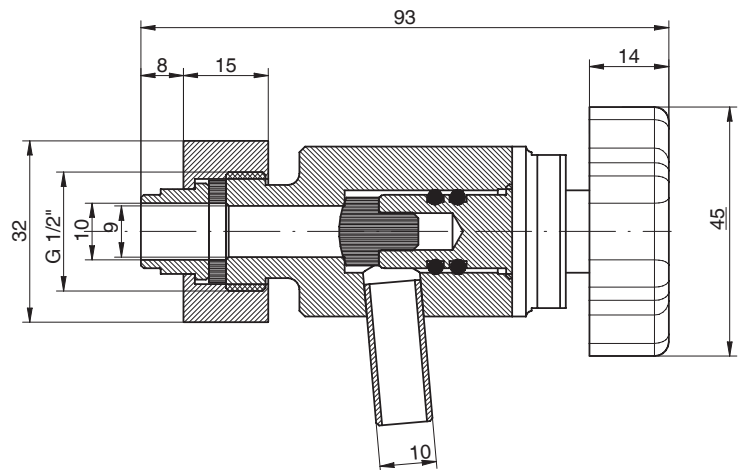


## mod. 390DN



### Sampling valve.

With weld-in threaded connection, nipple and teflon seal.



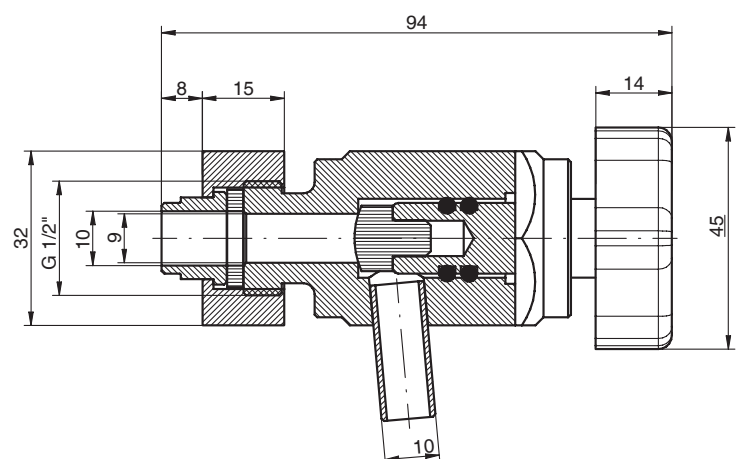
Mod.	Material	Weight Kg.
390DN	304L	0,23
390DN/B	316L	0,23

## mod. 390T



### Sampling valve.

With weld-in threaded connection, nipple and teflon seal.



Mod.	Material	Weight Kg.
390T	304L	0,2
390T/B	316L	0,2

# mod. 410

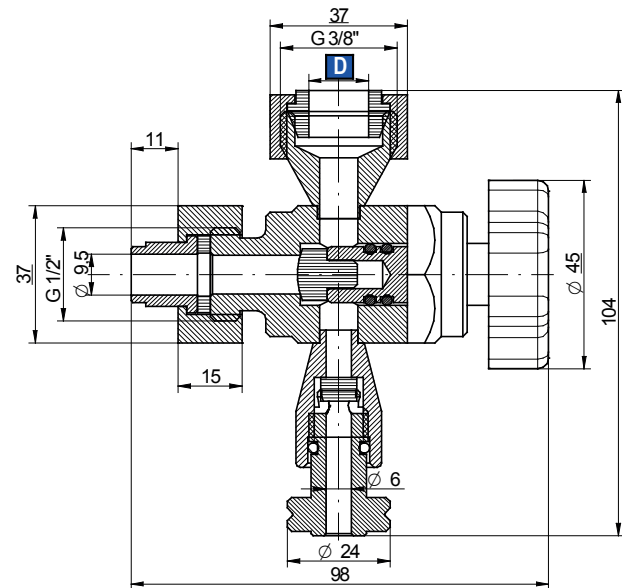


## Bottom level fitting with drain cock.

With weld-in threaded connection, nipple and teflon seal, suitable for level tubes Ø14, Ø16, Ø20, Ø24 mm (pipes not supplied by our company).



Mod.	Material	Weight Kg.
410	304L	0,53
410/B	316L	0,53



# mod. 420/SV

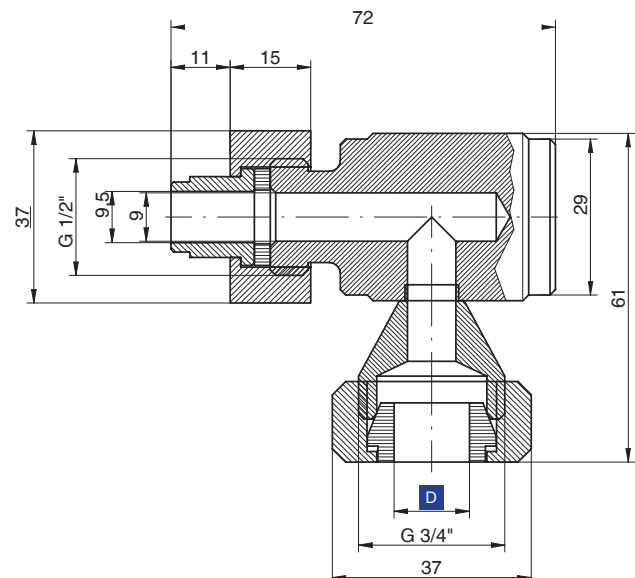


## Top level fitting.

With weld-in threaded connection, nipple and teflon seal, suitable for level tubes Ø14, Ø16, Ø20, Ø24 mm (pipes not supplied by our company).



Mod.	Material	Weight Kg.
420SV	304L	0,4
420SV/B	316L	0,4



## mod. 420

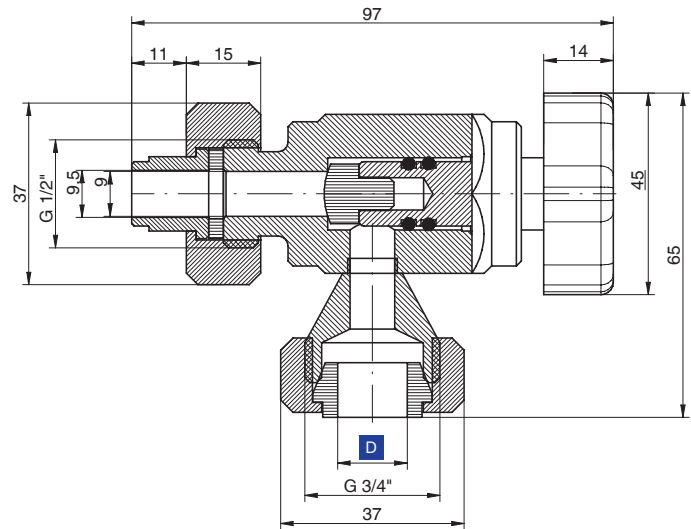


### Top level fitting.

With weld-in threaded connection, nipple and teflon seal, suitable for level tubes Ø14, Ø16, Ø20, Ø24 mm (pipes not supplied by our company).



Mod.	Material	Weight Kg.
420	304L	0,5
420/B	316L	0,5



## mod. 430/B

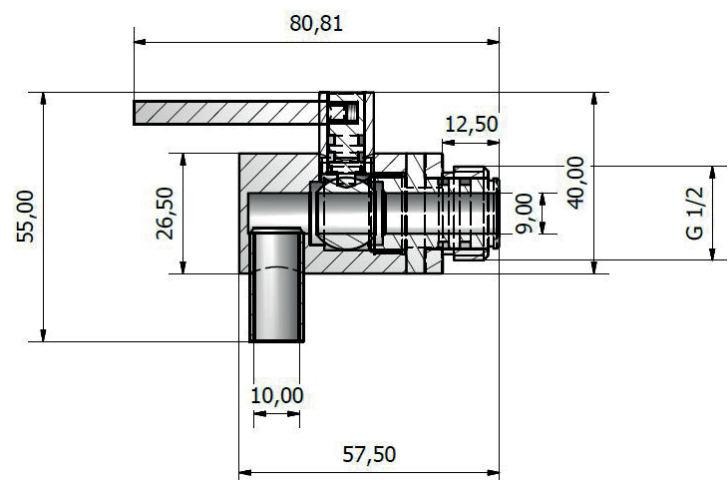


### Oil-sampling valve.

Ball valve, full flow.



Mod.	Material	Weight Kg.
430/B	316L	0,15





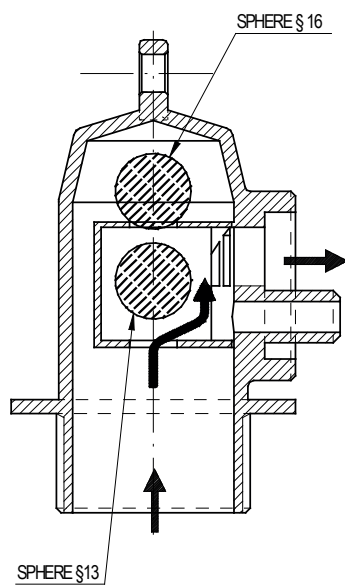
**Relief valve.**

In polyethylene, two-way (pressure and vacuum), maximum flow 130hl/h.

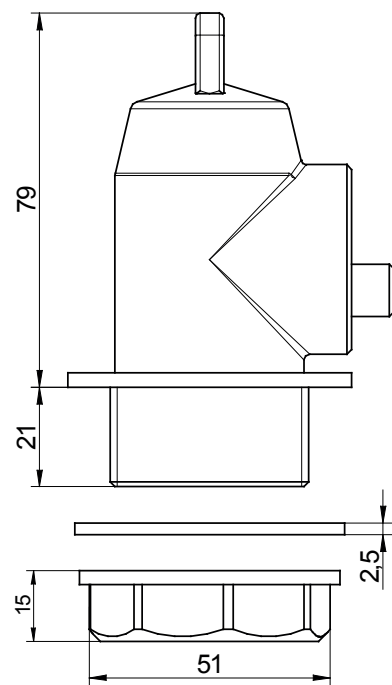
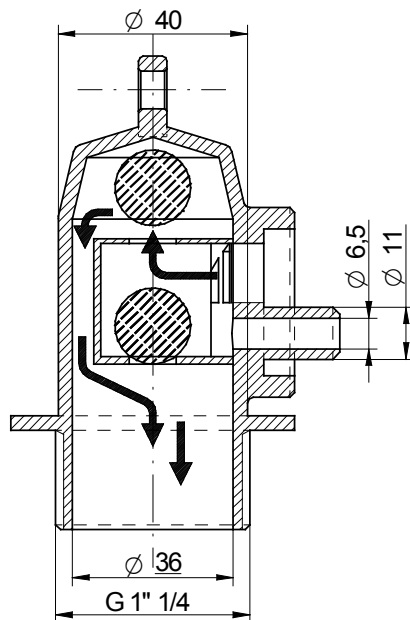
Mod.	Material	Weight Kg.
A-10	polyethylene	0,06



**PRESSURE**



**VACUUM**



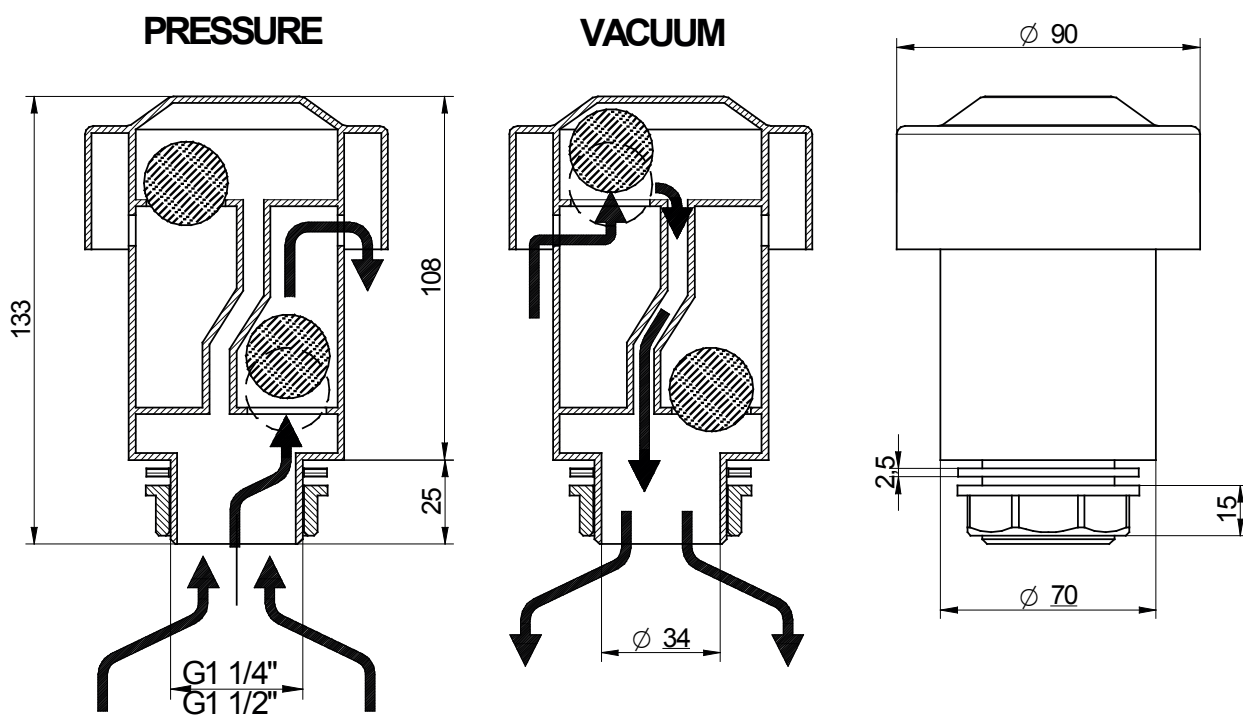




**Relief valve.**

In polyethylene, two-way (pressure and vacuum), maximum flow 400hl/h.

Mod.	Material	Weight Kg.	Gasket
A-20	polyethylene	0,15	G1 1/4"
A-21	polyethylene	0,15	G1 1/2"

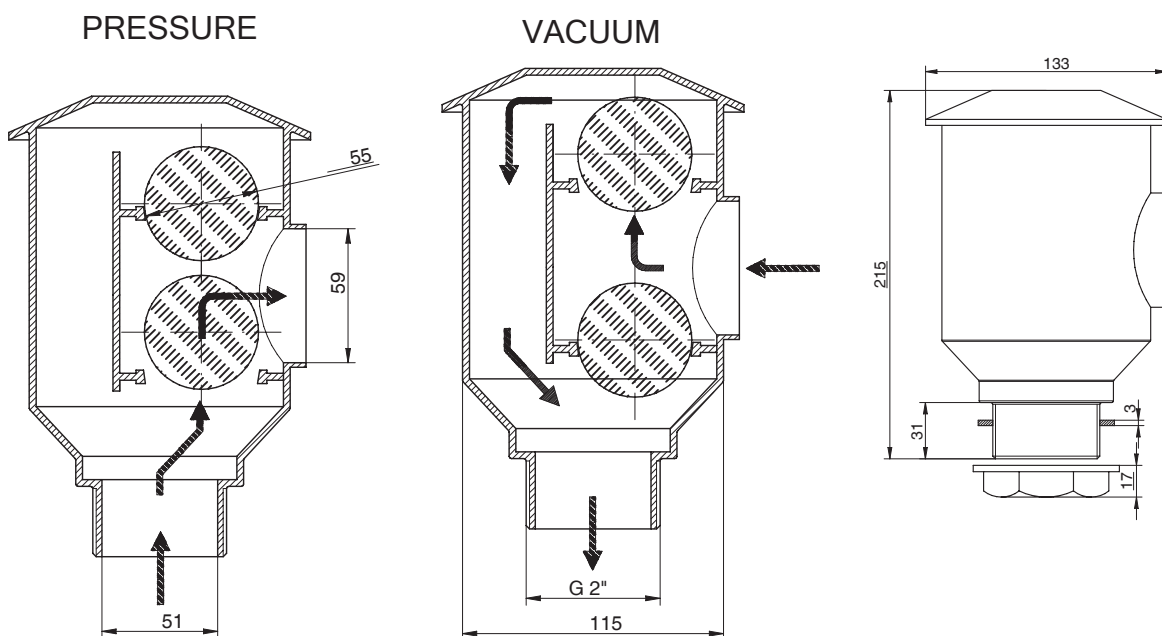




**Relief valve.**

In polyethylene, two-way (pressure and vacuum), maximum flow 800hl/h.

Mod.	Material	Weight Kg.
A-30	polyethylene	0,32





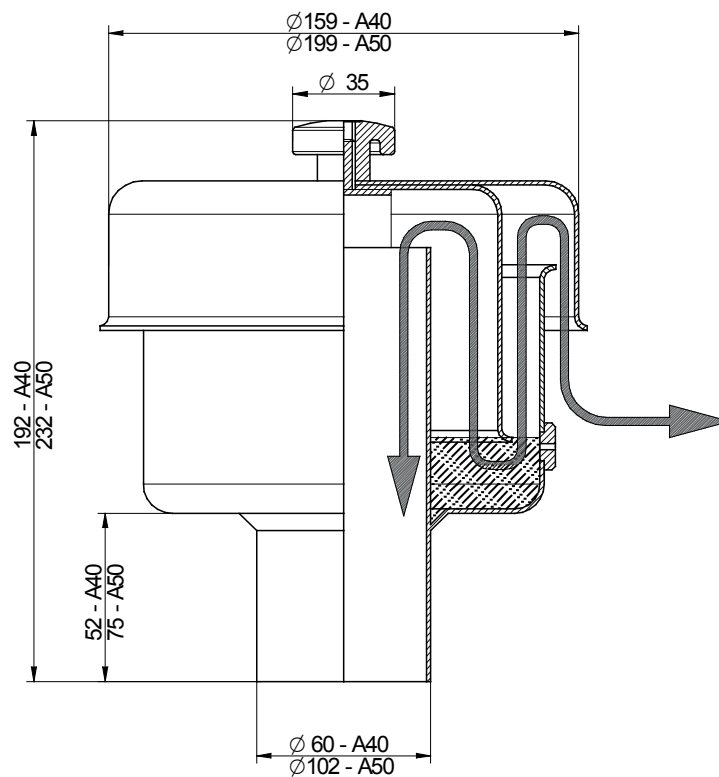
**Relief valve.**

A-40 In stainless steel 316L, two-way (pressure and vacuum) with oil bath working, maximum flow 300 hl/h

**Relief valve.**

A-50 In stainless steel, two-way (pressure and vacuum) with oil bath working, maximum flow 1000 hl/h.

Mod.	Material	Weight Kg.
A-40	316L	1,5
A-50	316L	2,5



## mod. **GRI/F**

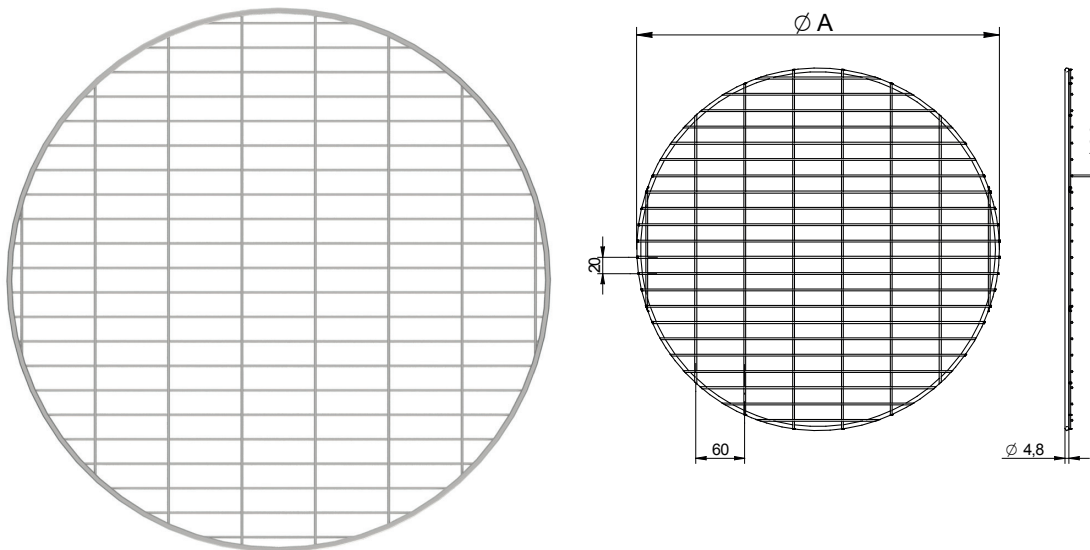


### Wire safety grid for manhole covers, in AISI316L

Available for 200 (\*), 300 (\*), 400, 450, 500, 600 mm diameters.  
Designed to support weights not exceeding 20kg  
Available also with mounting kit.

Mod.	ØA
200*	190
300*	298
400	390
450	445
500	498
600	598

(\*)On request



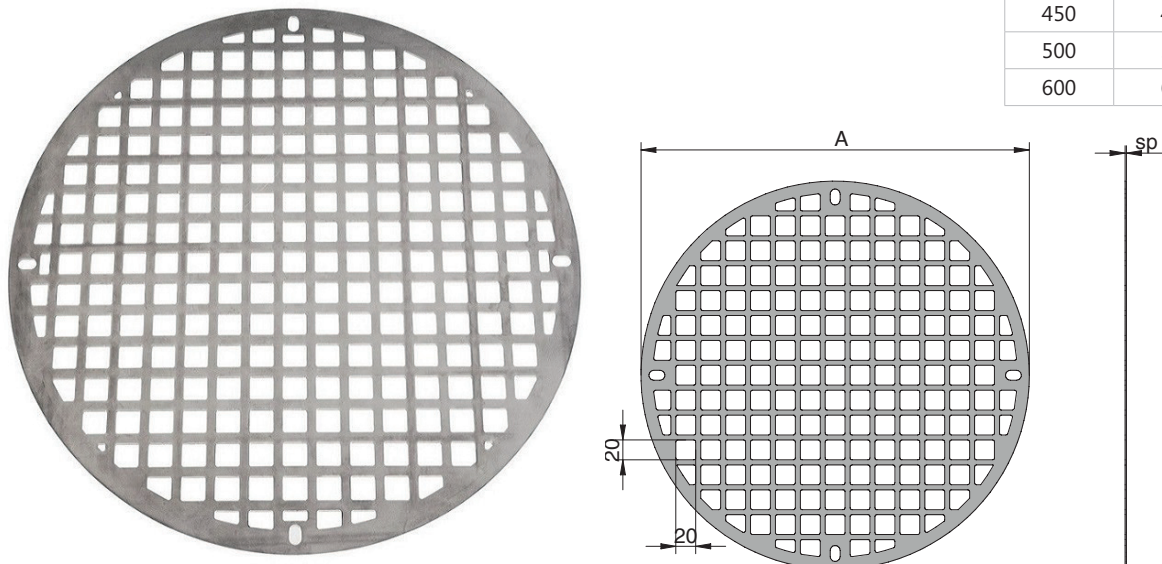
## mod. **GRI/L**



### Laser-cut safety grid for manhole covers, in AISI316L

Available for 200, 300, 400, 450, 500, 600 mm diameters. Designed to support weights not exceeding 20kg.  
Available also with mounting kit.

Mod.	ØA	Sp.
200	190	1,5
300	296	1,5
400	390	1,5
450	436	1,5
500	500	2
600	605	2



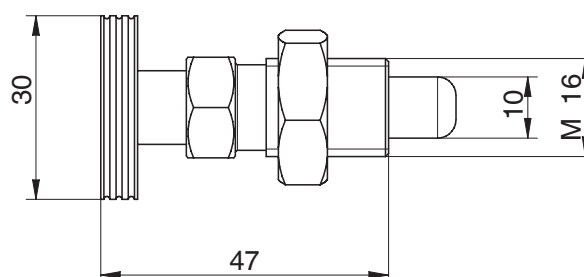
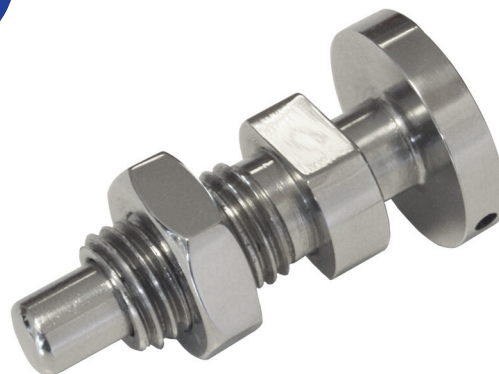


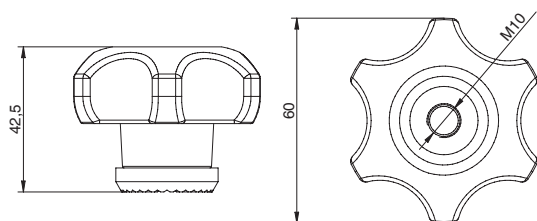
**Shear pin.**

Shear pin for pressure and light pressure manhole covers. The shear pin allows to lock the lid once opened, to prevent accidental closing.

AISI 304

**ATTENTION:** The shear pin must be requested when ordering the pressure cover.

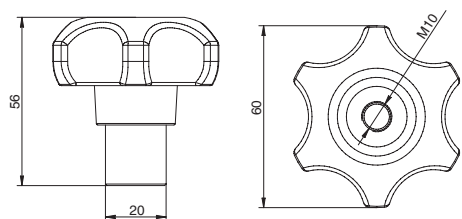




## mod. **MEC/60**



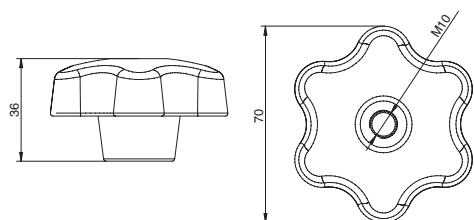
Handwheel Ø 60  
Blue plastic, thread M10



## mod. **MEC/60A**



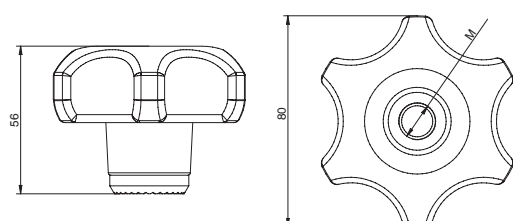
Handwheel Ø 60  
Blue plastic, thread M10



## mod. **MEC/70**



Handwheel Ø 70  
Black plastic, thread M10



## mod. **MEC/80**



Handwheel Ø 80  
Blue plastic, thread M16  
Blue or black plastic, thread M14

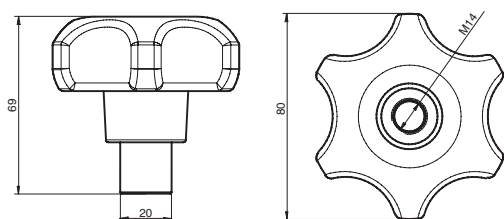




## mod. **MEC/80A**



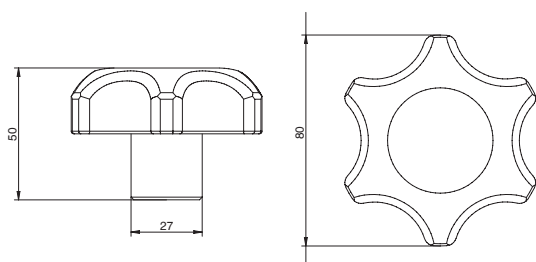
Handwheel Ø 80  
Blue plastic, thread M14



## mod. **MEC/80** Inox



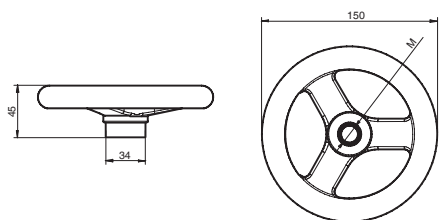
Handwheel Ø 80  
Stainless steel AISI 304.  
thread M10, M12, M14, M16



## mod. **MEC/150**



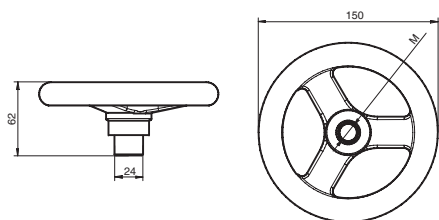
Handwheel Ø 150  
Blu plastic, thread M14, M16



## mod. **MEC/150A**



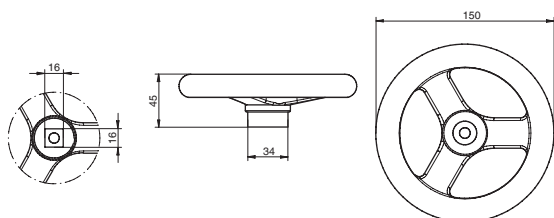
Handwheel Ø 150  
Blu plastic, thread M16



## mod. **MEC/151**



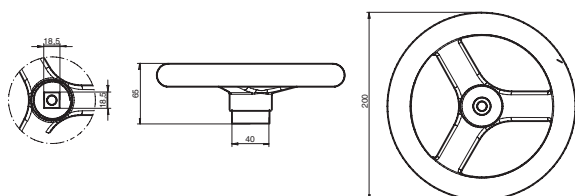
Handwheel Ø 150  
Blu plastic, with aluminium square bush 16x16mm



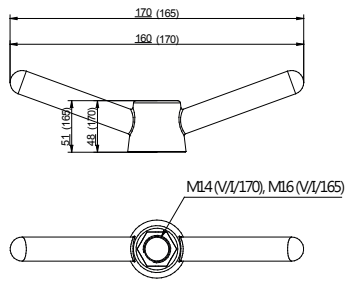
## mod. **MEC/200**



Handwheel Ø 200  
Blu plastic, with aluminium square bush 18x18mm



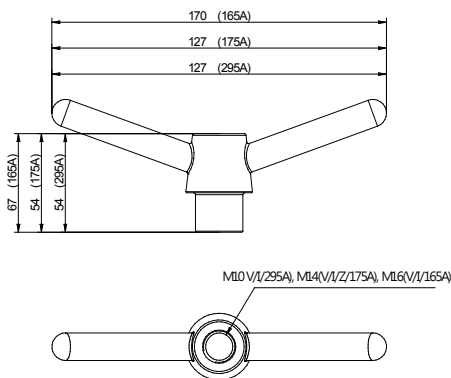
## mod. VI/165-170



Handle.  
Stainless steel AISI 304, brass thread  
M14 for VI/170, M16 for VI/165



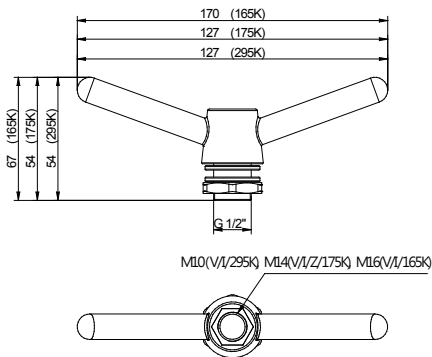
## mod. VI/A



Handle VI/295A-VI/Z175A-VI165A  
Stainless steel AISI 304, brass thread  
M10 for VI/295A, M14 for VI/Z/175A, M16 for  
VI/165A.



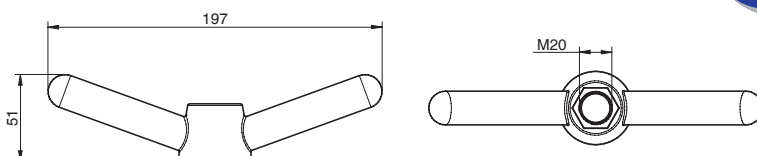
## mod. VI/K



Handle VI/295K-VI175K-VI165K  
Stainless steel AISI 304, brass thread  
M10 for VI/295K, M14 for VI/Z/175K, M16 for  
VI/165K, safety nut and gradual opening system



## mod. VI/190



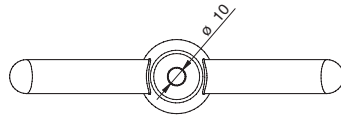
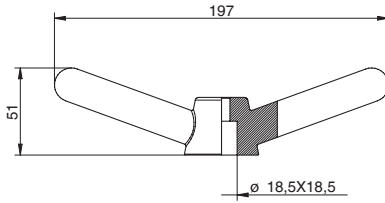
Handle.  
Stainless steel AISI 304, with brass thread M20



## mod. VI/200



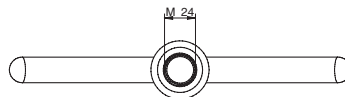
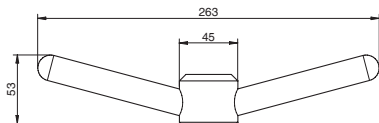
Handle.  
Stainless steel AISI 304, square bush  
18,5x18,5mm



## mod. VI/260



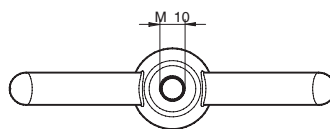
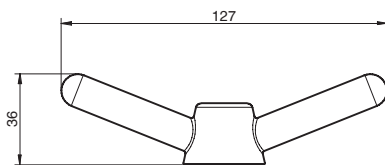
Handle.  
Stainless steel AISI 304, with brass thread M24



## mod. VI/295

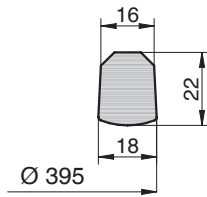


Handle.  
Stainless steel AISI 304, with brass thread M10



## mod. G/170

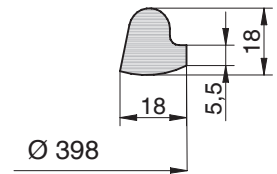
Gasket for models:  
170, 174/AE, 180, 14/L



NEW VERSION			
CODE	COMPOUND	COLOR	Temperature
96210	NBR	WHITE RAL 9016	-30°/110°C
96211	EPDM	GREY RAL 7040	-15°/90°C
96215	SILICONE	TRANSPARENT WHITE	-50°/200°C
96216	FPM	BLACK RAL 9017	-10°/250°C

## mod. G/EL

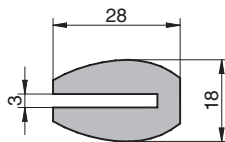
Gasket



OLD VERSION UNTIL AL 05/2002			
CODE	COMPOUND	COLOR	Temperature
96080	NBR	WHITE RAL 9016	-30°/110°C
96081	EPDM	GREY RAL 7040	-15°/90°C
96085	SILICONE	TRANSPARENT WHITE	-50°/200°C
96086	FPM	BLACK RAL 9017	-10°/250°C

## mod. G/15

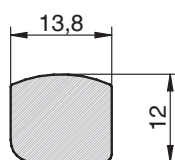
Gasket for models:  
200N-202-203



CODE	COMPOUND	COLOR	Temperature
96000	NBR	WHITE RAL 9016	-30° / 110°C
96001	EPDM	GREY RAL 7040	-15° / 90°C
96005	SILICONE	TRANSPARENT WHITE	-50° / 200°C
96006	FPM	BLACK RAL 9017	-10° / 250°C

## mod. G/480

Gasket for models:  
190, 191,201LW

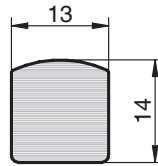


CODE	COMPOUND	COLOR	Temperature
96460	NBR	WHITE RAL 9016	-30° / 110°C
96461	EPDM	GREY RAL 7040	-15° / 90°C
96465	SILICONE	TRANSPARENT WHITE	-50° / 200°C
96466	FPM	BLACK RAL 9017	-10° / 250°C

## mod. G/200LZD



Gasket for models:  
200LZD, 200LZD/C

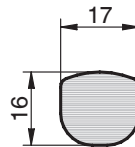


CODE	COMPOUND	COLOR	Temperature
96040	NBR	WHITE RAL 9016	-30° / 110°C
96041	EPDM	GREY RAL 7040	-15° / 90°C
96045	SILICONE	TRANSPARENT WHITE	-50° / 200°C
96046	FPM	BLACK RAL 9017	-10° / 250°C

## mod. G/200PES



Gasket for models:  
200PES, 200PES pivot

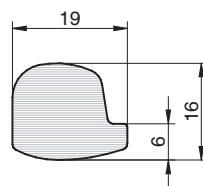


CODE	COMPOUND	COLOR	Temperature
96457	EPDM	DARK GREY	-15° / 90°C
96456	FPM	BLACK RAL 9017	-10° / 250°C

## mod. G/630



Gasket for models:  
630



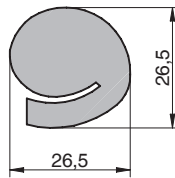
CODE	COMPOUND	COLOR	Temperature
96490	NBR	WHITE RAL 9016	-30° / 110°C
96498	EPDM	GREY RAL 7040	-15° / 90°C
96495	SILICONE	TRANSPARENT WHITE	-50° / 200°C
96496	FPM	BLACK RAL 9017	-10° / 250°C



## mod. G/200R



Gasket for models:  
200R

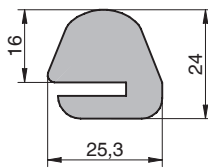


CODE	COMPOUND	COLOR	Temperature
96050	NBR	WHITE RAL 9016	-30/110°C
96051	EPDM	GREY RAL 7040	-15/90°C
96055	SILICONE	TRANSPARENT WHITE	-50/200°C
96056	FPM	BLACK RAL 9017	-10/250°C

## mod. G/200RP



Gasket for models:  
200RP

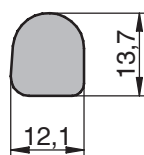


CODE	COMPOUND	COLOR	Temperature
96230	NBR	WHITE RAL 9016	-30/110°C
96231	EPDM	GREY RAL 7040	-15/90°C
96235	SILICONE	TRANSPARENT WHITE	-50/200°C
96236	FPM	BLACK RAL 9017	-10/250°C

## mod. G/Z175



Gasket for models:  
Z175

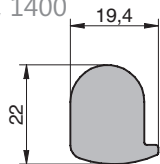


CODE	COMPOUND	COLOR	Temperature
96180	NBR	WHITE RAL 9016	-30/110°C
96181	EPDM	GREY RAL 7040	-15/90°C
96185	SILICONE	TRANSPARENT WHITE	-50/200°C
96186	FPM	BLACK RAL 9017	-10/250°C

## mod. G/1500



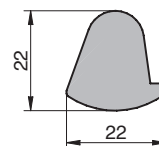
Gasket for models:  
1500, 1500/AI, 1600, 1700, 1400



NEW VERSION			
CODE	COMPOUND	COLOR	Temperature
96420	NBR	WHITE RAL 9016	-30/110°C
96421	EPDM	GREY RAL 7040	-15/90°C
96425	SILICONE	TRANSPARENT WHITE	-50/200°C
96426	FPM	BLACK RAL 9017	-10/250°C



Gasket

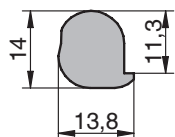


OLD VERSION UNTIL 01/2010			
CODE	COMPOUND	COLOR	Temperature
96030	NBR	WHITE RAL 9016	-30/110°C
96031	EPDM	GREY RAL 7040	-15/90°C
96035	SILICONE	TRANSPARENT WHITE	-50/200°C
96036	FPM	BLACK RAL 9017	-10/250°C

## mod. G/295



Gasket for models:  
285, 295

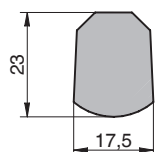


CODE	COMPOUND	COLOR	Temperature
96020	NBR	WHITE RAL 9016	-30/110°C
96021	EPDM	GREY RAL 7040	-15/90°C
96025	SILICONE	TRANSPARENT WHITE	-50/200°C
96026	FPM	BLACK RAL 9017	-10/250°C

## mod. G/R165



Gasket for models:  
160, 165, 160/2B

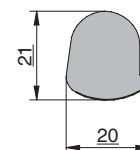


NEW			
CODE	COMPOUND	COLOR	Temperature
96200	NBR	WHITE RAL 9016	-30/110°C
96201	EPDM	GREY RAL 7040	-15/90°C
96205	SILICONE	TRANSPARENT WHITE	-50/200°C
96206	FPM	BLACK RAL 9017	-10/250°C

## mod. G/N165



Gasket

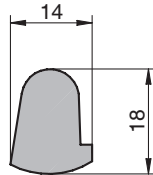


OLD TILL 05/2002			
CODE	COMPOUND	COLOR	Temperature
96090	NBR	WHITE RAL 9016	-30/110°C
96091	EPDM	GREY RAL 7040	-15/90°C
96095	SILICONE	TRANSPARENT WHITE	-50/200°C
96096	FPM	BLACK RAL 9017	-10/250°C

## mod. G/P200



Gasket for models:  
230, 235, 60

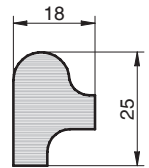
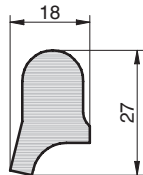


CODE	COMPOUND	COLOR	Temperature
96100	NBR	WHITE RAL 9016	-30/110°C
96101	EPDM	GREY RAL 7040	-15/90°C
96105	SILICONE	TRANSPARENT WHITE	-50/200°C
96106	FPM	BLACK RAL 9017	-10/250°C

## mod. G/AE



Gasket for models:  
220, 220/E, 250, N/250,  
255, 50, 90, 100,  
N/100, 110, C/330



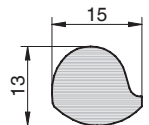
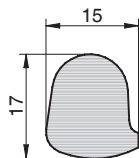
NEW			
CODE	COMPOUND	COLOR	Temperature
96410	NBR	WHITE RAL 9016	-30/110°C
96411	EPDM	GREY RAL 7040	-15/90°C
96415	SILICONE	TRANSPARENT WHITE	-50/200°C
96416	FPM	BLACK RAL 9017	-10/250°C

OLD TILL 09/2009			
CODE	COMPOUND	COLOR	Temperature
96070	NBR	WHITE RAL 9016	-30/110°C
96071	EPDM	GREY RAL 7040	-15/90°C
96075	SILICONE	TRANSPARENT WHITE	-50/200°C
96076	FPM	BLACK RAL 9017	-10/250°C

## mod. G/TR300



Gasket for models:  
210, 215, 240, 245,  
70, 80



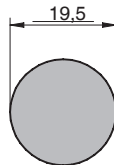
NEW			
CODE	COMPOUND	COLOR	Temperature
96470	NBR	WHITE RAL 9016	-30° / 110°C
96471	EPDM	GREY RAL 7040	-15° / 90°C
96475	SILICONE	TRANSPARENT WHITE	-50° / 200°C
96476	FPM	BLACK RAL 9017	-10° / 250°C

OLD TILL AL 09/2010			
CODE	COMPOUND	COLOR	Temperature
96160	NBR	WHITE RAL 9016	-30/110°C
96161	EPDM	GREY RAL 7040	-15/90°C
96165	SILICONE	TRANSPARENT WHITE	-50/200°C
96166	FPM	BLACK RAL 9017	-10/250°C

## mod. G/TR500



Gasket for models:  
520, 270, N/270, 275,  
150, N/150

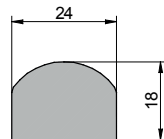


CODE	COMPOUND	COLOR	Temperature
96170	NBR	WHITE RAL 9016	-30° / 110°C
96171	EPDM	GREY RAL 7040	-15° / 90°C
96175	SILICONE	TRANSPARENT WHITE	-50° / 200°C
96176	FPM	BLACK RAL 9017	-10° / 250°C

## mod. G/6V250



Gasket for models:  
6V/250

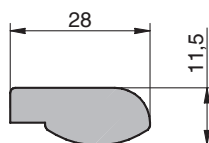


CODE	COMPOUND	COLOR	Temperature
96060	NBR	WHITE RAL 9016	-30/110°C
96061	EPDM	GREY RAL 7040	-15/90°C
96065	SILICONE	TRANSPARENT WHITE	-50/200°C
96066	FPM	BLACK RAL 9017	-10/250°C

## mod. G/NL250



Gasket for models:  
N/240/4V, N/240, NL/250

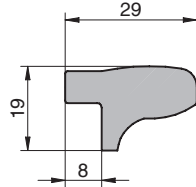


CODE	COMPOUND	COLOR	Temperature
96220	NBR	WHITE RAL 9016	-30/110°C
96221	EPDM	GREY RAL 7040	-15/90°C
96225	SILICONE	TRANSPARENT WHITE	-50°/200°C
96226	FPM	BLACK RAL 9017	-10/250°C

## mod. 400AZ/NL



Gasket for models:  
400/AZ-NL

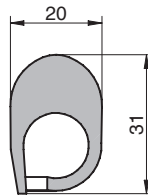


CODE	COMPOUND	COLOR	Temperature
96430	NBR	WHITE RAL 9016	-30/110°C
96431	EPDM	GREY RAL 7040	-15/90°C
96435	SILICONE	TRANSPARENT WHITE	-50/200°C
96436	FPM	BLACK RAL 9017	-10/250°C

## mod. 400AZ/GN



Gasket for models:  
400/AZ-GN

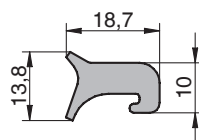


CODE	COMPOUND	COLOR	Temperature
96330	NBR	WHITE RAL 9016	-30/110°C
96331	EPDM	GREY RAL 7040	-15/90°C

## mod. G/T200



Gasket for models:  
N/230, T1/200, 3V/200

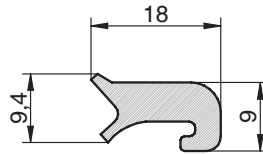


CODE	COMPOUND	COLOR	Temperature
96360	NBR	WHITE RAL 9016	-30/110°C
96361	EPDM	GREY RAL 7040	-15/90°C
96365	SILICONE	TRANSPARENT WHITE	-50/200°C
96366	FPM	BLACK RAL 9017	-10/250°C

## mod. G/T300



Gasket for models:  
T1/300, 3V/300

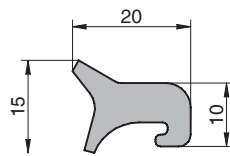


CODE	COMPOUND	COLOR	Temperature
96300	NBR	WHITE RAL 9016	-30/110°C
96301	EPDM	GREY RAL 7040	-15/90°C
96305	SILICONE	TRANSPARENT WHITE	-50/200°C
96306	FPM	BLACK RAL 9017	-10/250°C

## mod. G/T400



Gasket for models:  
TV/400, T1/400, T1/G400, 4V/400

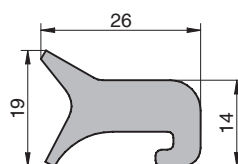


CODE	COMPOUND	COLOR	Temperature
96370	NBR	WHITE RAL 9016	-30/110°C
96371	EPDM	GREY RAL 7040	-15/90°C
96375	SILICONE	TRANSPARENT WHITE	-50/200°C
96376	FPM	BLACK RAL 9017	-10/250°C

## mod. G/T450



Gasket for models:  
TV/450, T1/450, T/450, T1/G450,  
5V/450



CODE	COMPOUND	COLOR	Temperature
96380	NBR	WHITE RAL 9016	-30/110°C
96381	EPDM	GREY RAL 7040	-15/90°C
96385	SILICONE	TRANSPARENT WHITE	-50/200°C
96386	FPM	BLACK RAL 9017	-10/250°C

## mod. G/N300



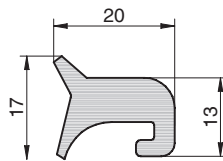
Gasket for models:  
N/300

CODE	COMPOUND	COLOR	Temperature
96340	NBR	WHITE RAL 9016	-30/110°C
96341	EPDM	GREY RAL 7040	-15/90°C
96345	SILICONE	TRANSPARENT WHITE	-50/200°C
96346	FPM	BLACK RAL 9017	-10/250°C

## mod. G/T500



Gasket for models:  
TV/500, T1/500, T/500, T1/G500,  
6V/500

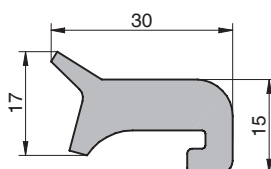


CODE	COMPOUND	COLOR	Temperature
96310	NBR	WHITE RAL 9016	-30° / 110°C
96311	EPDM	GREY RAL 7040	-15° / 90°C
96315	SILICONE	TRANSPARENT WHITE	-50° / 200°C
96316	FPM	BLACK RAL 9017	-10° / 250°C

## mod. G/T600



Gasket for models:  
TV/600, T1/600, T/600, 8V/600



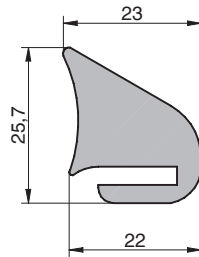
CODE	COMPOUND	COLOR	Temperature
96320	NBR	WHITE RAL 9016	-30/110°C
96321	EPDM	GREY RAL 7040	-15/90°C
96325	SILICONE	TRANSPARENT WHITE	-50/200°C
96326	FPM	BLACK RAL 9017	-10/250°C



## mod. G/800



Gasket for models:  
T1/800, 10V/800

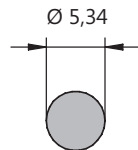


CODE	COMPOUND	COLOR	Temperature
96350	NBR	WHITE RAL 9016	-30/110°C
96351	EPDM	GREY RAL 7040	-15/90°C

## mod. G/300P



Gasket for models:  
300L-300LE-300P

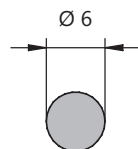


CODE	COMPOUND	COLOR	Temperature
96600	NBR	WHITE RAL 9016	-30° / 110°C
96601	EPDM	GREY RAL 7040	-15° / 90°C
96605	SILICONE	TRANSPARENT WHITE	-50° / 200°C
96606	FPM	BLACK RAL 9017	-10° / 250°C

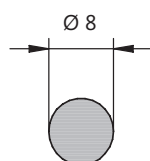
## mod. G/400P



Gasket for models:  
400L-400LE-400P



OLD TILL 08-2018			
CODE	COMPOUND	COLOR	Temperature
96250	NBR	WHITE RAL 9016	-30° / 110°C
96251	EPDM	GREY RAL 7040	-15° / 90°C
96255	SILICONE	TRANSPARENT WHITE	-50° / 200°C
96256	FPM	BLACK RAL 9017	-10° / 250°C

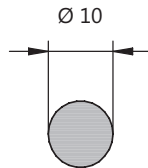


NEW from 08-2018			
CODE	COMPOUND	COLOR	Temperature
96010	NBR	WHITE RAL 9016	-30° / 110°C
96011	EPDM	GREY RAL 7040	-15° / 90°C
96015	SILICONE	TRANSPARENT WHITE	-50° / 200°C
96016	FPM	BLACK RAL 9017	-10° / 250°C

## mod. G/450P



Gasket for models:  
450L-450LE-450P-201FLT

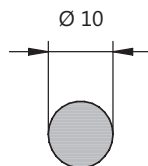


CODE	COMPOUND	COLOR	Temperature
96260	NBR	WHITE RAL 9016	-30° / 110°C
96261	EPDM	GREY RAL 7040	-15° / 90°C
96265	SILICONE	TRANSPARENT WHITE	-50° / 200°C
96266	FPM	BLACK RAL 9017	-10° / 250°C

## mod. G/500P



Gasket for models:  
500L-500LE-500P

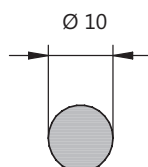


CODE	COMPOUND	COLOR	Temperature
96270	NBR	WHITE RAL 9016	-30/110°C
96271	EPDM	GREY RAL 7040	-15/90°C
96275	SILICONE	TRANSPARENT WHITE	-50/200°C
96276	FPM	BLACK RAL 9017	-10/250°C

## mod. G/600P



Gasket for models:  
600L-600LE-600P



CODE	COMPOUND	COLOR	Temperature
96280	NBR	WHITE RAL 9016	-30° / 110°C
96281	EPDM	GREY RAL 7040	-15° / 90°C
96285	SILICONE	TRANSPARENT WHITE	-50° / 200°C
96286	FPM	BLACK RAL 9017	-10° / 250°C

Manways internal roughness		
MOD.	COVER Ra	FRAME Ra
170	<0,8	> 3
170L	<0,8	> 3
174/AE	<0,8	> 3
180 - 180SN	<0,8	> 3
190 - 191	<0,8	> 2
200N	<0,8	> 3
202 - 203	<0,8	> 3
206	<0,8	> 3
200LZD	<0,8	> 3
200LZD/C	<0,8	> 3
201/LW	<0,8	> 3
207LZD	<0,8	> 3
201FLT	<0,8	> 3
200PES	<0,8	> 3
630	<0,8	> 3
200/R	<0,8	> 3
200/RP	<0,8	> 3
N230/2V	<0,8	<0,8 (1)
210	<0,8	<0,8 (1)
215	<0,8	<0,8 (1)
220	<0,8	> 3
220/E	<0,8	<0,8 (1)
520	<0,8	> 3
Z/175	<0,8	> 3
285	<0,8	> 3
295	<0,8	> 3
160 - 160/2B	<0,8	> 3
165	<0,8	> 3
1500	<0,8	> 3
1600	<0,8	> 3
1603	<0,8	> 3
1700	<0,8	> 3

Pressure manholes internal roughness		
MOD.	COVER Ra	FRAME Ra
300L	< = 0,8	< = 0,6 (1)
400L	< = 0,8	< = 0,6 (1)
450L	< = 0,8	< = 0,6 (1)
500L	< = 0,8	< = 0,6 (1)
600L	< = 0,8	< = 0,6 (1)
300L/E	< = 0,8	< = 0,8 (1)
400L/E	< = 0,8	< = 0,8 (1)
450L/E	< = 0,8	< = 0,8 (1)
500L/E	< = 0,8	< = 0,8 (1)
600L/E	< = 0,8	< = 0,6 (1)
300P	< = 0,8	< = 0,6 (1)
400P	< = 0,8	< = 0,6 (1)
450P	< = 0,8	< = 0,6 (1)
500P	< = 0,8	< = 0,6 (1)
600P	< = 0,8	< = 0,6 (1)

\* Lower values on request  
(1) excluding welds

Manholes internal roughness		
MOD.	COVER Ra	FRAME Ra
230	<0,8	<0,8 (1)
240	<0,8	<0,8 (1)
250	<0,8	<0,8 (1)
270	<0,8	<0,8 (1)
N230	<0,8	<0,8 (1)
N300	<0,8	<0,8 (1)
N240	<0,8	<0,8 (1)
400AZ	<0,8	<0,8 (1)
N250	<0,8	<0,8 (1)
N270	<0,8	<0,8 (1)
NL250N	<0,8	<0,8 (1)
TV400	<0,8	<0,8 (1)
TV450	<0,8	<0,8 (1)
TV500	<0,8	<0,8 (1)
TV600	<0,8	<0,8 (1)
T1/200	<=0,6	<=0,6 (1)
T1/300	<=0,6	<=0,6 (1)
T1/400	<=0,6	<=0,6 (1)
T1/450	<=0,6	<=0,6 (1)
T1/500	<=0,6	<=0,6 (1)
T1/600	<=0,6	<=0,6 (1)
T1A/200	<=0,5	<=0,5
T1A/300	<=0,5	<=0,5
T1A/400	<=0,5	<=0,5
T1A/450	<=0,5	<=0,5
T1A/500	<=0,5	<=0,5
T1A/600	<=0,5	<=0,5
T1/800	<0,8	<0,8 (1)
T400	<0,8	<0,8 (1)
T450	<0,8	<0,8 (1)
T500	<0,8	<0,8 (1)
T600	<0,8	<0,8 (1)
T1/G400	<0,8	<0,8 (1)
T1/G450	<0,8	<0,8 (1)
T1/G500	<0,8	<0,8 (1)
235	<0,8	<0,8 (1)
245	<0,8	<0,8 (1)
255	<0,8	<0,8 (1)
275	<0,8	<0,8 (1)
N240/4V	<0,8	<0,8 (1)
3V/200	<0,8	<0,8 (1)
3V/300	<0,8	<0,8 (1)
4V/400	<0,8	<0,8 (1)
5V/450	<0,8	<0,8 (1)
6V/250N	<0,8	<0,8 (1)
6V/500	<0,8	<0,8 (1)
8V/600	<0,8	<0,8 (1)
10V/800	> 3	< 1

Manholes for fiberglass tanks- internal roughness		
MOD.	COVER Ra	
14/L	<0,8	
50	<0,8	
1400	<0,8	
60	<0,8	
70	<0,8	
80	<0,8	
90	<0,8	
100	<0,8	
N/100	<0,8	
110	<0,8	
150	<0,8	
N/150	<0,8	
C/330	<0,8	

# Zorzini Spa general terms and conditions of sales.

- 1. General.** These General Terms and Conditions of Sale, together with the Order Confirmation ("Terms"), govern, to the exclusion of all other terms, the sale ("Contract") of the ZORZINI S.p.A. ("Seller" or "ZORZINI") Products to the Customer. "Customer" is defined as the direct purchaser of the Products from Zorzini. The Terms shall prevail over any conflicting clauses contained in Customer's general terms and conditions of purchase, which shall have no effect. The Terms supersede any and all previous agreements and understandings, whether written or oral, between the Parties with respect to the subject matter. In the event of contradiction between the various documents composing the Contract referred to above, the first listed document shall prevail over the others in the following order of precedence: (1) The Order Confirmation, (2) These General Terms and Conditions, (3) The Offer, if any, and (4) the Order. No modification of these General Conditions shall be considered as accepted unless agreed to by the Parties in a written amendment making reference to the provision so amended.
- 2. Orders. Confirmation.** Orders for the Products will only be binding on ZORZINI upon ZORZINI's written Order Confirmation.
- 3. Packaging and shipping.** Packaging shall be free of charge for orders in excess of Euros 300. For orders below Euros 300, packaging shall be invoiced to Customer at Euros 10.00 per shipment or at cost for special pallets or extra packaging requirements. Shipping terms shall be Ex Works (Incoterms 2010), ZORZINI's Factory, Udine, Italy, and the risk of loss passes in accordance with such terms. The estimated time for shipment shall be as indicated in the Order Confirmation. All shipping and delivery dates are subject to timely receipt of Customer's payment and documents, and are to be considered approximate and not of the essence.
- 4. Payment.** The full purchase price for the Products (the "Purchase Price") is due and payable according to the conditions set forth in the Order Confirmation. All quoted prices are in Euros. If any payment is not made when due, in addition to Seller's other rights and remedies Customer shall be liable for late interest charge calculated as follows: - for USA and Canada: at the lesser of (i) one and one-half percent per month or (ii) the highest rate permitted by law; - for EU and the rest of the world: according to the UE regulation at time in force (EU directive 2011/7/EU). In case of dispute, Purchaser shall have no right to setoff or withhold any payment due.
- 5. Inspection.** Customer shall inspect the Product upon its arrival at the delivery destination and shall within eight (8) business days after delivery give written notice to Seller of any claim for damages, defects, differences in quantity or nonconformity. Failure to give such notice within said period shall constitute irrevocable acceptance of the Products and acknowledgment that the Products have been received by Customer in good condition and free of damages.
- 6. Cancellation; Return policy.** All orders received are final. No Product shall be returned to or accepted for return by ZORZINI without prior written authorization from ZORZINI. All returns are subject to Seller's inspection upon receipt. Credit will not be allowed for damaged or used material. Seller in its sole discretion, may apply standard restocking charges for the returned goods value. All goods authorized for return are to be shipped prepaid to Seller.
- 7. Title and right of possession.** Title to the Products shall remain with Seller until the Purchase Price has been paid in full. Seller shall have the right to file a UCC-1 Financing Statement to perfect a security interest on the Products and any proceeds of sale of the Products.
- 8. Customer's default.** In addition to any other remedy available to Seller, if (i) Customer defaults in payment of any part of the Purchase Price when due, (ii) Customer fails to perform its obligations under the Contract, (iii) Customer becomes insolvent or bankrupt or a petition for appointment of a receiver is filed by or against Customer, (iv) Customer makes an assignment for the benefit of its creditors, or (v) Seller reasonably deems that collection of the Purchase Price is insecure, then the full amount of the Purchase Price then unpaid shall become immediately due at the sole option of Seller, and if not paid immediately, Customer shall return the Products to Seller on demand and at Customer's sole cost. Seller shall retain all payments of the Purchase Price made prior to such an event as liquidated damages and not as a penalty.
- 9. Limited warranty.** (a) The Products are guaranteed for a period of Twelve (12) months from delivery Ex Works (the "Warranty Period") against defects in materials and workmanship. This limited warranty shall not apply if (i) the Products are not used for the intended purpose and are not installed, used, or maintained in accordance with the Installation and Maintenance Instructions provided by ZORZINI ("ZORZINI Manual"), (ii) any such defect results from causes external to the Product after delivery or use of non-original spare parts, or (iii) the Product has been modified without the prior written consent of ZORZINI. ZORZINI's obligation under this warranty shall be limited, at its sole option, to the repair or replacement of any defective Product. ZORZINI shall not be responsible for the cost of removal or installation of any such product found to be defective or shipment of the replacement product. If requested by ZORZINI, Customer shall return any Products found to be defective to ZORZINI, shipping prepaid by Customer, for inspection once an authorization number is granted from ZORZINI. Normal wear items such as gaskets are excluded from this warranty. ZORZINI shall not be liable under this warranty unless the complaint is submitted promptly after discovery of the defect, customer provides a detailed description of the problem, and ZORZINI establishes to its sole satisfaction that the Product has been properly installed, maintained and operated. The remedy set forth in this Warranty shall be the Customer's sole and exclusive remedy for claims that arise out of or relate to the Product. The Customer waives any other right or remedy, whether in contract (for breach of contract, breach of warranty or otherwise), in tort (for negligence, strict liability, misrepresentation or otherwise), in equity, under any statute, rule or regulation or upon any other basis. (b) ZORZINI HAS MADE AVAILABLE TO CUSTOMER THE ZORZINI MANUAL, WHICH IS AVAILABLE AT [WWW.ZORZINISPA.COM](http://WWW.ZORZINISPA.COM). ANY REALES OR INSTALLATIONS BY CUSTOMER OF THE PRODUCTS TO THIRD PARTIES MUST BE ACCOMPANIED BY THE ORIGINAL ZORZINI MANUAL OR A COMPLETE REPRODUCTION OF THE SAME. CUSTOMER SHALL BE RESPONSIBLE FOR ANY DAMAGES WHICH MAY DERIVE FROM CUSTOMER'S FAILURE TO MAKE THE ZORZINI MANUAL AVAILABLE TO ITS CUSTOMERS. (c) The Customer acknowledges that the manway doors and covers are shipped assembled. Disassembling them and pairing them other than to the originally coupled part could cause misalignment and malfunction. It is the Customer's responsibility to ensure that the manway doors and covers are not decoupled. (d) NO OTHER WARRANTIES. THE WARRANTIES IN THIS SECTION ARE IN LIEU OF ALL OTHER WARRANTIES, EITHER EXPRESSED OR IMPLIED AND OF ALL OTHER WARRANTIES OR LIABILITIES OF ANY KIND. ZORZINI NEITHER ASSUMES NOR AUTHORIZES ANY OTHER PERSON TO ASSUME FOR ZORZINI ANY OTHER OBLIGATION, WARRANTY OR LIABILITY IN CONNECTION WITH THE PRODUCTS. EXCEPT FOR THE EXPRESS WARRANTIES SET FORTH HEREIN, CUSTOMER ACKNOWLEDGES AND AGREES THAT ZORZINI HAS NOT MADE AND SHALL NOT BE DEEMED TO HAVE MADE, AND HAS EXPRESSLY DISCLAIMED, ANY REPRESENTATION OR WARRANTY, EXPRESS OR IMPLIED, AS TO THE CONDITION, VALUE, DESIGN, OPERATION, MERCHANTABILITY OR FITNESS FOR USE FOR ANY PARTICULAR PURPOSE OF THE PRODUCTS OR ANY PART THEREOF. THE SELLER DISCLAIMS ANY WARRANTY IF THE PRODUCT HAS NOT BEEN PROPERLY INSTALLED, USED OR MAINTAINED, OR IF SPARE PARTS AND COMPONENTS NOT MANUFACTURED BY OR ON BEHALF OF ZORZINI HAVE BEEN USED.
- 10. Limitation of liability.** NOTWITHSTANDING ANYTHING IN THE SALE CONTRACT TO THE CONTRARY, WHETHER SUCH LIABILITY IS A RESULT OF A BREACH OF CONTRACT, A BREACH OF WARRANTY, OR OTHERWISE, ZORZINI'S LIABILITY IS LIMITED TO THE VALUE OF THE PRODUCT, AND IN NO EVENT SHALL ZORZINI BE LIABLE TO CUSTOMER FOR ANY PUNITIVE, INCIDENTAL OR CONSEQUENTIAL DAMAGES, INCLUDING BUT NOT LIMITED TO, DAMAGES RESULTING FROM LOSS OF USE OF THE PRODUCT, LOSS OF PRODUCTION, LOSS OF THE CONTENT OF THE TANK, OR LOSS OF PROFITS OR INCOME.
- 11. Trademarks.** Customer acknowledges ZORZINI's exclusive right, title and interest in and to the ZORZINI trademarks and any and all ZORZINI intellectual property rights pertaining to the Product. Customer shall not take any act or step impairing ZORZINI's intellectual property rights or do anything that may otherwise adversely affect the ZORZINI intellectual property rights.
- 12. Force majeure.** Seller shall not be responsible for delays or failure to fulfill any obligation under the Contract due to strikes, fire, acts of nature, acts of God, embargoes, currency restrictions, labor shortages, war, terrorism, epidemics, civil riot, import or export restrictions, shortage of materials, or any other cause beyond Seller's reasonable control, even if Seller knew, had reason to believe, or was advised of the possibility of any such cause.
- 13. Taxes. Duty and permits.** Sales tax, value added, property, use, excise, occupational tax or any other Federal, state or municipal tax, duties or surcharges, permit fees, registration and inspection fees and costs have not been included in the Purchase Price, and Customer hereby assumes and agrees to pay and/or reimburse Seller for any of the above taxes, assessments, duties, or fees.
- 14. Waiver.** The failure of either party to enforce at any time any of the provisions of the Contract shall not be construed to be a waiver of such provisions or of the right of such party thereafter to enforce any such provisions. All terms of the Contract are deemed to be fully set forth herein, and no agent, salesman, or other party, is authorized to bind Seller by an agreement or warranty not set forth herein. The parties status is that of independent contracting vendor and Customer. In the event any provision of the Contract proves to be invalid or unenforceable, such provision shall be disregarded and the non conflicting valid provisions of the Contract shall remain in full force and effect.
- 15. Disputes. Attorney's fees.** The Court of Udine shall have jurisdiction over any dispute between the Parties arising out of this Agreement. The prevailing party in any dispute shall be entitled to recover reasonable attorney's fees and costs from the other party.
- 16. Entire agreement.** The Contract represents the entire agreement between Seller and Customer and supersedes all prior negotiations, representations or agreements, express or implied. The Contract may be amended only by written instrument signed by Seller and Customer.



**Zorzini S.p.a.**

Via delle Industrie n.55

33050 Lauzacco, Pavia di Udine - ITALY

Tel. (+39) 0432 675429 - Fax (+39) 0432 675551

[www.zorzinispa.com](http://www.zorzinispa.com) - [info@zorzinispa.com](mailto:info@zorzinispa.com)

*Edition 04/2019*