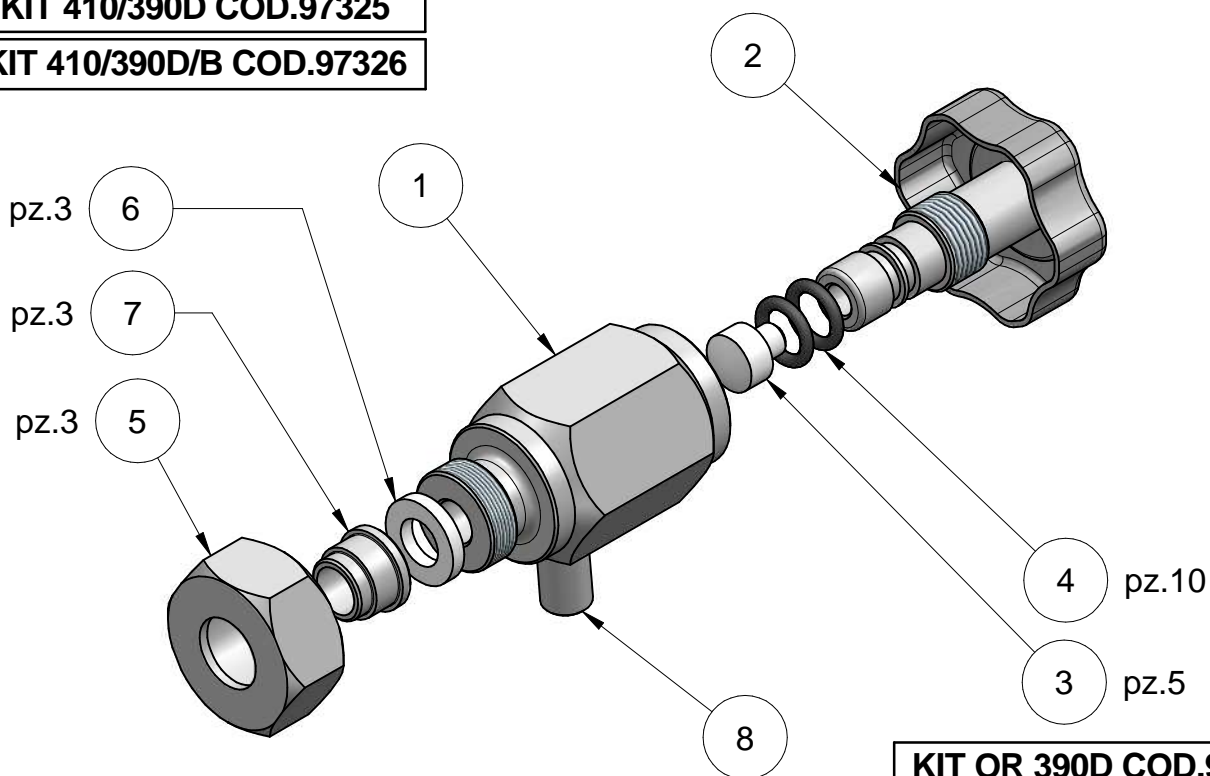




KIT 410/390D COD.97325

KIT 410/390D/B COD.97326



KIT OR 390D COD.97330

COD. F8A050 (304L) - F8B050 (316L)			
Nr.	Article No.	Designation	Qty
1	8A003	BODY HEXAGON	1
2	F8A400	SET SPINDLE WITH HANDLE+OR+PIN (teflon)	1
3	97079	PIN	1
4	97072	GASKET OR	2
5	8A051	NUT G1/2"	1
6	97066	GASKET §18	1
7	8A043	PIPE §17 L=12	1
8	8A022	PIPE	1